
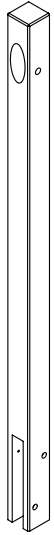
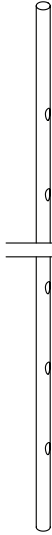








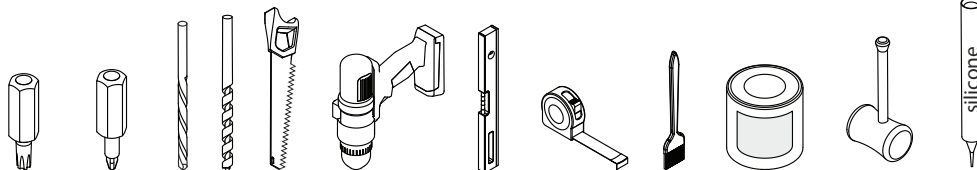
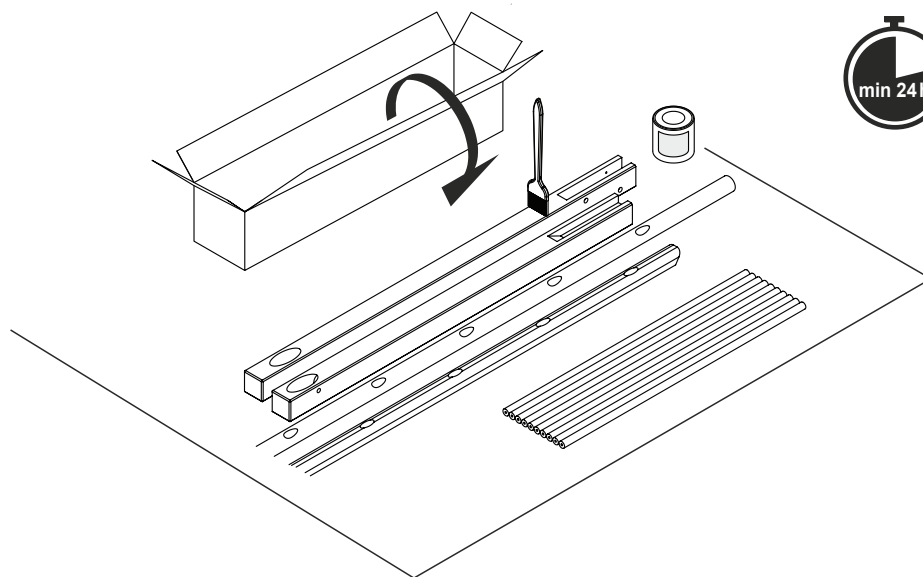


- A.....CM
- B.....CM
- C.....CM
- D.....CM
- E.....CM

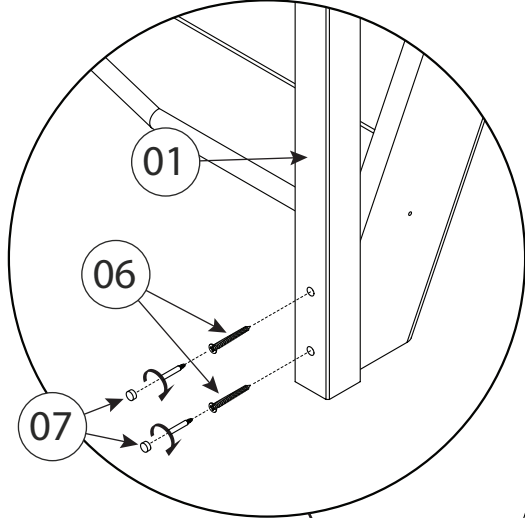
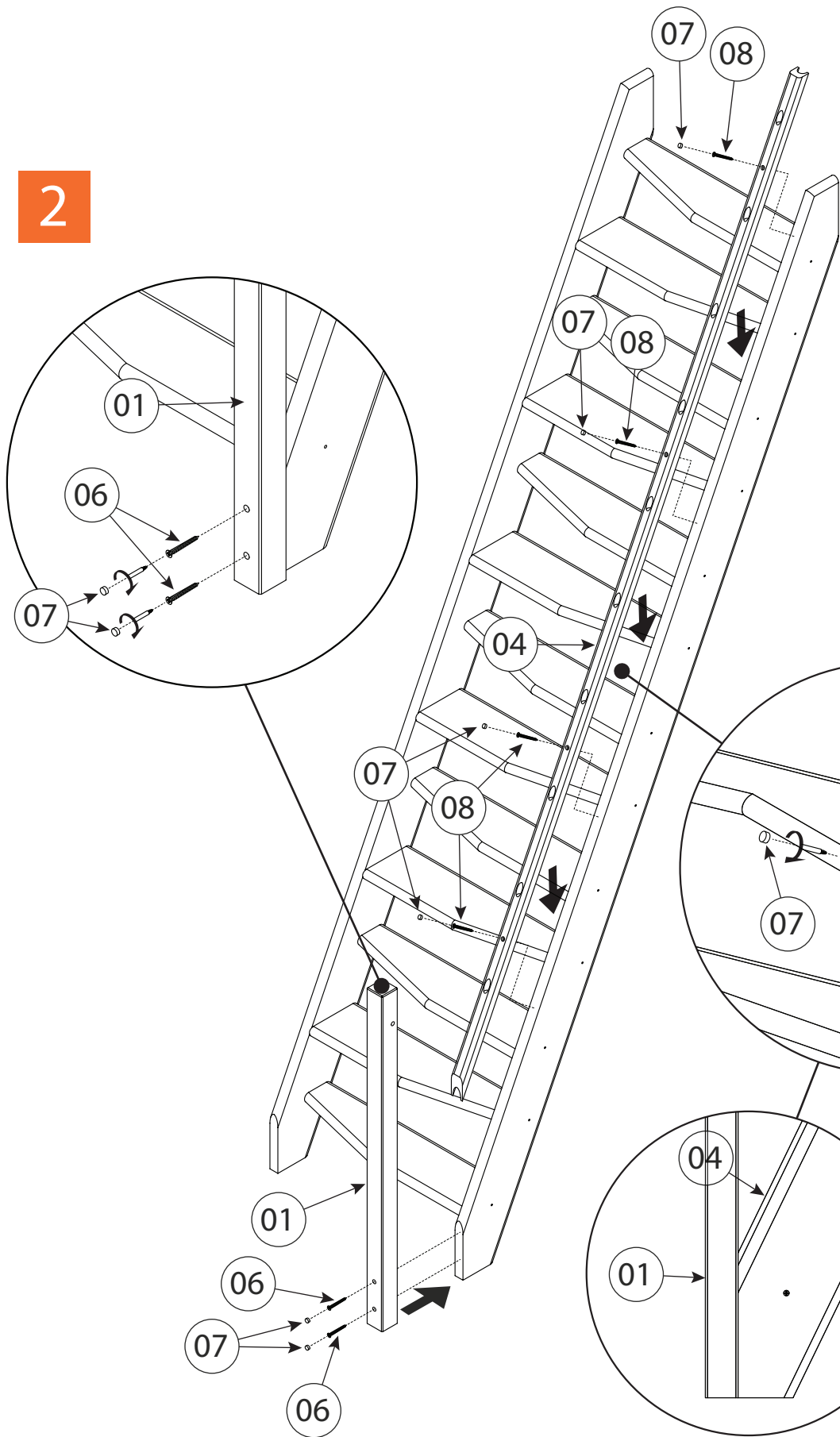
01	60x60x1100	02	60x60x1200	03	Ø40x3200	04	32x42x3013	05	Ø18x775 metal RAL 9005	06	Ø5x60	07	Ø12x5	08	Ø4x40
															
x1		x1		x1		x1		x10		x2		x12+2	x10+1		
															
															

1

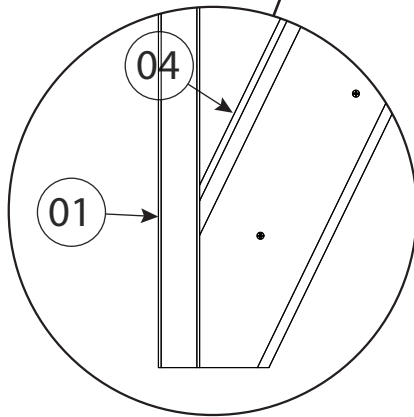
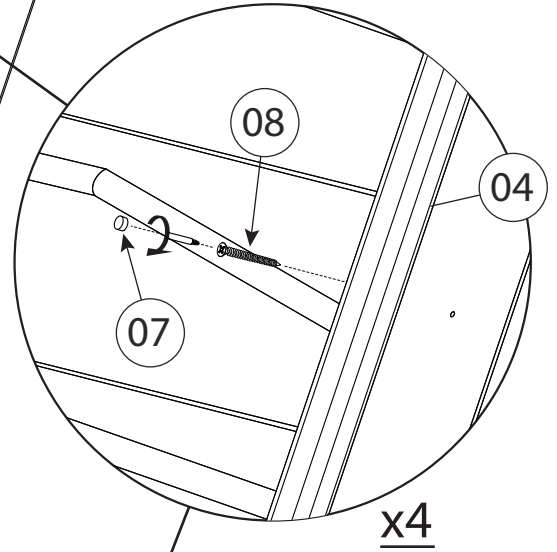


Tx10-30 Ph2/3 Ø12 Ø16
 Pz2/3 Pz2/3 Ø8

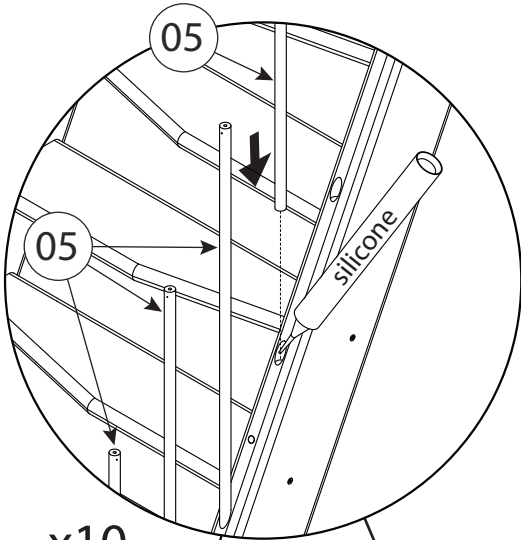
2



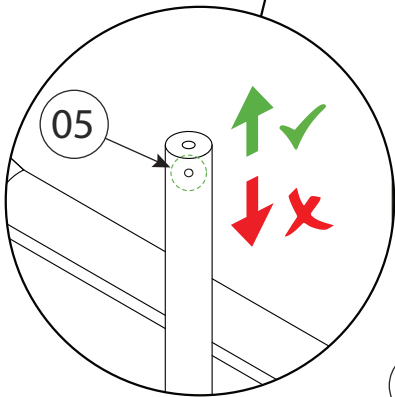
3



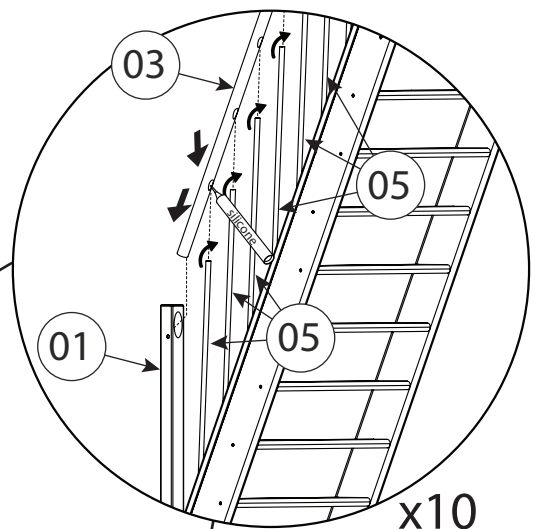
4



x10

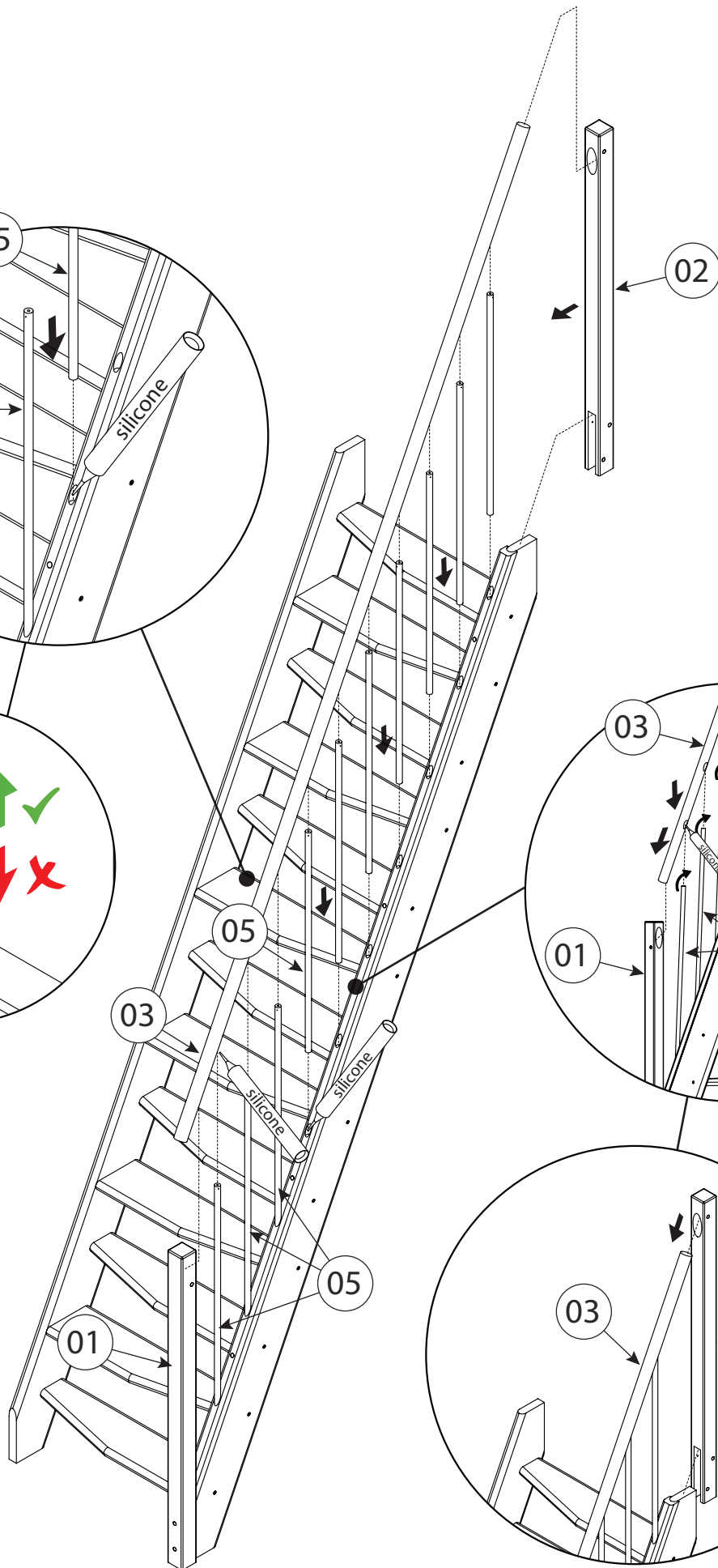
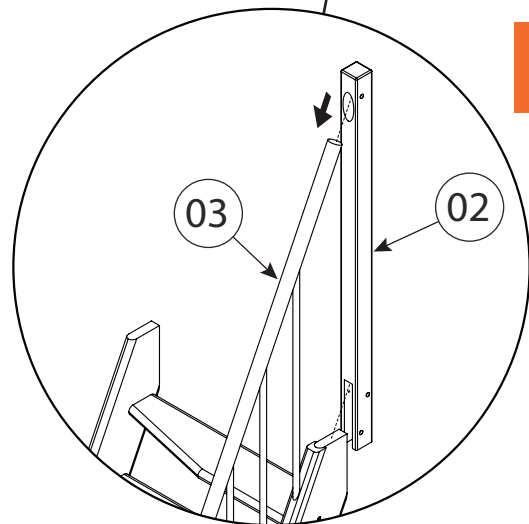


5

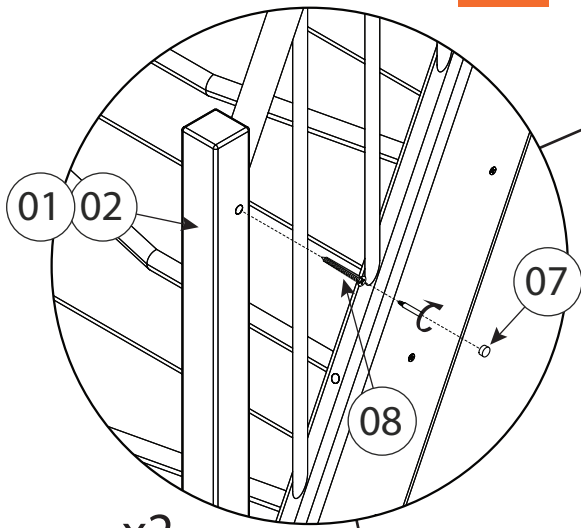


x10

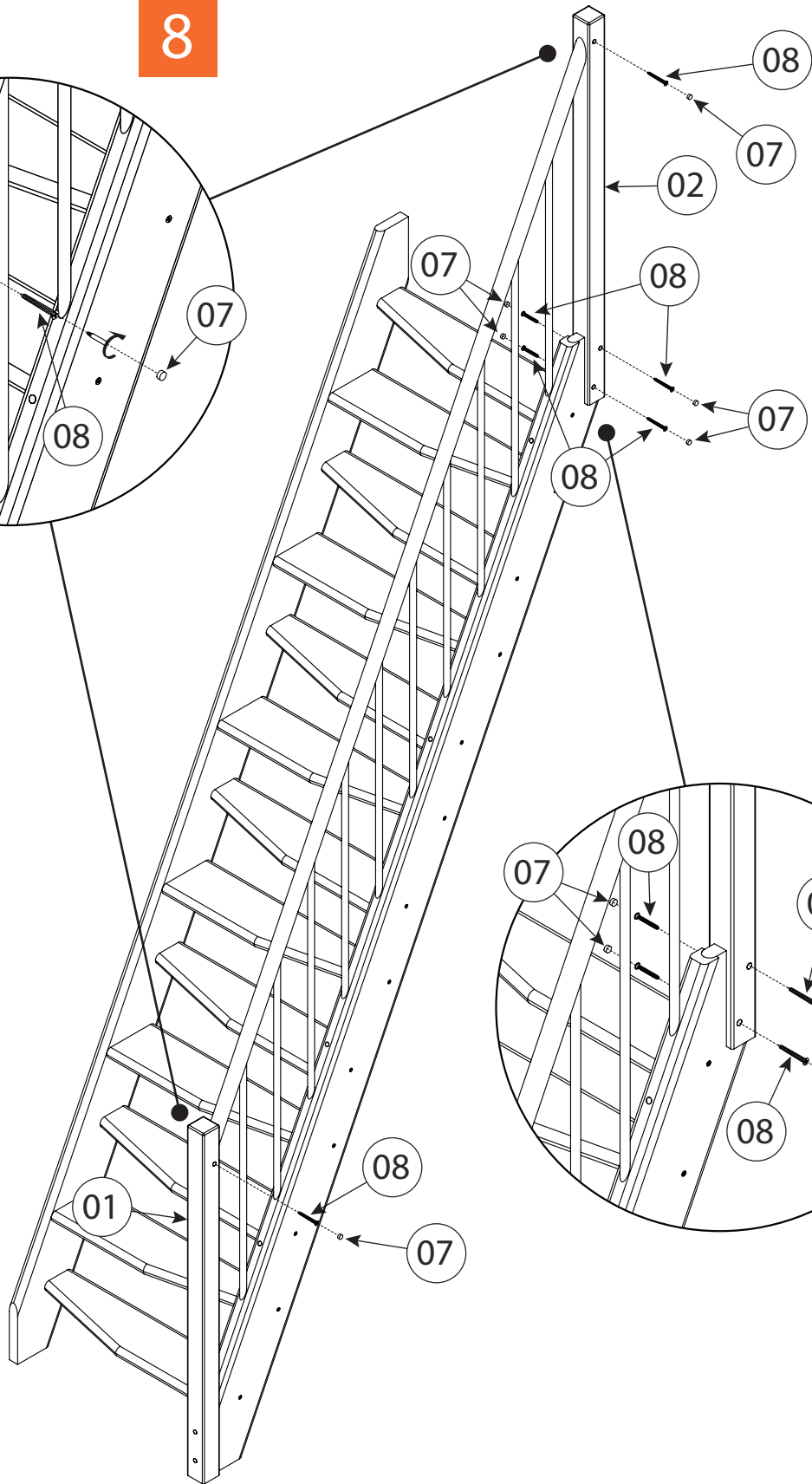
6



8



x2



7

