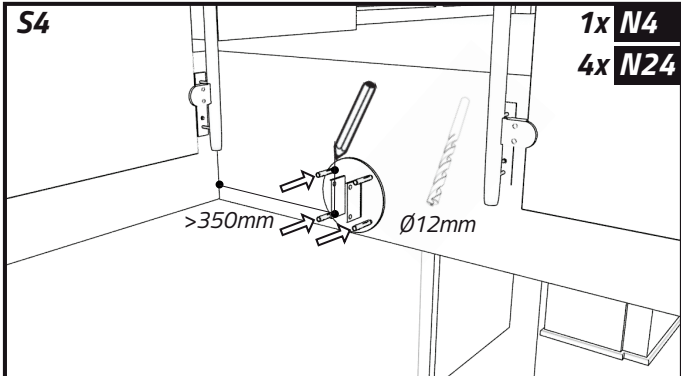
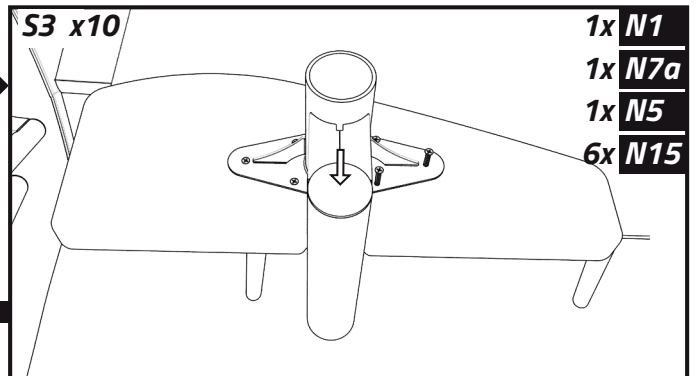
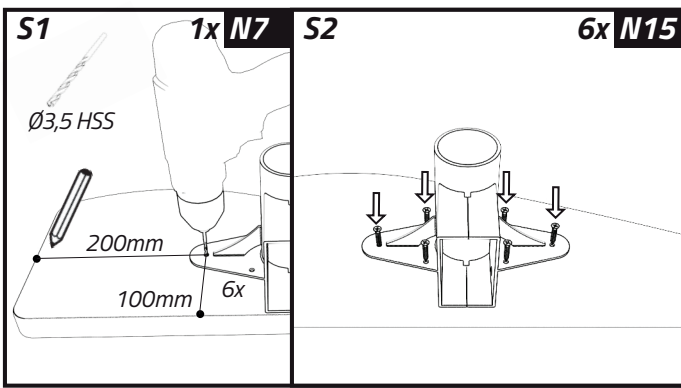
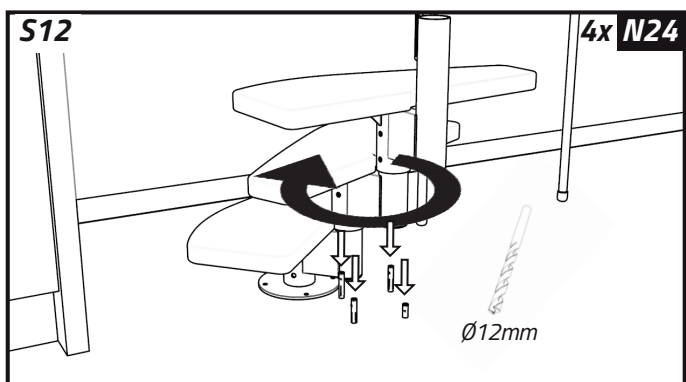
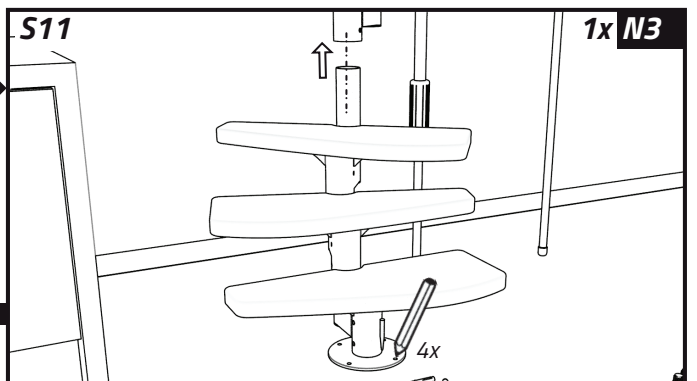
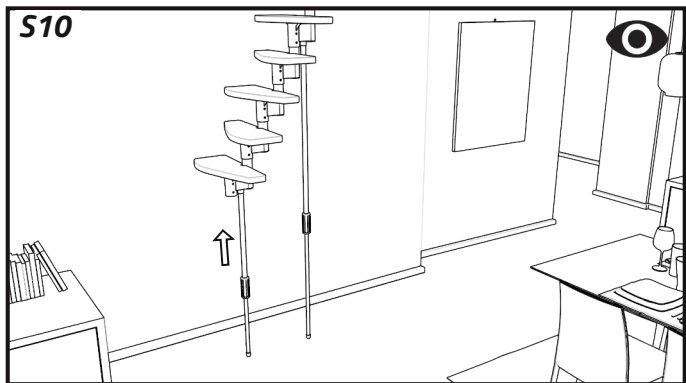
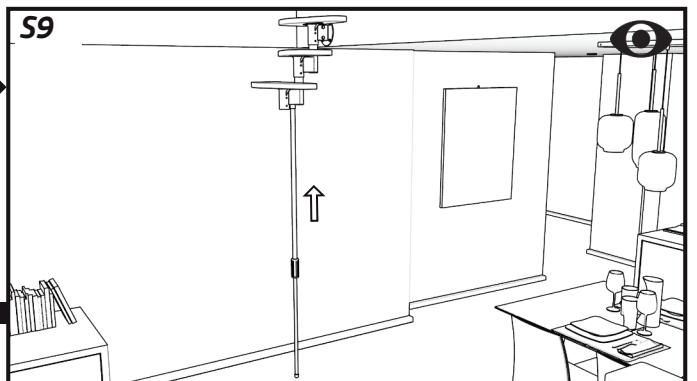
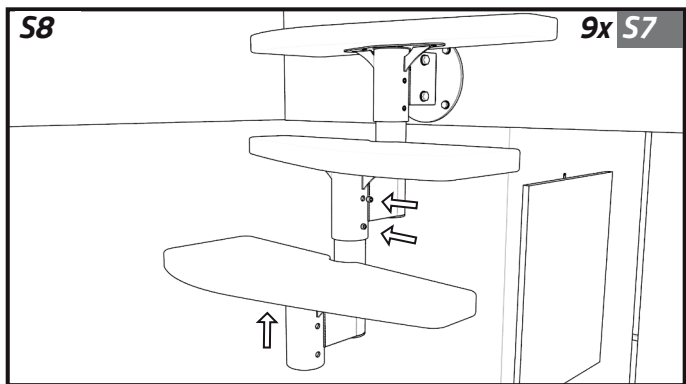
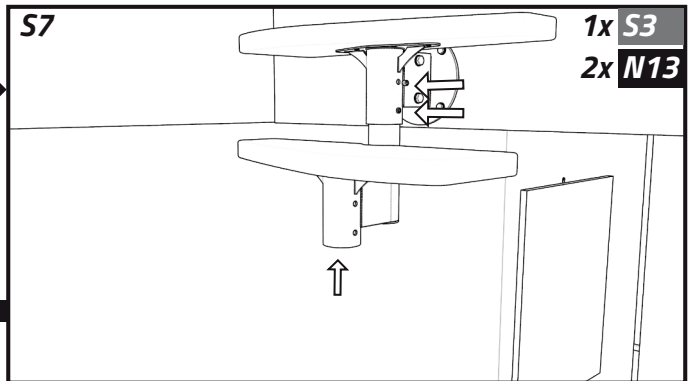
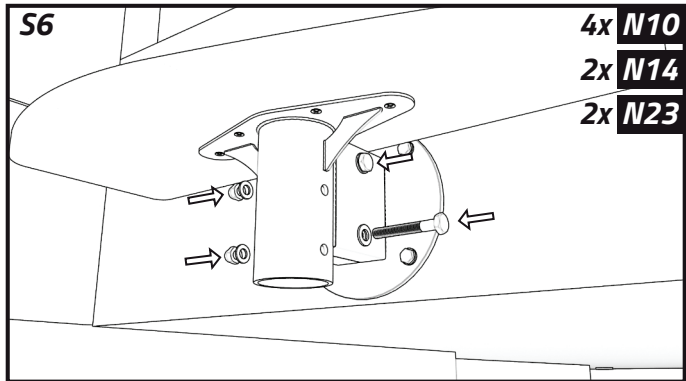
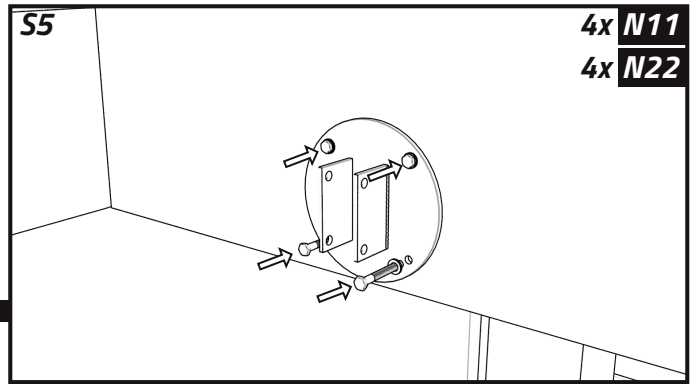
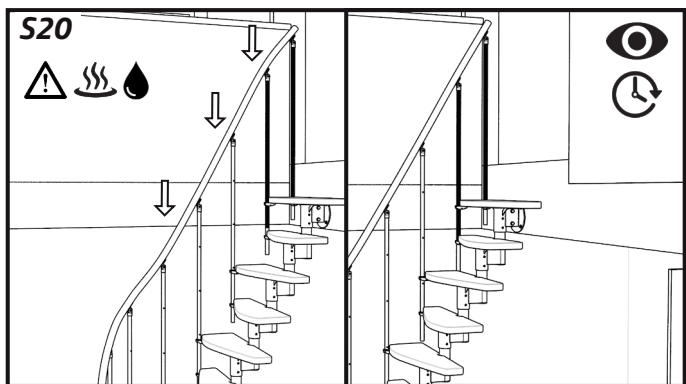
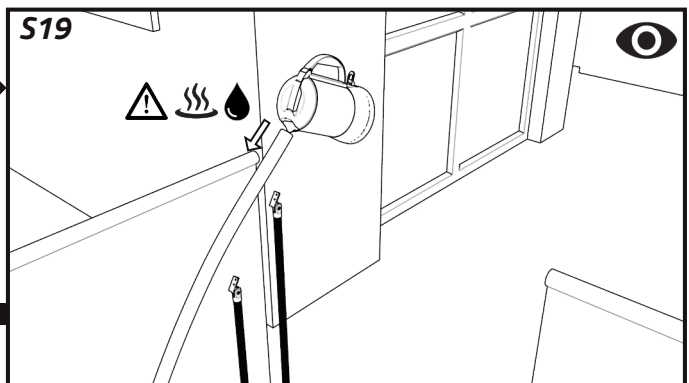
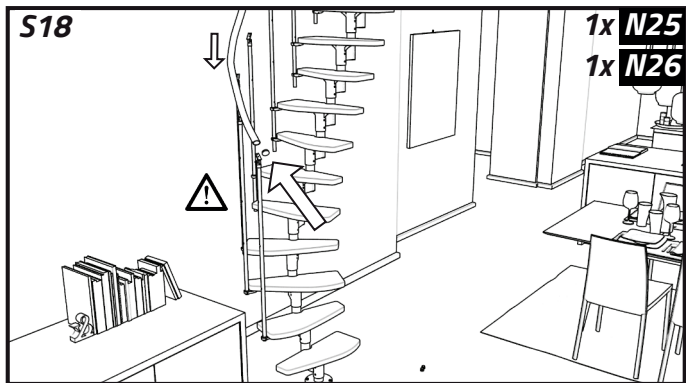
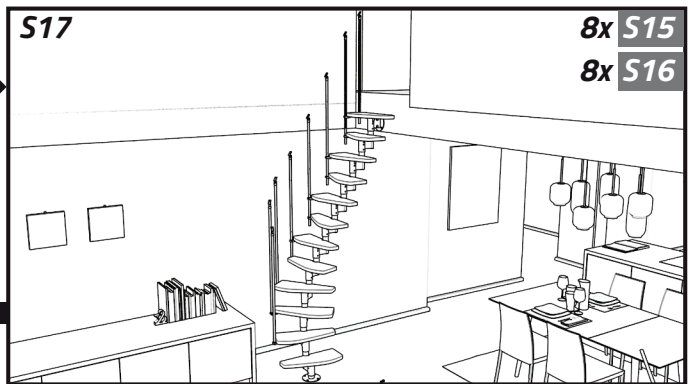
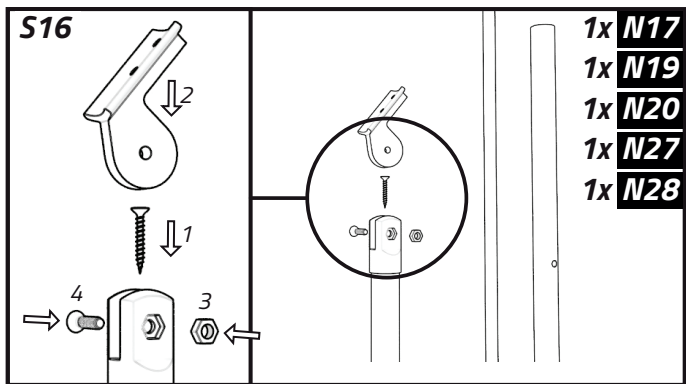
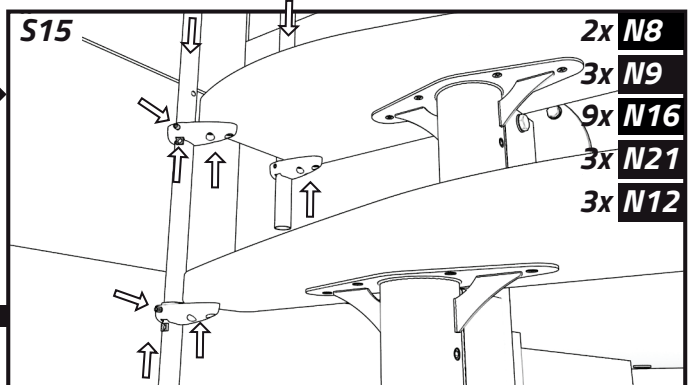
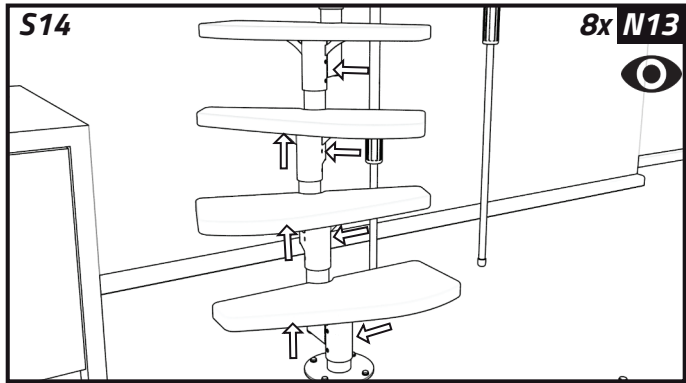
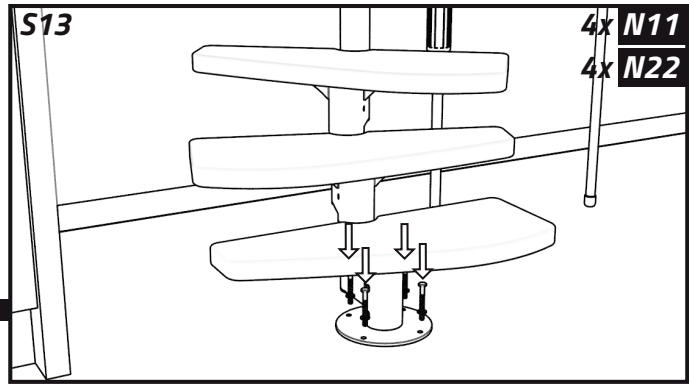
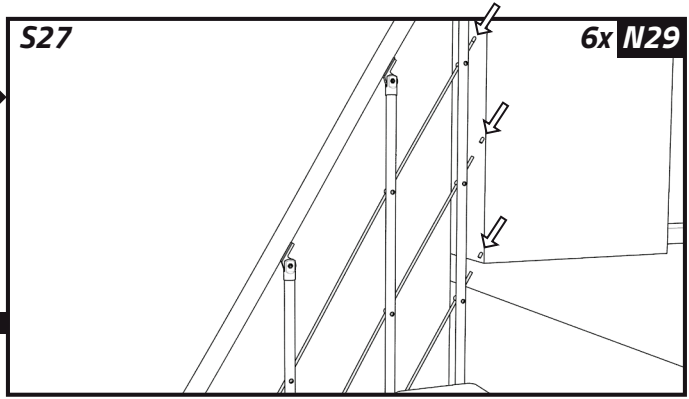
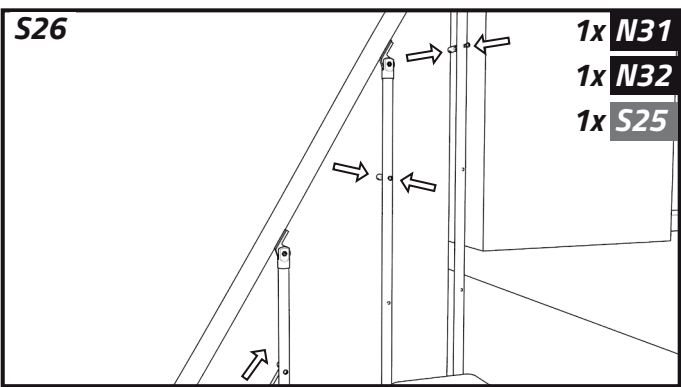
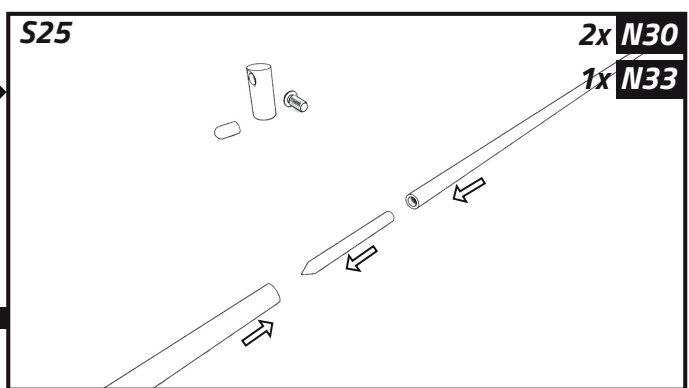
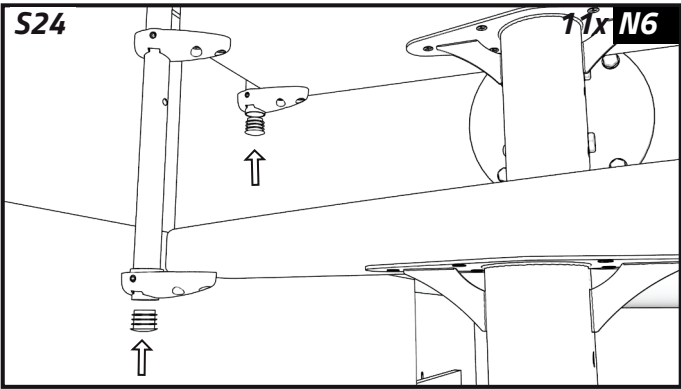
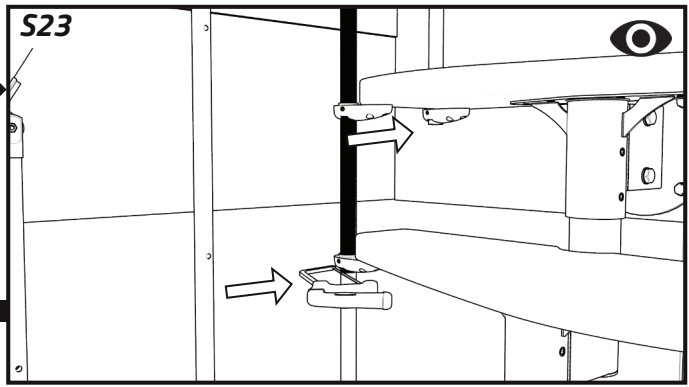
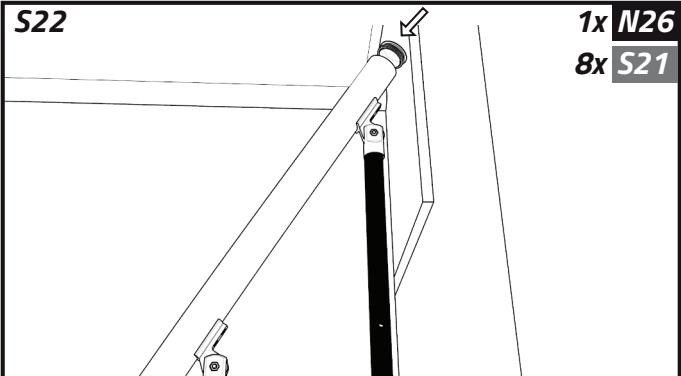
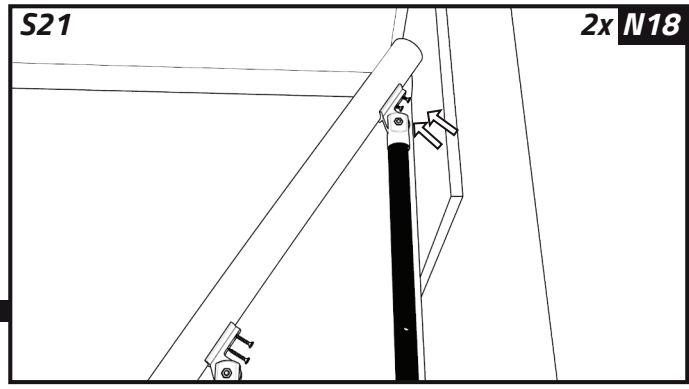


<b>N1</b>	<b>11x</b>	<b>N2</b>	<b>1x</b>	<b>N3</b>	<b>1x</b>	<b>N4</b>	<b>1x</b>	<b>N5</b>	<b>11x</b>	<b>N6</b>	<b>10x</b>				
									$\phi 60\text{mm}$		$\phi 22\text{mm}$				
<b>N7</b>	<b>1x</b>	<b>N7a</b>	<b>11x</b>	<b>N8</b>	<b>10x</b>	<b>N9</b>	<b>20x</b>	<b>N10</b>	<b>4x</b>	<b>N11</b>	<b>8x</b>	<b>N12</b>	<b>20x</b>	<b>N13</b>	<b>24x</b>
					$\phi 22 \times 1 \times 1100\text{mm}$				M10		M8				M10x8mm
<b>N14</b>	<b>2x</b>	<b>N15</b>	<b>72x</b>	<b>N16</b>	<b>60x</b>	<b>N17</b>	<b>10x</b>	<b>N18</b>	<b>20x</b>	<b>N19</b>	<b>10x</b>	<b>N20</b>	<b>10x</b>	<b>N21</b>	<b>20x</b>
	M10x8mm		$\phi 6 \times 30\text{mm}$		$\phi 5 \times 40\text{mm}$		$\phi 4 \times 25\text{mm}$		$\phi 3,5 \times 25\text{mm}$		M5x20mm		M5		M6x6mm
<b>N22</b>	<b>8x</b>	<b>N23</b>	<b>2x</b>	<b>N24</b>	<b>8x</b>	<b>N25</b>	<b>1x</b>	<b>N26</b>	<b>2x</b>	<b>N27</b>	<b>10x</b>	<b>N28</b>	<b>10x</b>	<b>N29</b>	<b>6x</b>
	M8x70mm		M10x70mm		M8x55mm		$\phi 40 \times 3,5 \times 3000\text{mm}$		$\phi 40\text{mm}$						$\phi 6 \times 12\text{mm}$
<b>N30</b>	<b>6x</b>	<b>N31</b>	<b>30x</b>	<b>N32</b>	<b>30x</b>	<b>N33</b>	<b>3x</b>	<div style="text-align: center;"> <p><b>N1 - N33 OK?</b></p> <p>↓</p> <p><b>START</b></p> </div> <div style="display: flex; justify-content: space-around;"> <div> <p><b>H:h</b></p> <p><math>h_{max} = 226\text{mm}</math> <math>h_{min} = 172\text{mm}</math></p> <p><math>H_{max} = 2938\text{mm}</math> (13 x <math>h_{max}</math>)</p> <p><math>H_{min} = 2236\text{mm}</math> (13 x <math>h_{min}</math>)</p> </div> <div> </div> <div> <p>+</p> <p><math>\phi 3,5\text{mm}</math>   <math>\phi 12\text{mm}</math></p> <p>SW 13 + 17   PZ 2</p> </div> </div>							
	$\phi 6 \times 1 \times 1200\text{mm}$				M6x14mm		$\phi 4 \times 40\text{mm}$								









**OK!**