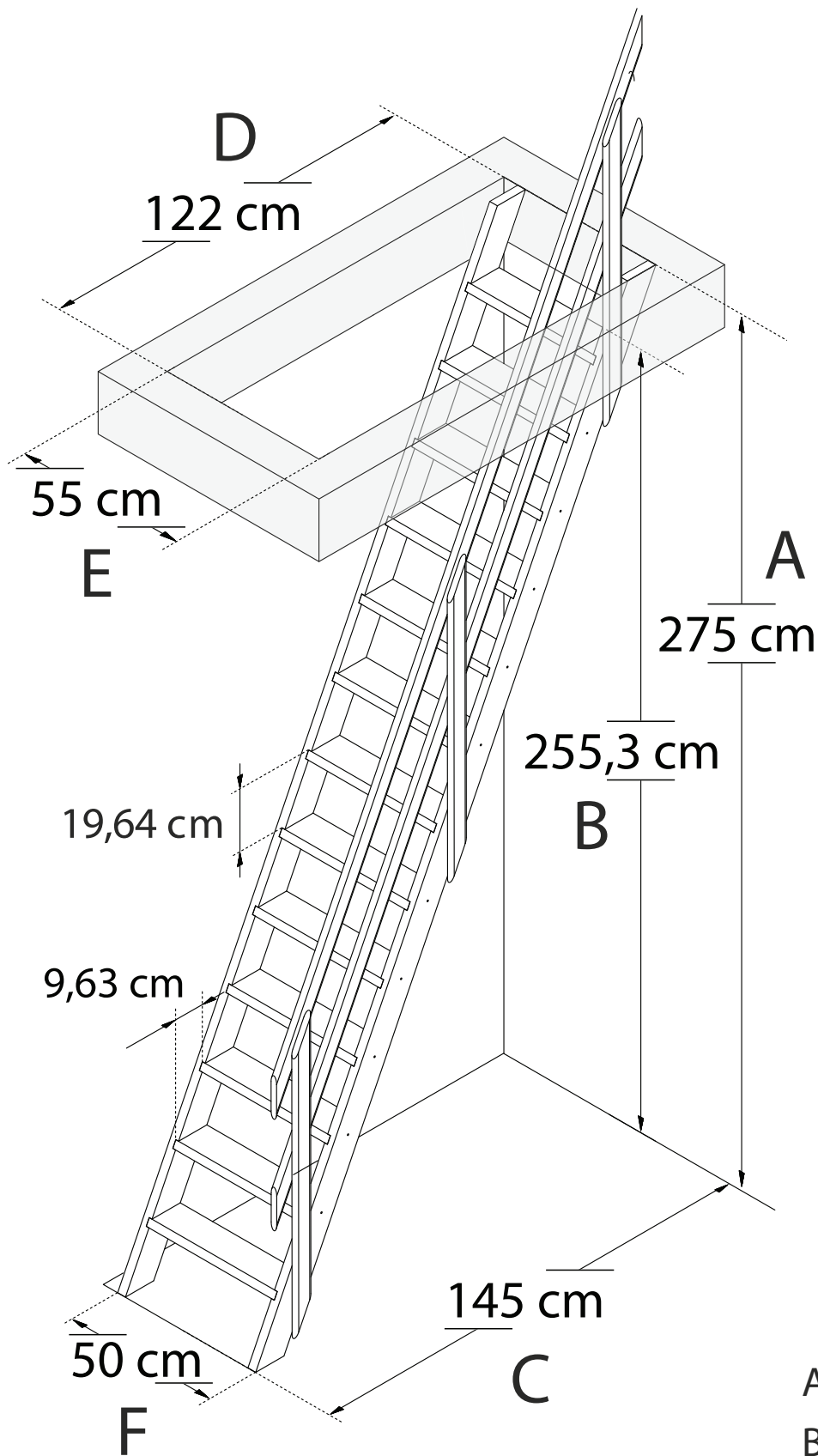


COTTAGE PREMIUM

STAIRCASE + BANISTER | ECHELLE + RAMPE | LADDER + LEUNINGEN | WANGENSPARTREPPE +
GELÄNDER | ESCALERA + BARANDILLA | ESCADA + CORRIMÃO | ESCALA + RINGHIERA | SCARĂ + RAMPĂ



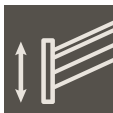
- Acm
- B.....cm
- Ccm
- Dcm
- Ecm
- Fcm



Max. total weight*
90 kg



Space saving
63,8°











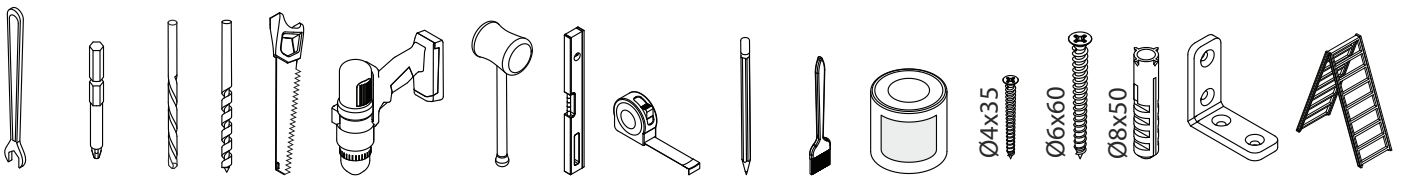
Height
72 cm



Space, balusters
10 cm

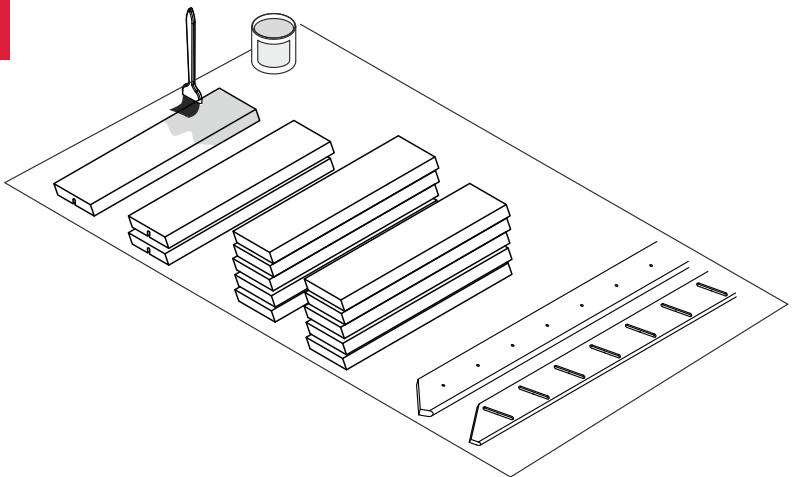
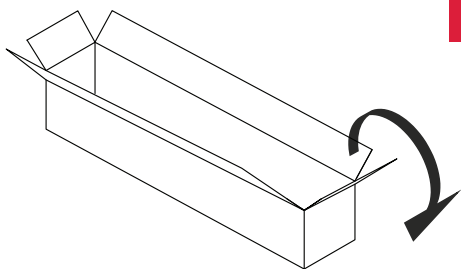
*Maximum total weight recommended by manufacturer

01	28x92x3108	02	28x92x3108	03	22x112x464	04	22x112x464	05	M6x515	06	Ø6xØ12x2	07	M6x6	08	Ø5x50
x1		x1		x3		x10		x3		x6		x6		x20	
															



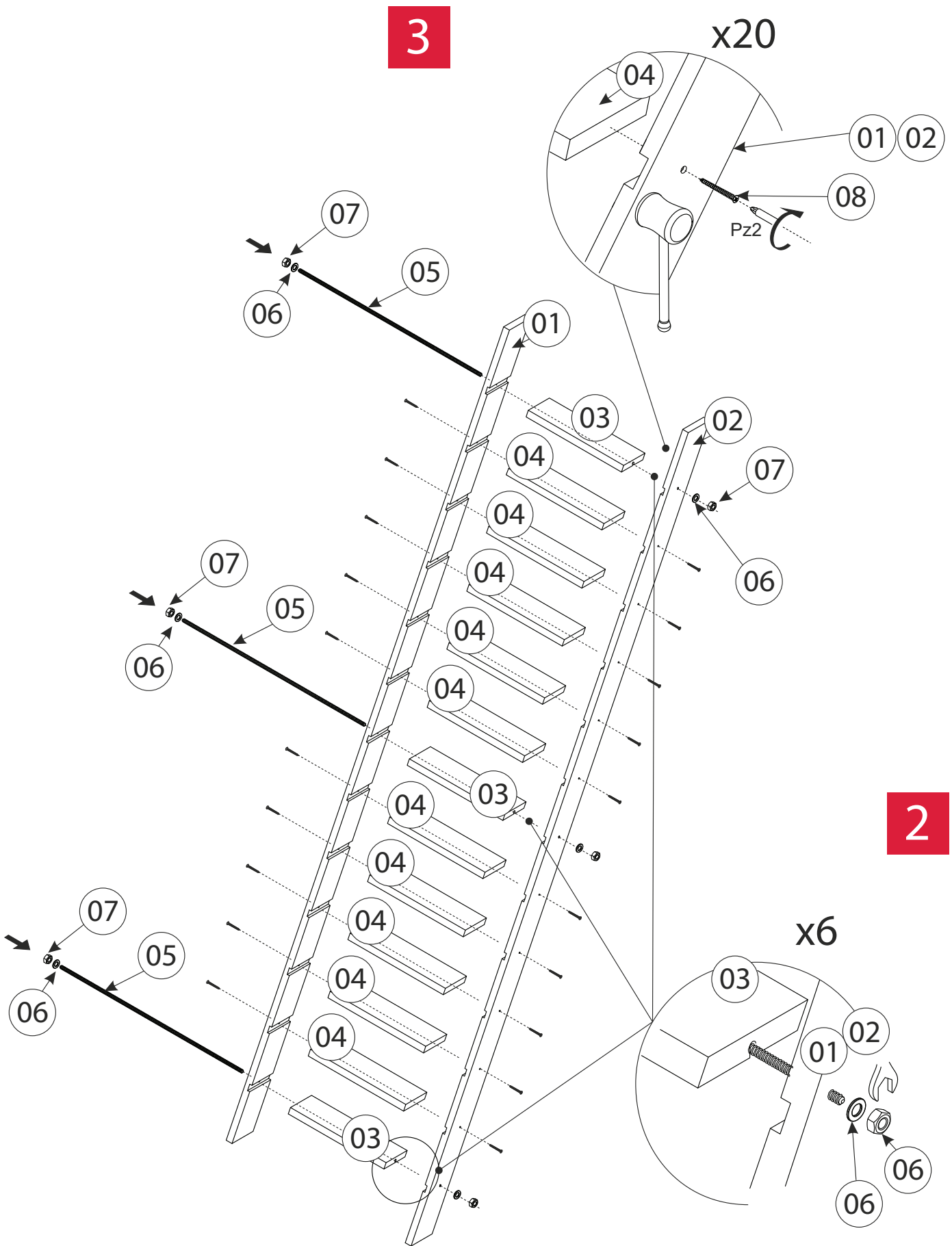
10 Ph2/3 Ø10 Ø4
Pz2/3 Ø8 Ø12

1



3

x20

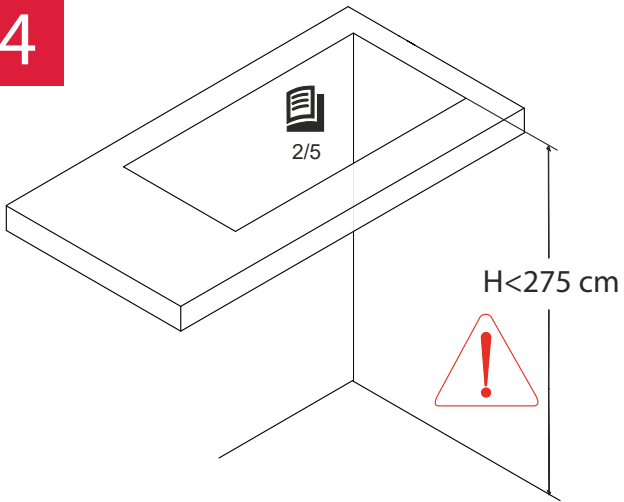


2

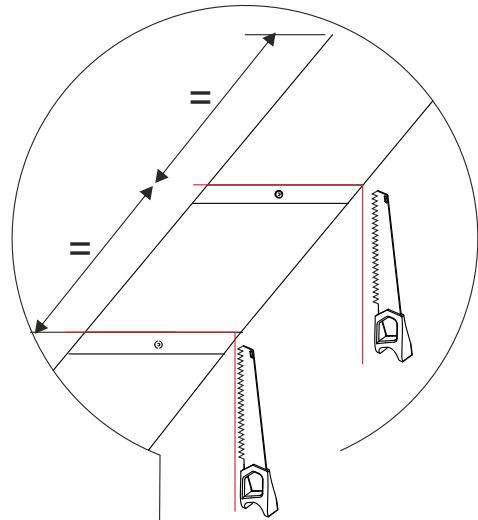
x6

4

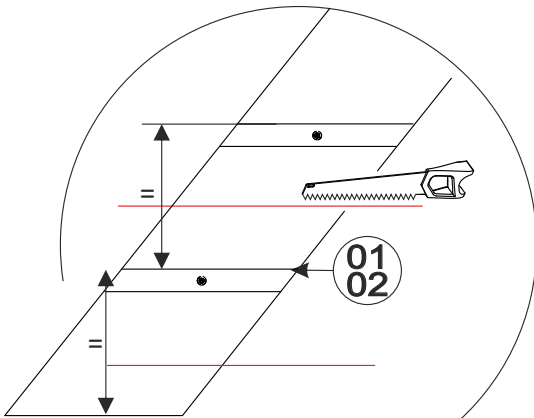
$H < 275 \text{ cm}$



$-1h; -2h$

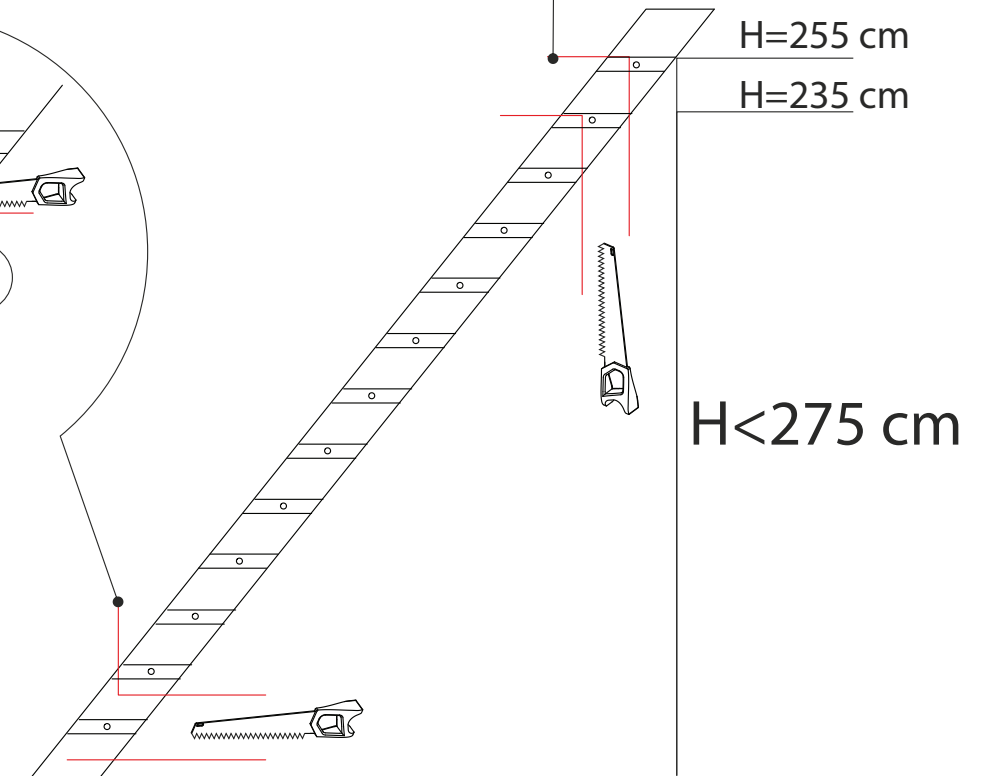


$-0,3h; -1,5h$

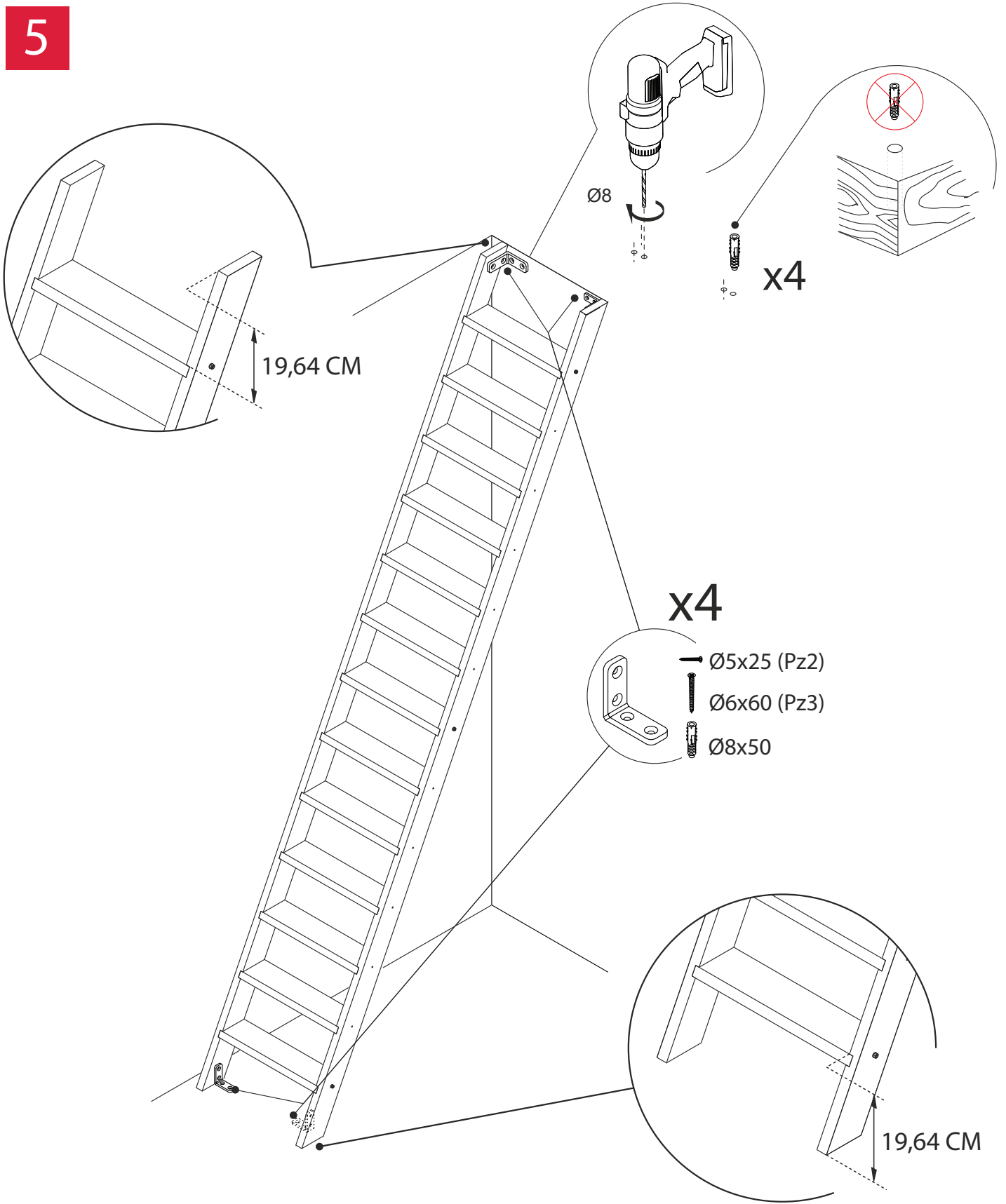


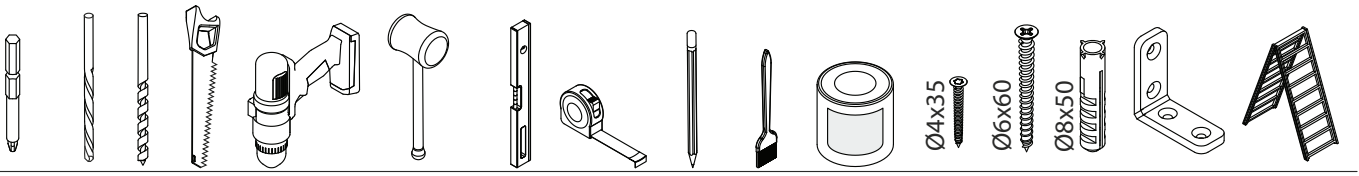
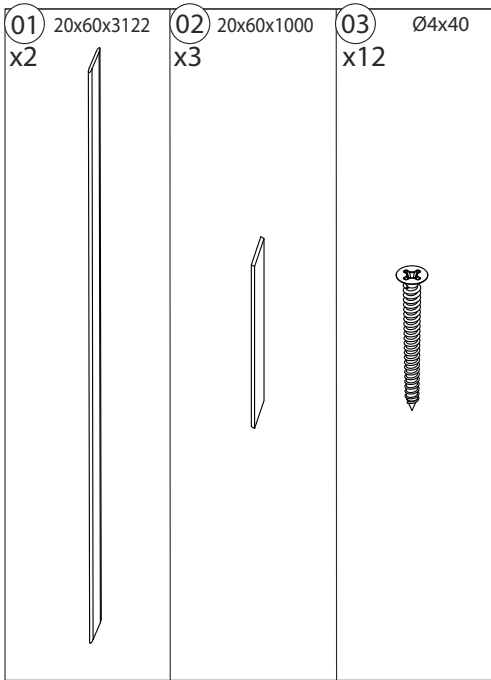
$H = 255 \text{ cm}$

$H = 235 \text{ cm}$



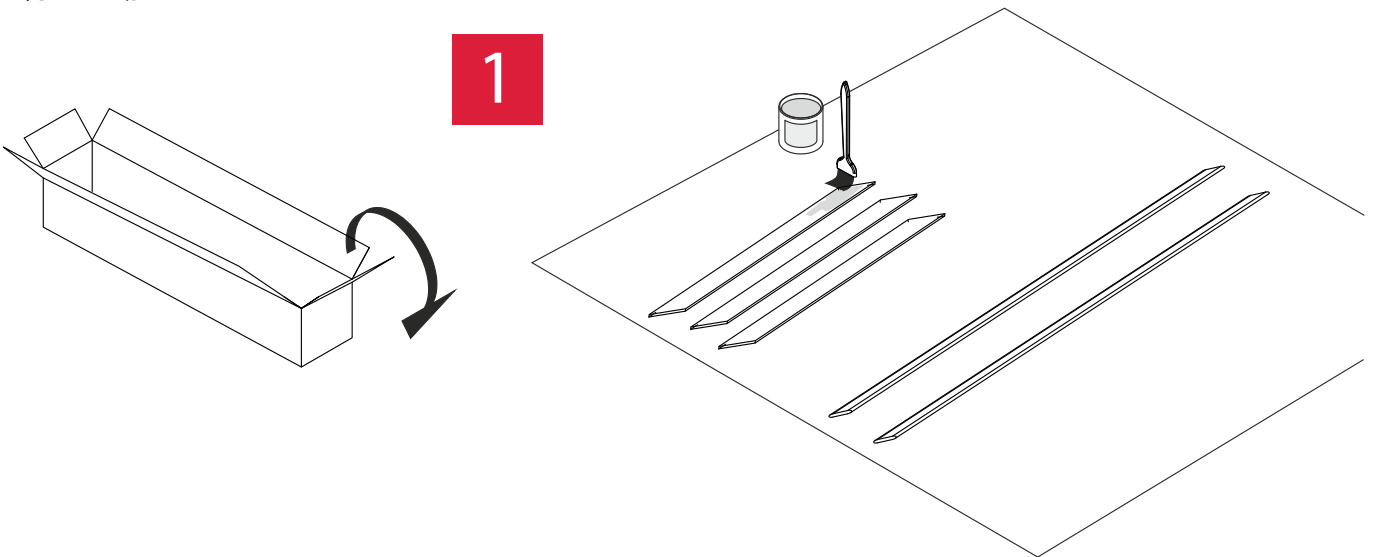
5



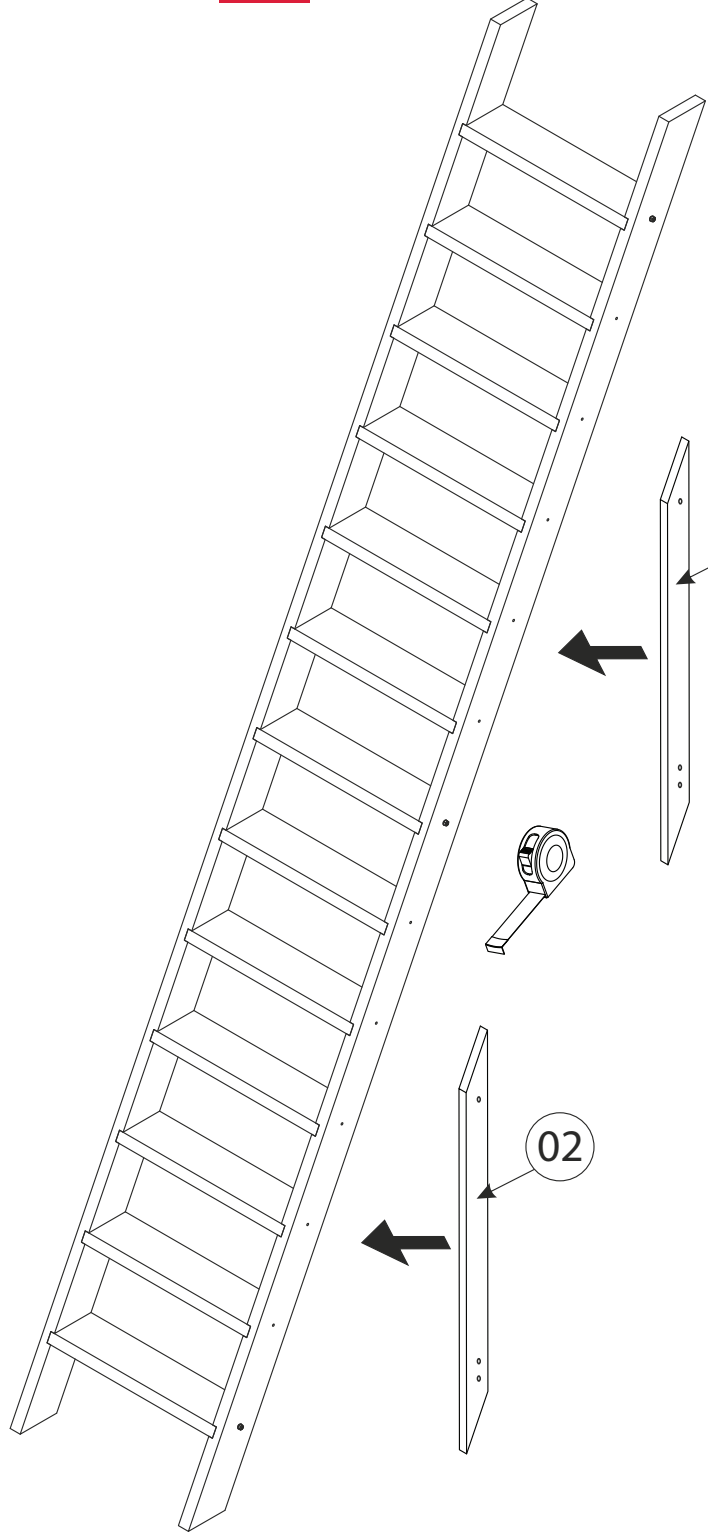
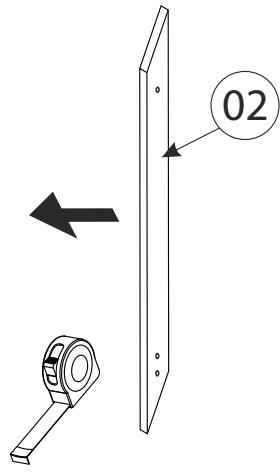


Ph2/3 Ø10 Ø4
Pz2/3 Ø8 Ø12

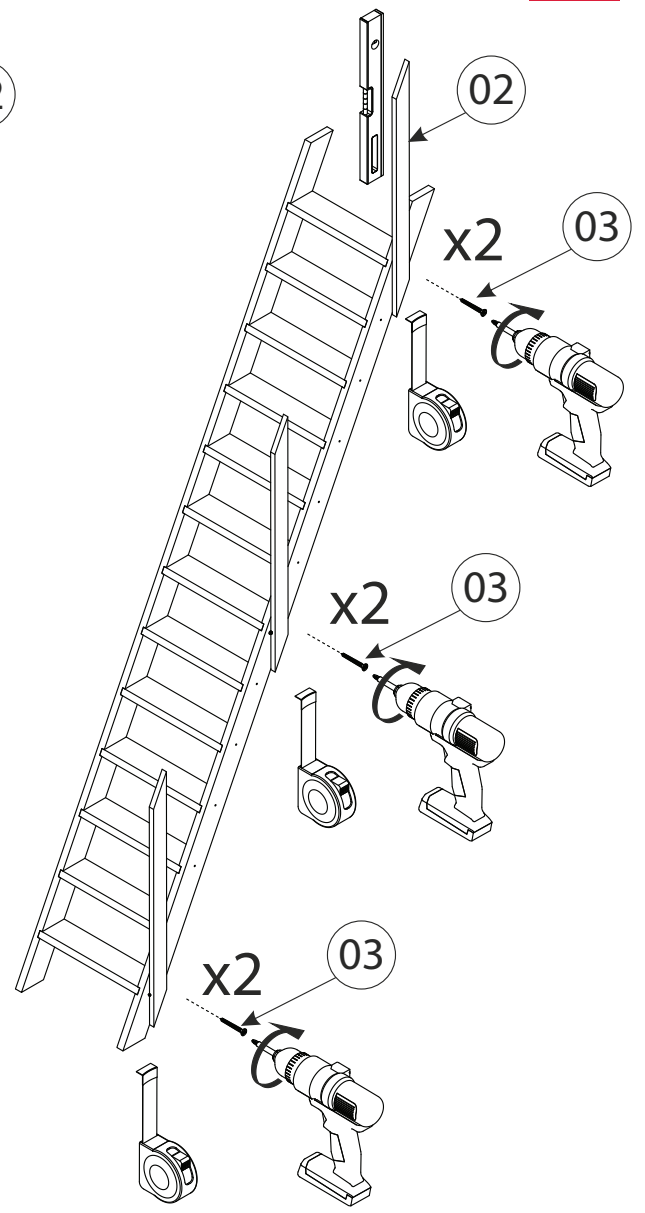
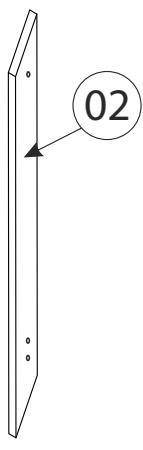
1



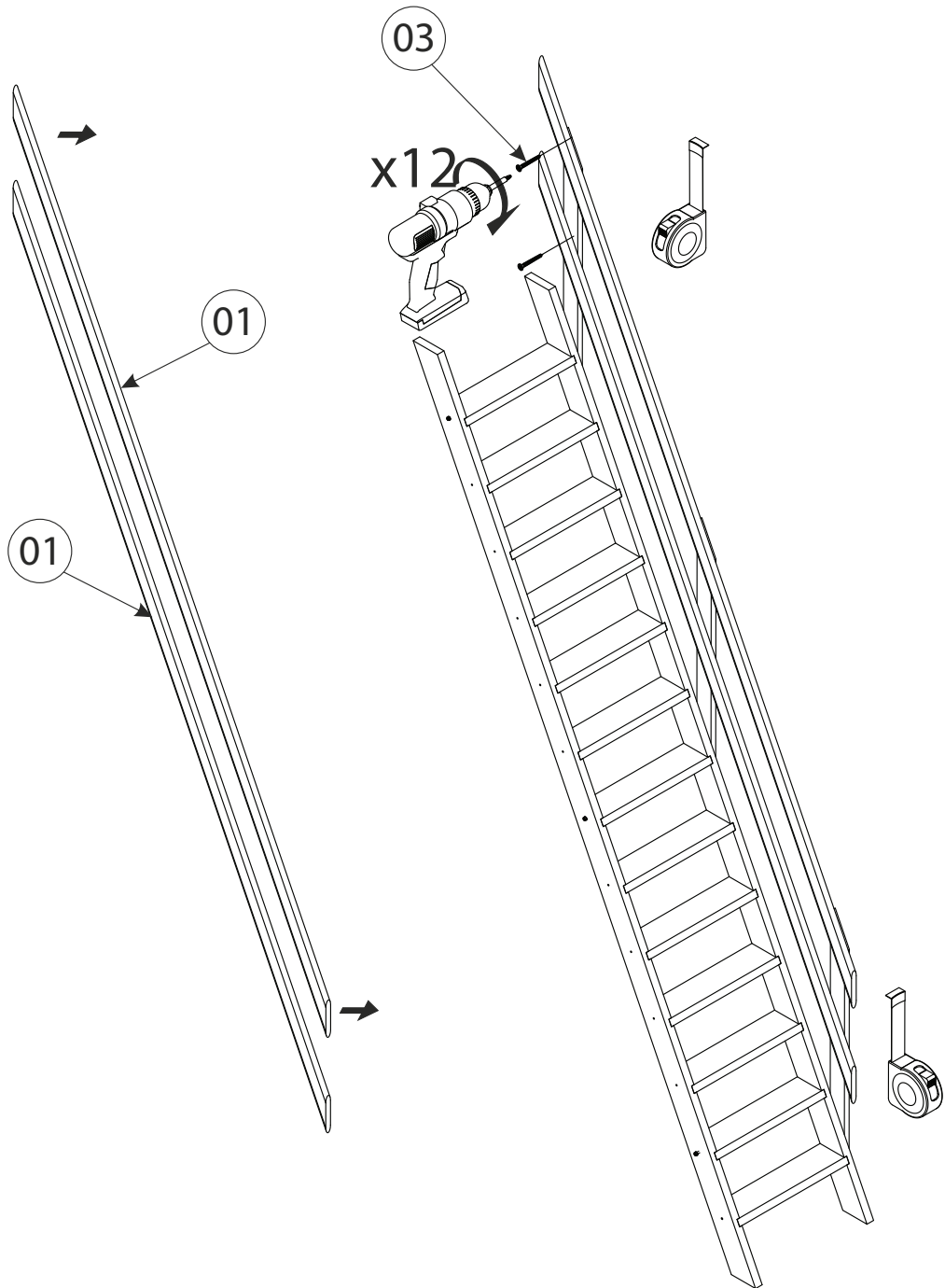
2



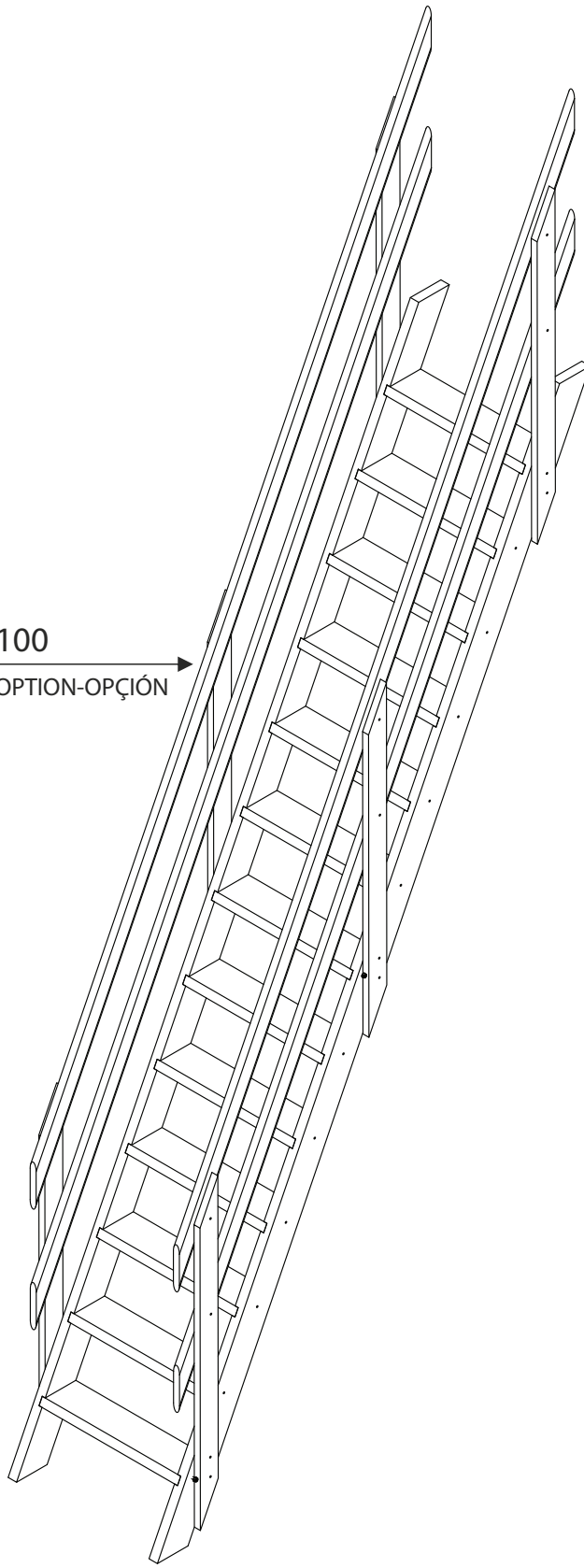
3

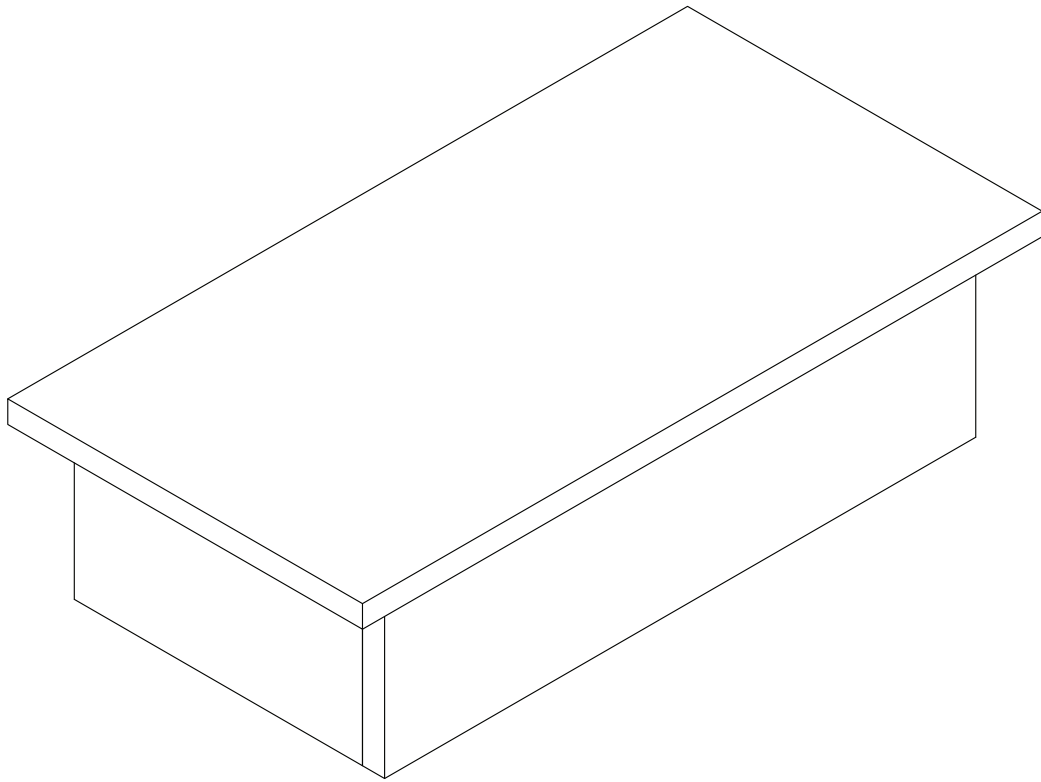


4



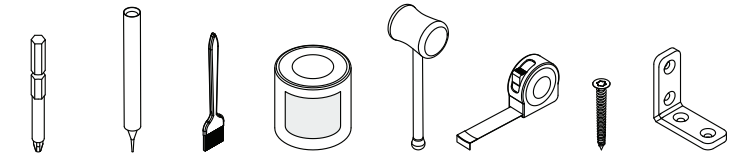
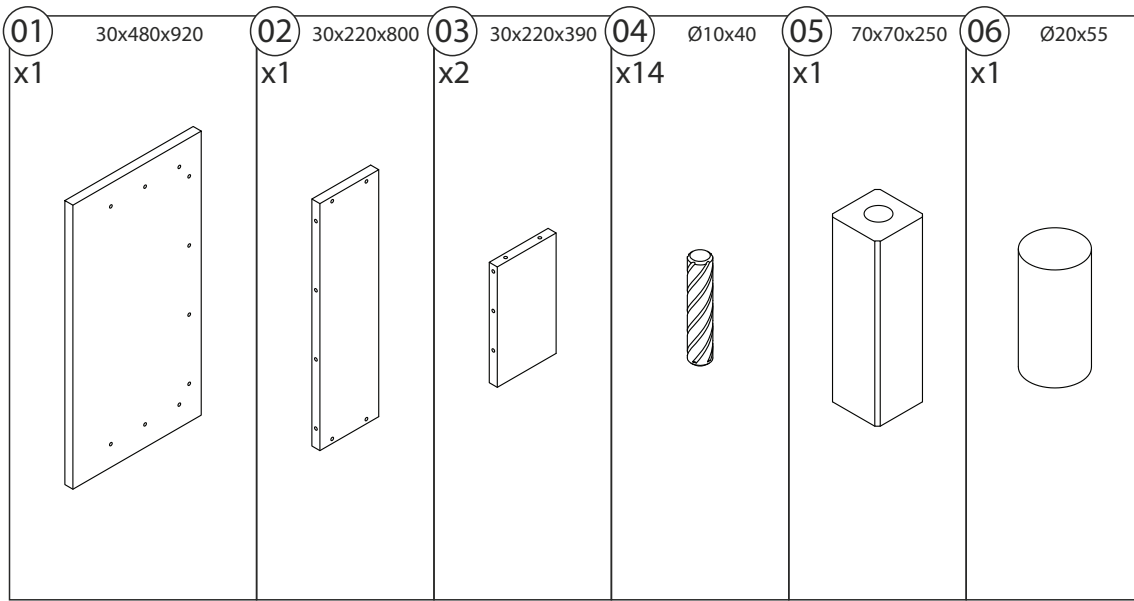
4601315-1100
OPTION-OPTIE-OPTION-OPTION-OPCIÓN





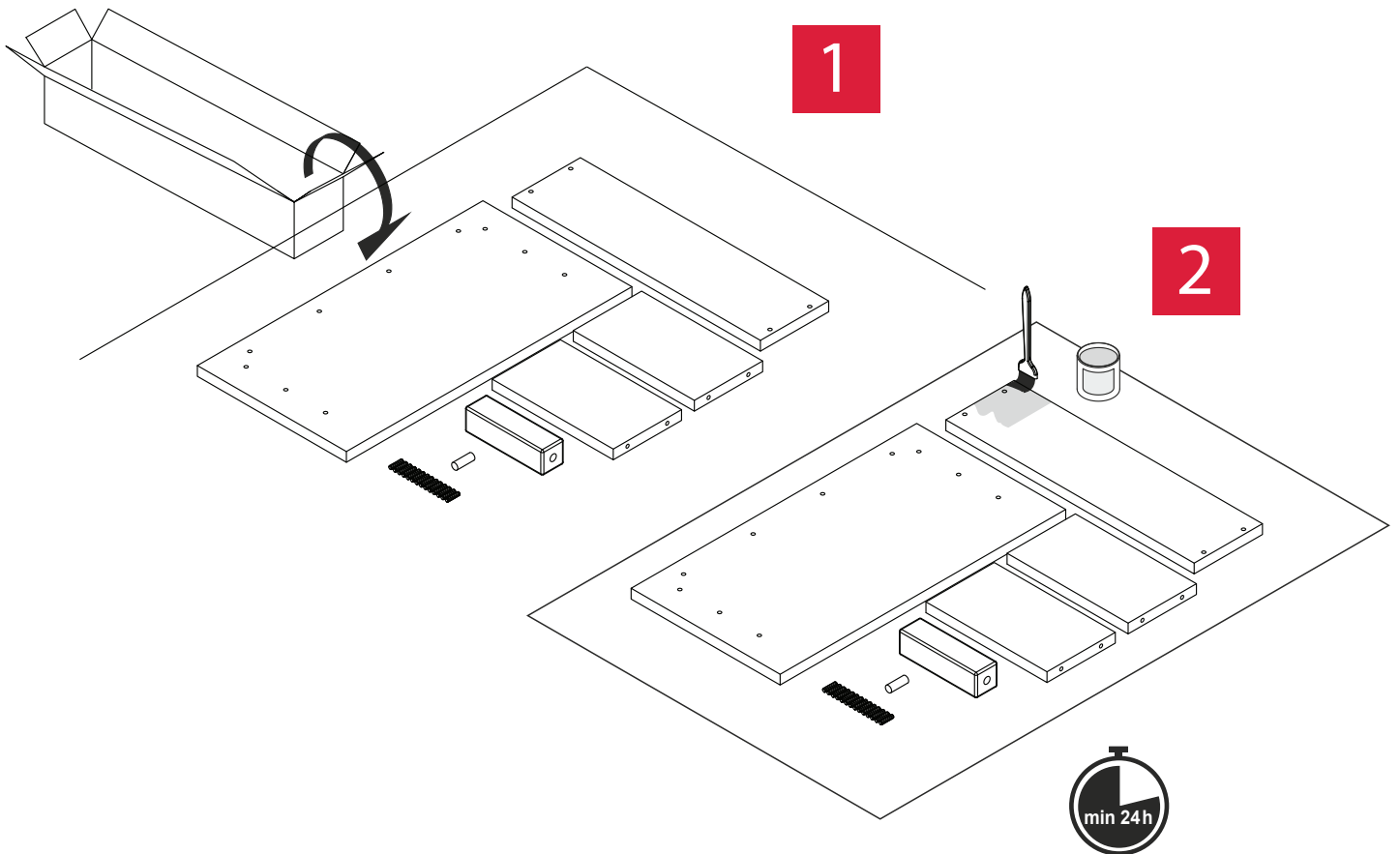
COTTAGE

BULLNOSE | SOCLE | BLOCKTREDE | ANFANGSSOCKEL
ZÓCALO | BASE INICIAL | ZOCCOLO | SOCLU

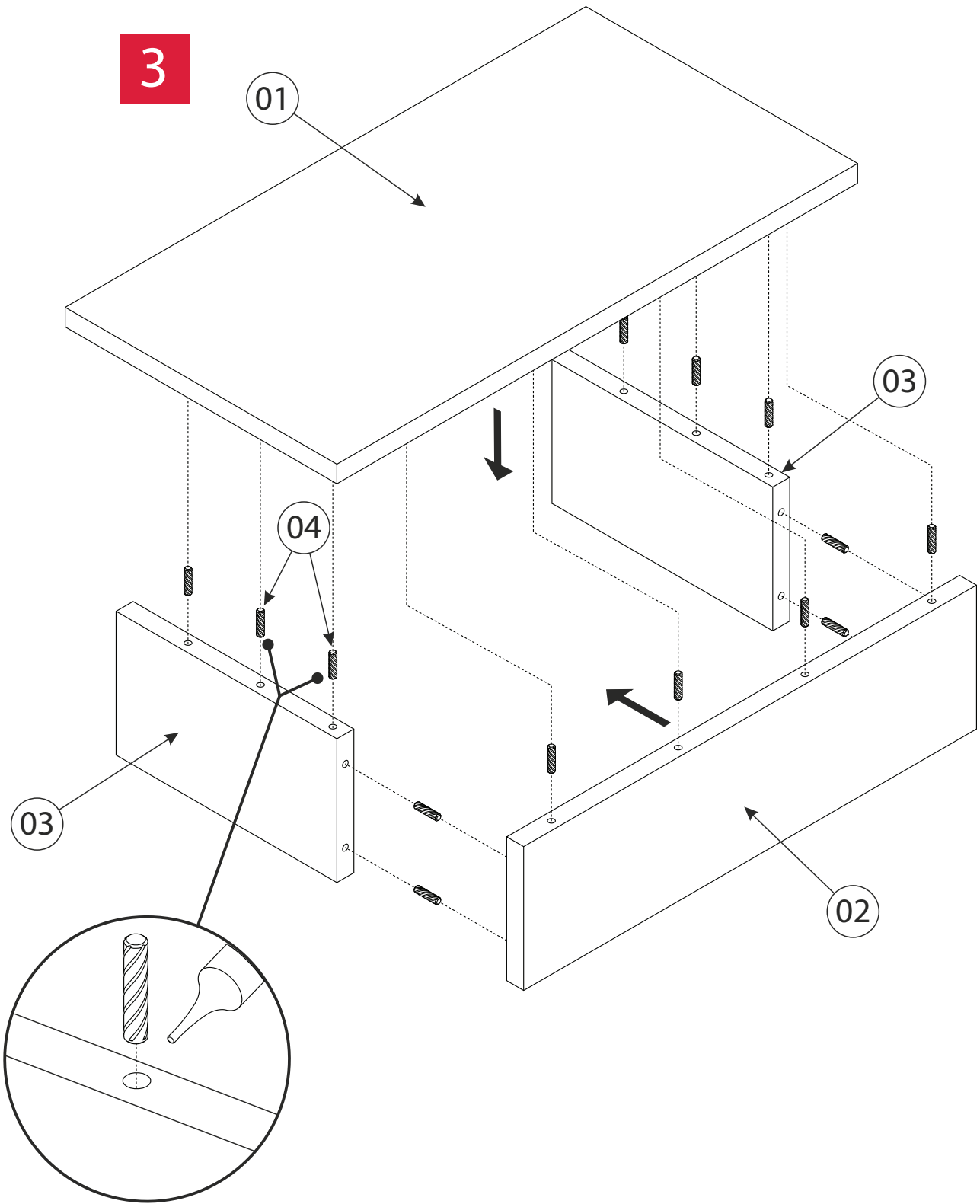


Pz2 silicone/
la colleà bois

Ø5x25



3



4 A

