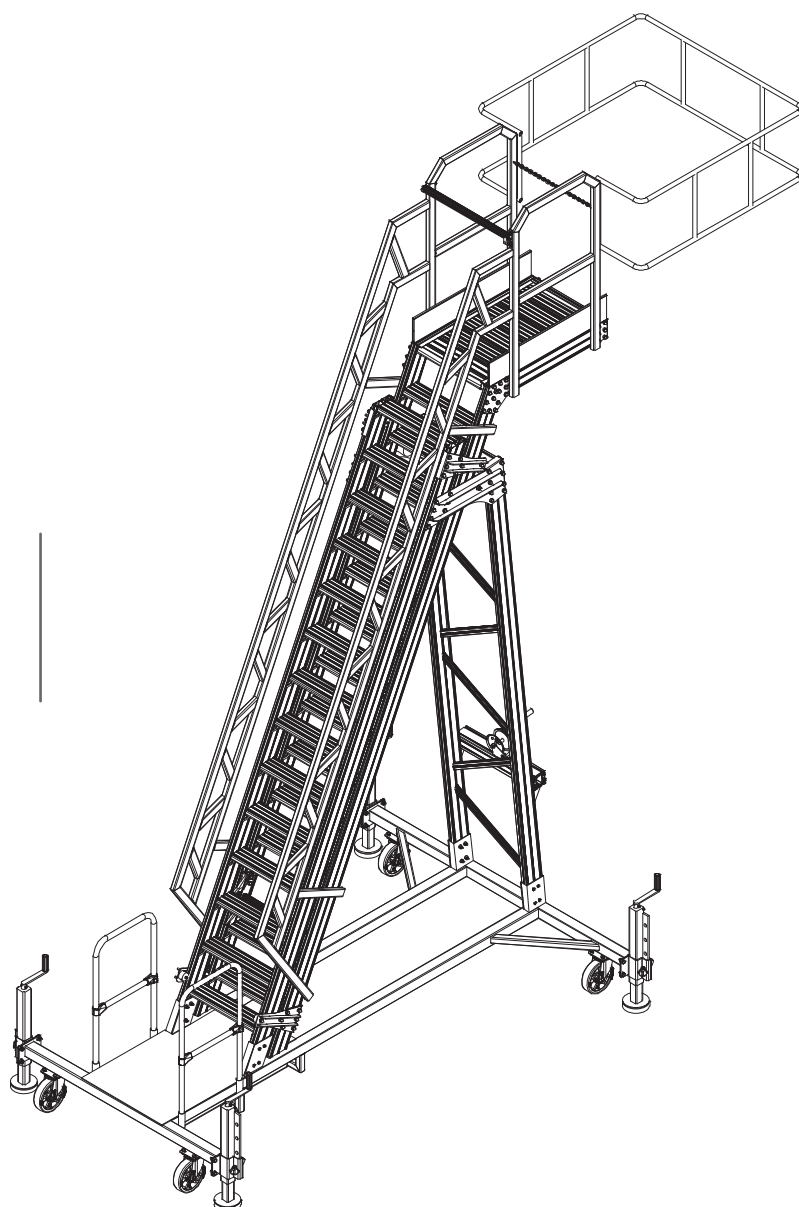


Assembly Guide  
Guide d'assemblage

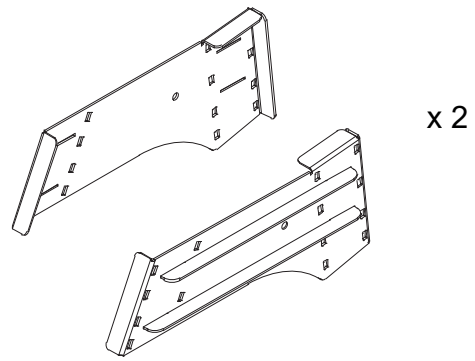
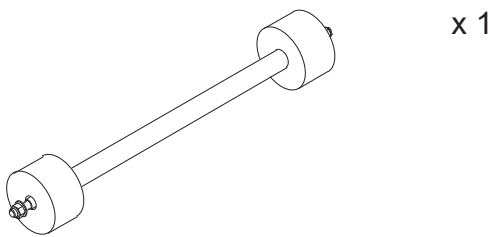
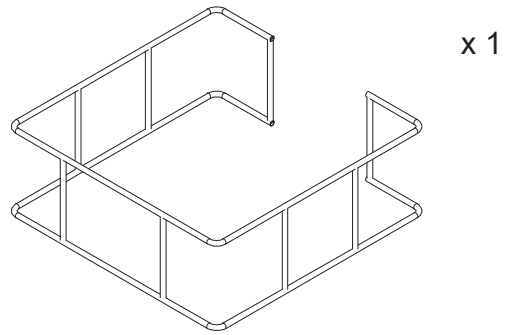
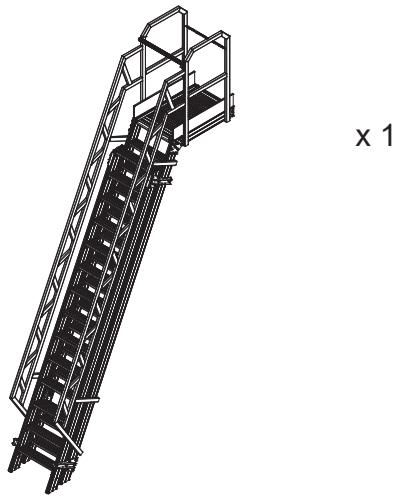
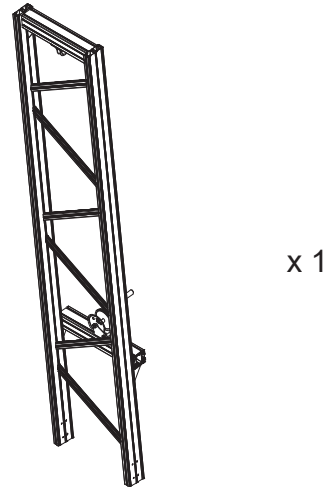
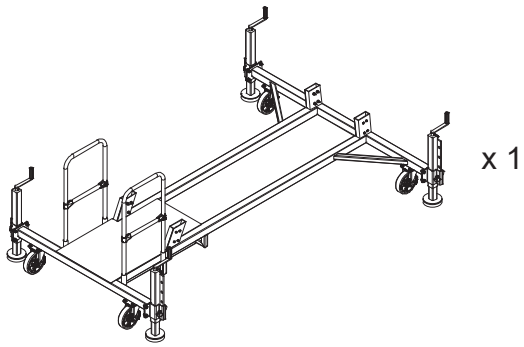


## Additional instructions for use of YP 250/300/400

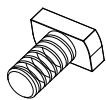


- Minimum two (2) people must be present during the installation.
- Use crane or forklift during the installation.

- Make a visual check of the height adjustable platform before each use.
- Do not use a damaged ladder platform. Damaged conditions immediately. Report and put sign and label not to use the ladder platform.
- Use the height adjustable platform on flat floors only.
- Approach the height-adjustable platform parallel to the working area without gaps.
- Lock the wheels before use and bring (4 ) stabilisers to open position.
- Adjust the height of the product with the help of the hand winch.
- When the height-adjustable platform is brought to into working height, put the latch on the step.
- Hold onto the handrails while descending the platform.
- When the work is done, release the latches by raising the product.
- Bring the product into closed position by moving the hand vinch to opposite direction.
- Release the locks on the height-adjustable platform wheels and bring the stabilisers to the closed position.
- Do not exceed 5 km / speed while moving the product to the storage area.



**M 8 x 15**



**x 32**

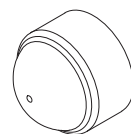
**M 8**



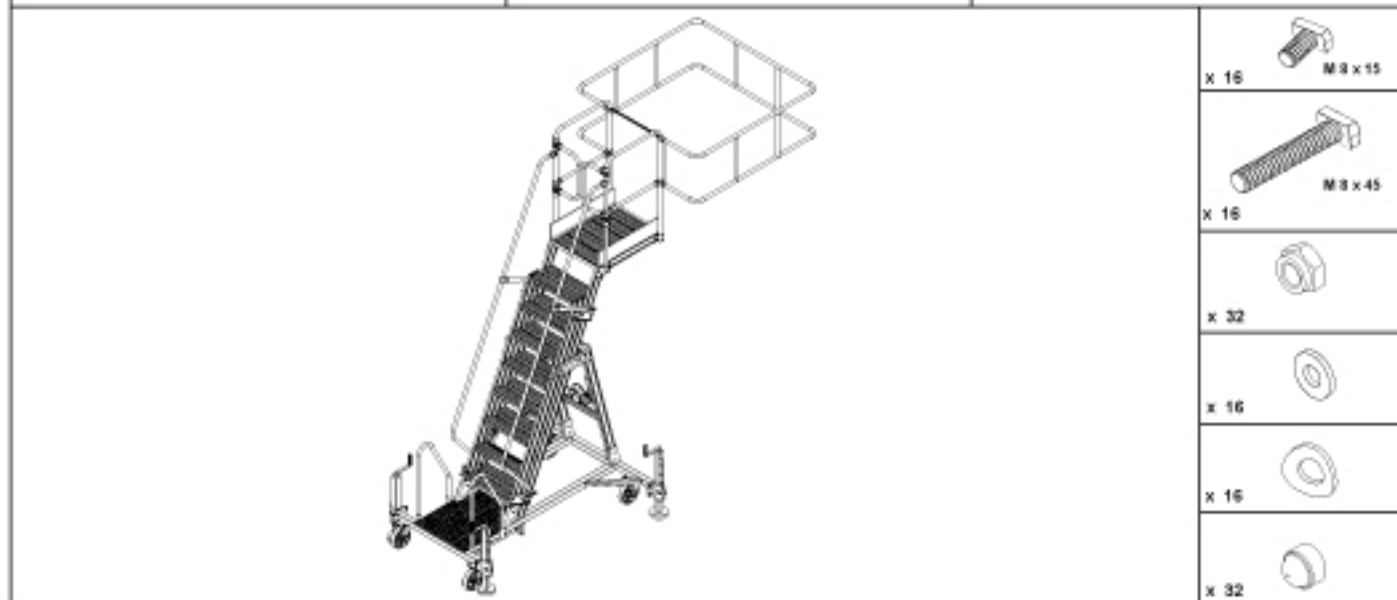
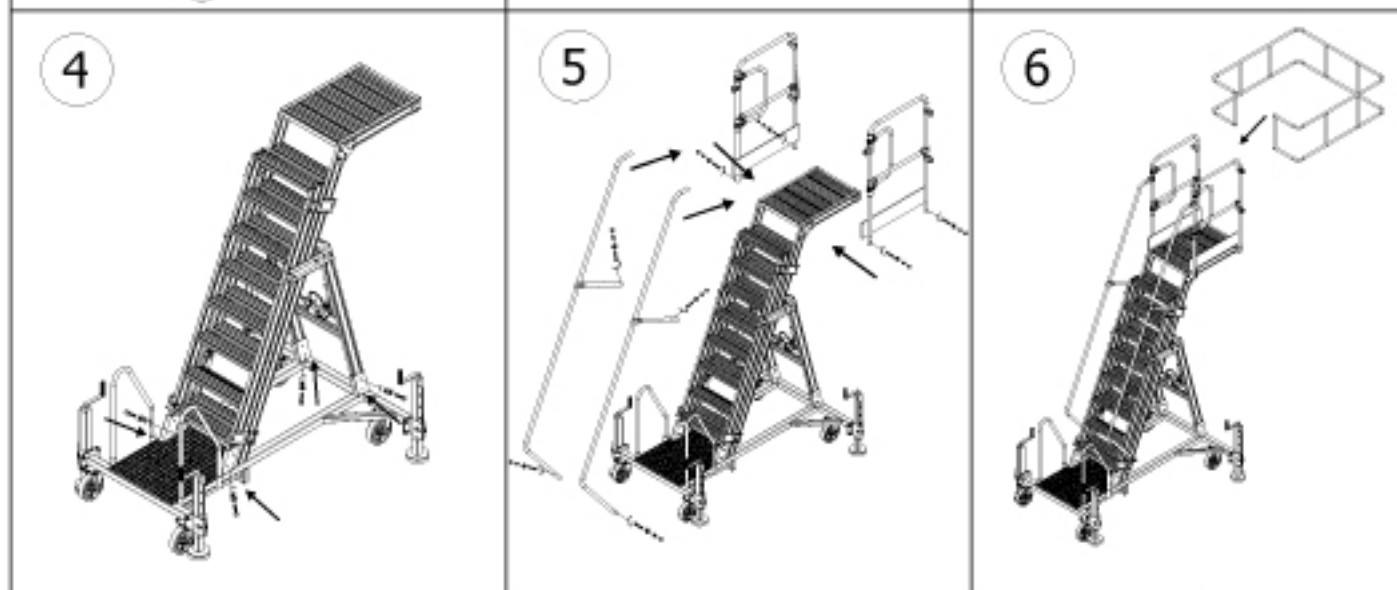
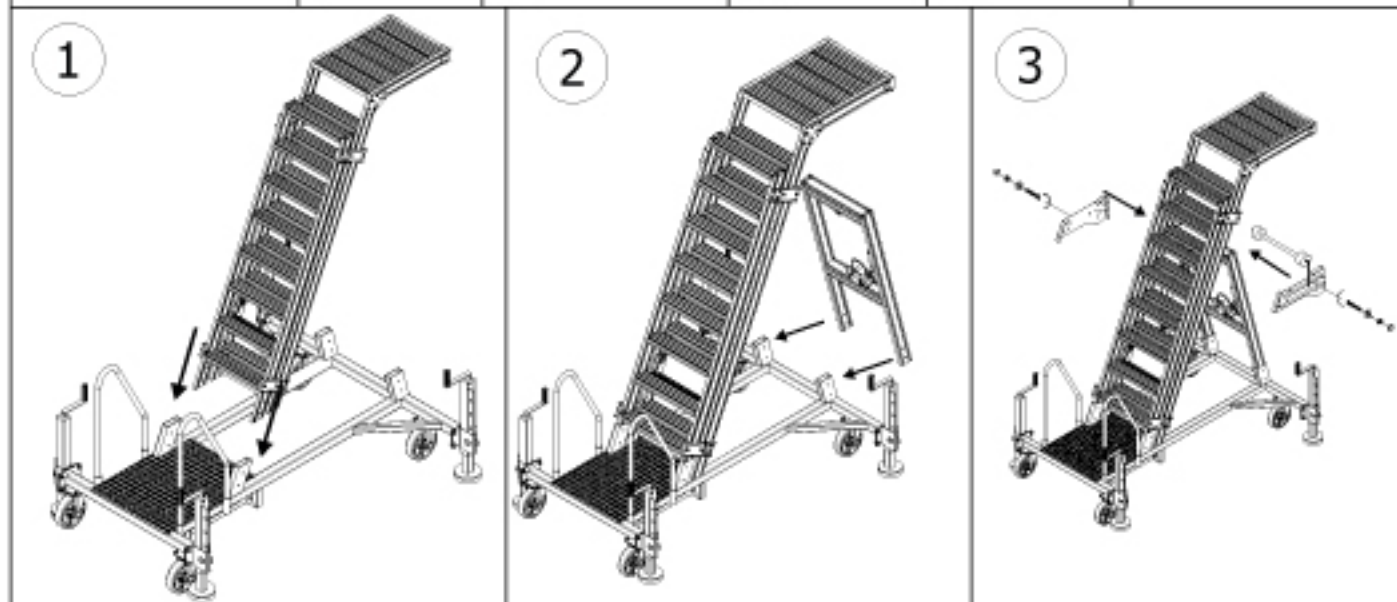
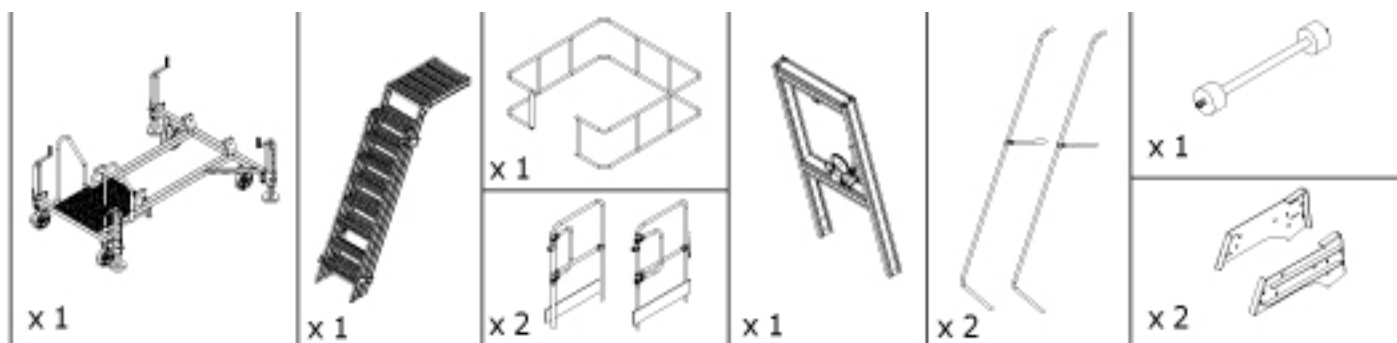
**x 32**



**x 32**

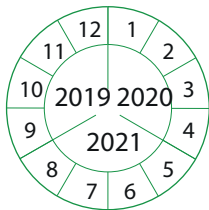
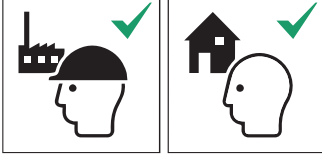
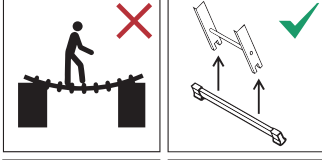
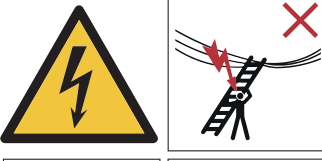
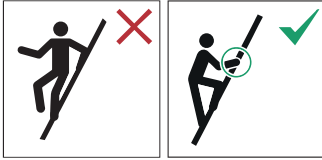
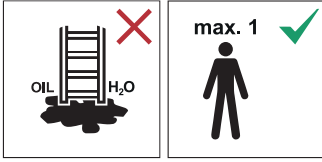
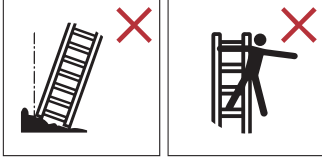
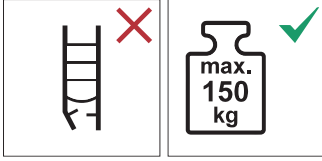


**x 32**



## UYARI / WARNING / WARNUNG

MERDİVENLERİ ŞEKİLLERE UYGUN KULLANINIZ  
USE THE LADDERS AS SHOWN AT THE PICTOGRAMS  
VERWENDEN SIE DIE LEITER, WIE SIE IN DEN PIKTOGRAMMEN GEZEIGT WERDEN

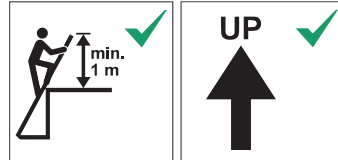
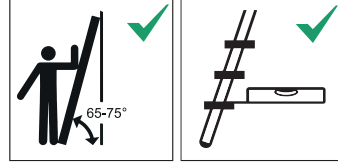


ÜRETİM TARİHİ/PRODUCTION DATE/HERSTELLUNGSDATUM

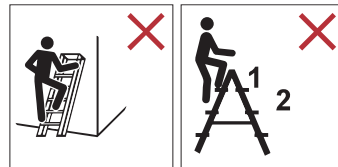
## UYARI / WARNING / WARNUNG

MERDİVENLERİ ŞEKİLLERE UYGUN KULLANINIZ  
USE THE LADDERS AS SHOWN AT THE PICTOGRAMS  
VERWENDEN SIE DIE LEITER, WIE SIE IN DEN PIKTOGRAMMEN GEZEIGT WERDEN

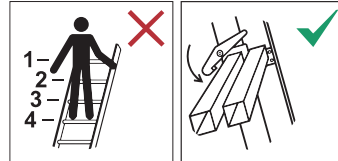
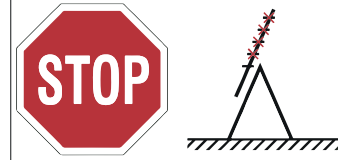
### Dayamalı Merdivenler Leaning Ladders / Anlegeleitern



### Ayakta Durabilen Merdivenler Standing Ladders / Stehleitern



### Çok Amaçlı Merdivenler Combination Ladders / Mehrzweckleitern



### Mobile Platformlu Merdivenler Mobile Ladders with Platform Mobile Podesteitern

