



Stendy

Short

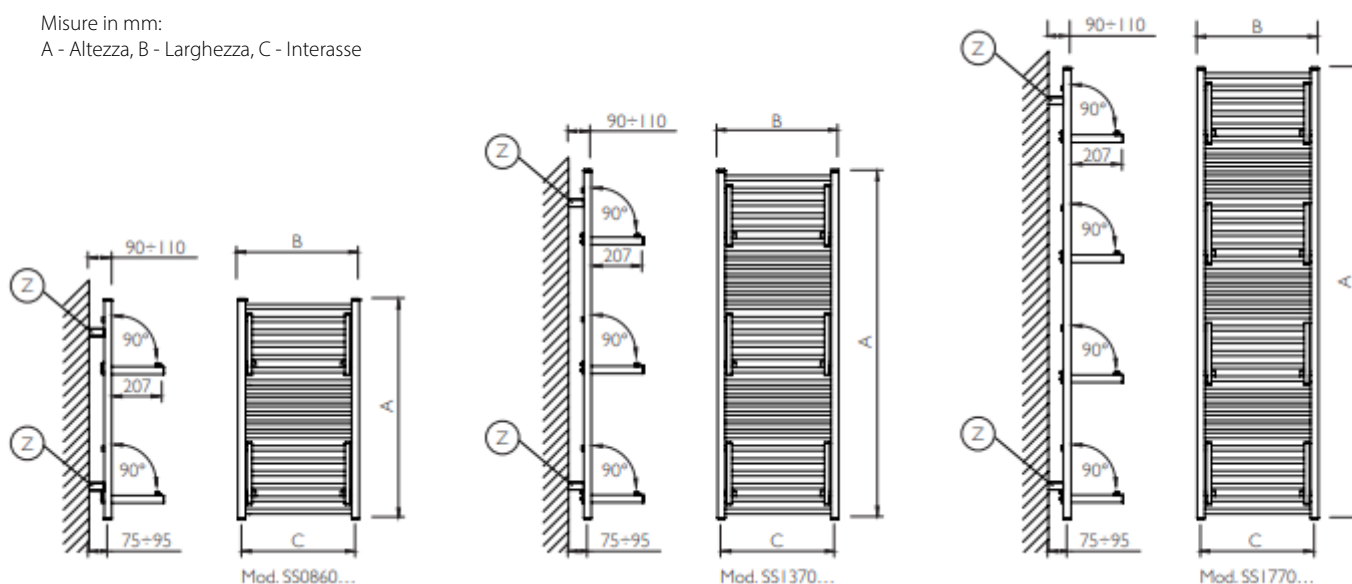
Dati tecnici:

	Ref.	A	B	C	White & Colors			Chrome		Weight	Cap.	
					$\Delta t=50^{\circ}\text{C}$		$\Delta t=30^{\circ}\text{C}$		$\Delta t=50^{\circ}\text{C}$			$\Delta t=30^{\circ}\text{C}$
					W	W	W	W	kg			Lt
086 19 Tubi	SS086048	862	480	450	374 430	197 226	MIN. (close panels) MAX. (open panels)	269 310	142 163	9,1	3,4	
	SS086058	862	580	550	438 504	230 265	MIN. (close panels) MAX. (open panels)	316 363	167 192	9,9	4,0	
137 31 Tubi	SS137048	1372	480	450	605 695	318 365	MIN. (close panels) MAX. (open panels)	435 500	230 264	14,2	5,5	
	SS137058	1372	580	550	709 815	373 428	MIN. (close panels) MAX. (open panels)	511 587	270 310	15,5	6,1	
177 40 Tubi	SS177048	1777	480	450	782 899	411 472	MIN. (close panels) MAX. (open panels)	563 647	297 342	18,5	7,6	
	SS177058	1777	580	550	917 1054	482 554	MIN. (close panels) MAX. (open panels)	660 759	349 401	20,2	8,8	

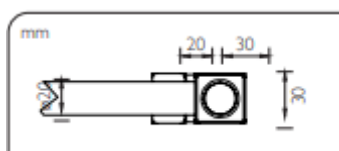
kcal/h = 0,86 x Watt

Misure in mm:

A - Altezza, B - Larghezza, C - Interasse



Dimensioni corpo radiatore



INFORMAZIONI TECNICHE:

Temperatura massima di lavoro: 90°C Pressione massima di lavoro 500kPa

Non disponibile per installazione monotubo

Consultare le raccomandazioni tecniche dettagliate pag. 163