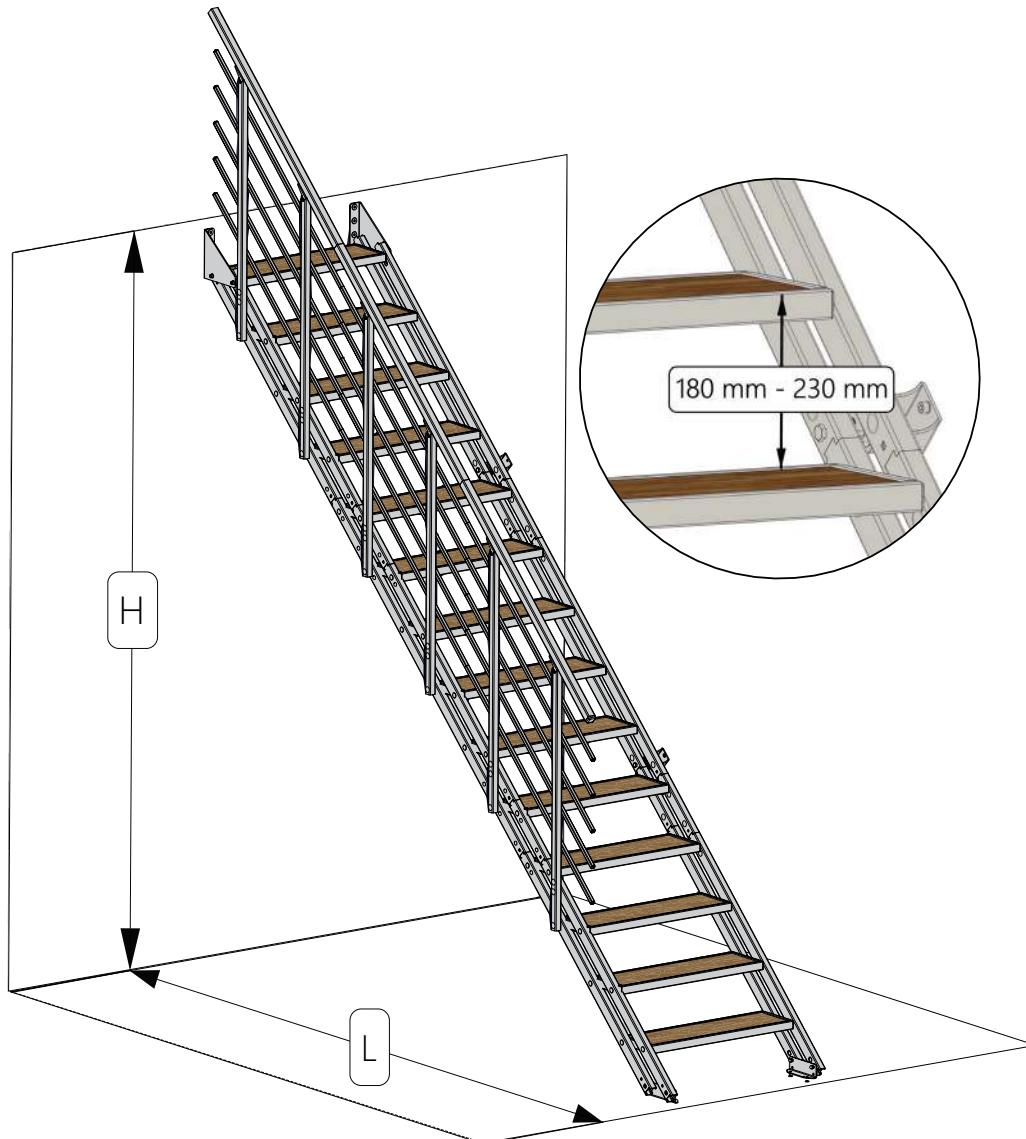
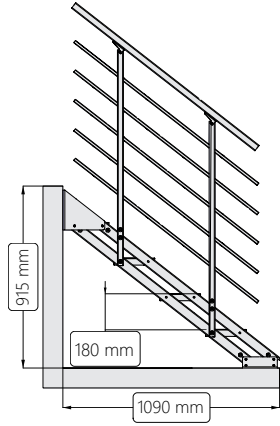
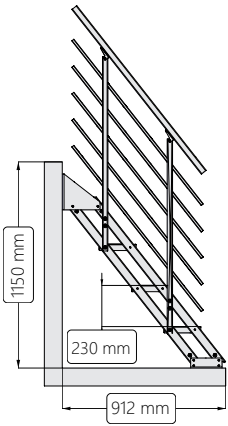


	STEPS	H [mm]	L [mm]	S [mm]
A	4+1	915 - 1150	1090 - 912	180 - 230
	5+1	1095 - 1380	1330 - 1090	180 - 230
	6+1	1275 - 1612	1560 - 1270	180 - 230
B	8+1	1635 - 2072	2020 - 1630	180 - 230
	9+1	1815 - 2302	2250 - 1809	180 - 230
	10+1	1995 - 2532	2477 - 1990	180 - 230
C	12+1	2355 - 2992	2937 - 2350	180 - 230
D	13+1	2532 - 3222	3170 - 2530	180 - 230
	14+1	2715 - 3452	3400 - 2710	180 - 230



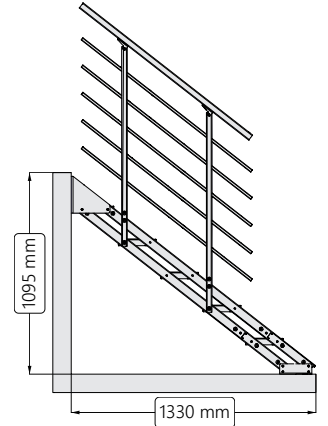
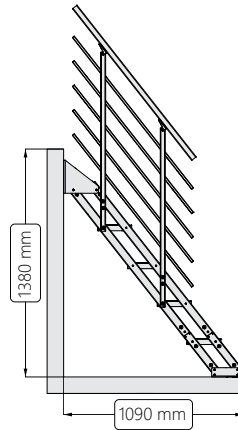
A

4+1 STEPS



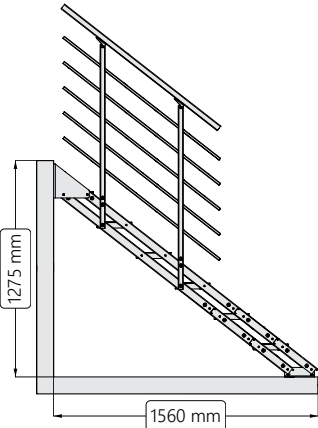
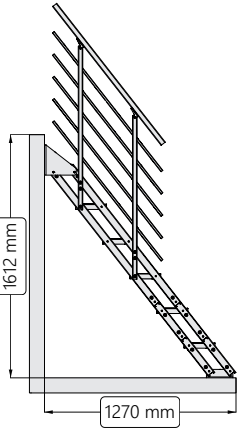
A

5+1 STEPS



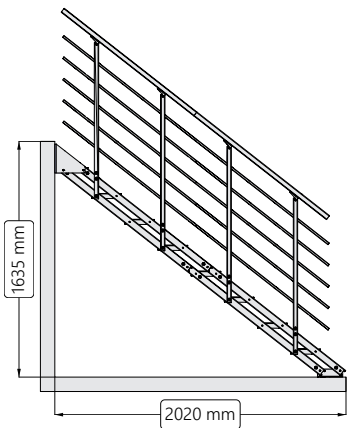
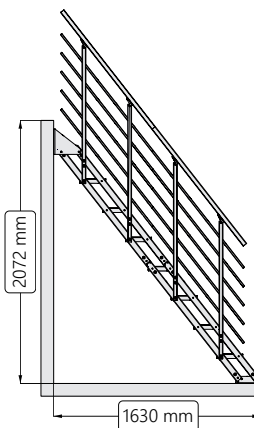
A

6+1 STEPS



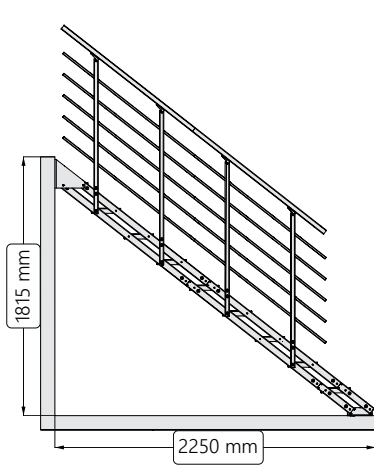
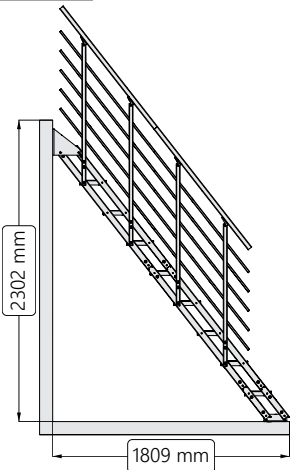
B

8+1 STEPS



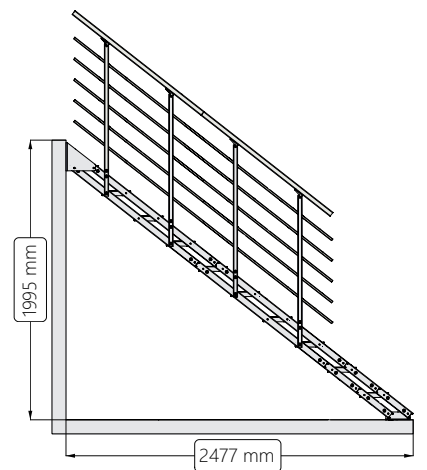
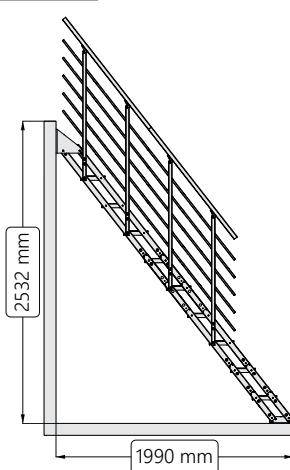
B

9+1 STEPS



B

10+1 STEPS

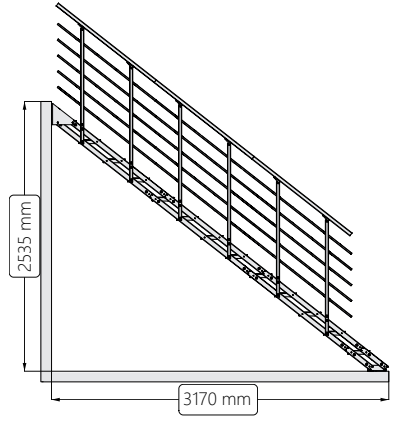
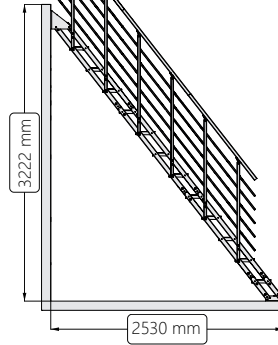
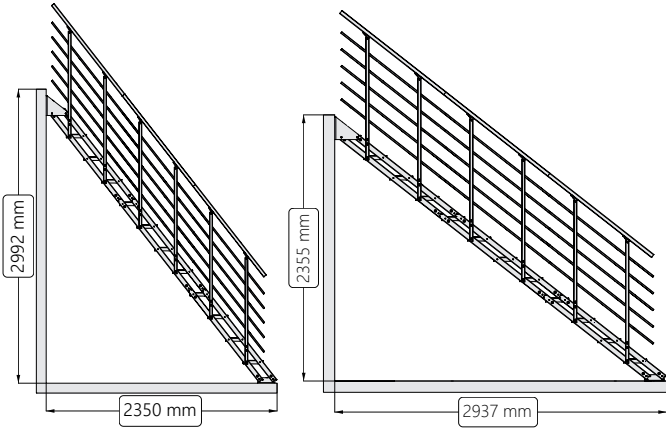


C

12+1 STEPS

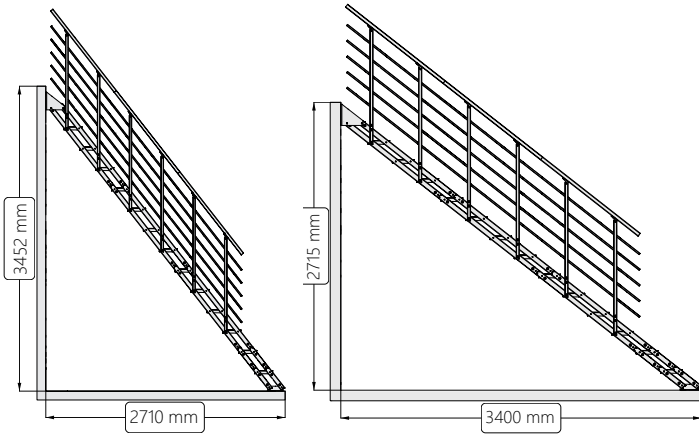
D

13+1 STEPS

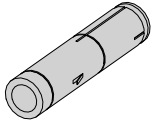


D

14+1 STEPS

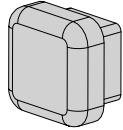


A=14x
B=14x
C=14x
D=14x



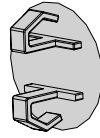
D01 Ø12mm

A=10x
B=10x
C=10x
D=10x



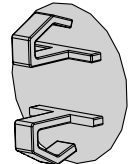
KS08 15x15mm

A=10x
B=20x
C=30x
D=30x



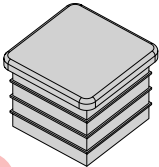
KS09 Ø13mm

A=30x
B=44x
C=42x
D=58x



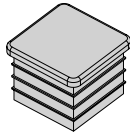
KS10 Ø20mm

A=2x
B=2x
C=2x
D=2x



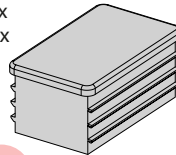
KS14 34x34mm

A=2x
B=4x
C=6x
D=6x



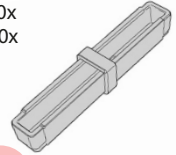
KS16 30x30mm

A=4x
B=4x
C=4x
D=4x



KS17 50x30mm

A=0x
B=5x
C=10x
D=10x



KS24 12x12x80mm

A=12x
B=20x
C=24x
D=28x



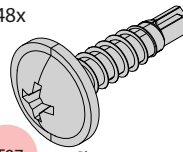
HS22

A=6x
B=10x
C=12x
D=14x



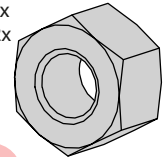
HS23

A=12x
B=34x
C=48x
D=48x



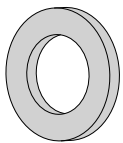
NT07 Ø4.2x19mm

A=26x
B=34x
C=26x
D=42x



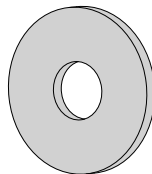
NT24 M8

A=74x
B=104x
C=110x
D=134x



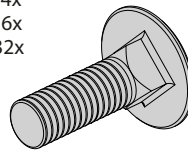
NT26 M8 DIN125A

A=6x
B=6x
C=6x
D=6x



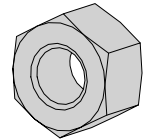
NT37 M8 DIN9021

A=16x
B=24x
C=16x
D=32x



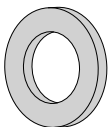
NT41 M8x25mm

A=12x
B=12x
C=12x
D=12x



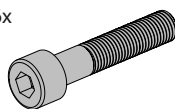
NT45 M6

A=12x
B=12x
C=12x
D=12x



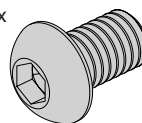
NT50 M6 DIN125A

A=30x
B=38x
C=24x
D=46x



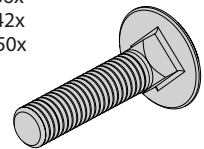
NT54 M8x55mm

A=12x
B=12x
C=12x
D=12x



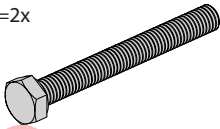
NT68 M6x10mm

A=22x
B=36x
C=42x
D=50x



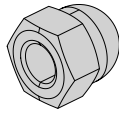
NT72 M8x40mm

A=0x
B=1x
C=2x
D=2x



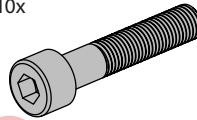
NT73 M8x90mm

A=32x
B=48x
C=52x
D=64x



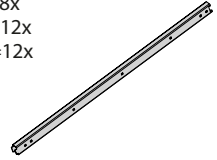
NT74 M8

A=6x
B=8x
C=10x
D=10x



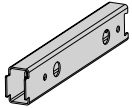
NT75 M8x40mm

A=4x
B=8x
C=12x
D=12x



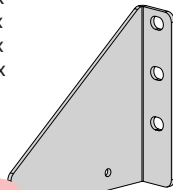
ST57

A=8x
B=8x
C=0x
D=8x



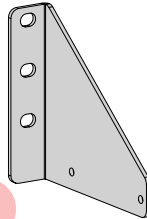
ST58

A=1x
B=1x
C=1x
D=1x



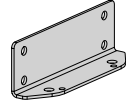
ST59

A=1x
B=1x
C=1x
D=1x



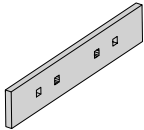
ST60

A=2x
B=2x
C=2x
D=2x



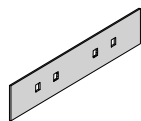
ST61

A=8x
B=12x
C=8x
D=16x



ST62

A=8x
B=12x
C=8x
D=16x



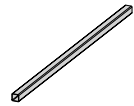
ST63

A=2x
B=4x
C=6x
D=6x



ST64 30x30x1085mm

A=1x
B=2x
C=3x
D=3x



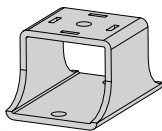
ST65 35x35x1168mm

A=5x
B=10x
C=15x
D=15x



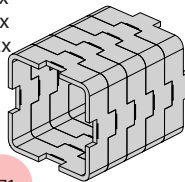
ST66 15x15x1168mm

A=0x
B=1x
C=2x
D=2x



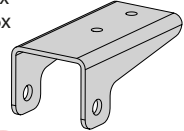
ST70

A=0x
B=1x
C=2x
D=2x



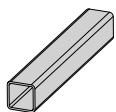
ST71

A=2x
B=4x
C=6x
D=6x



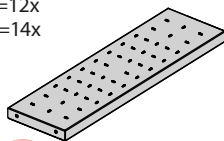
ST125

A=0x
B=1x
C=2x
D=2x

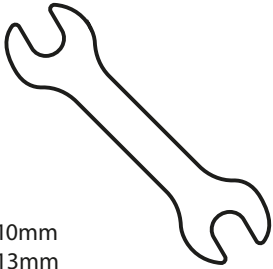


ST129 30x30x200mm

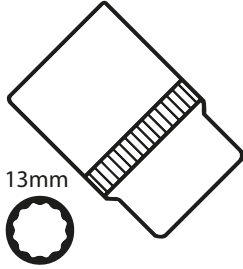
A=6x
B=10x
C=12x
D=14x



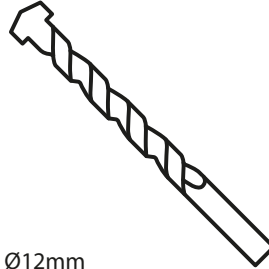
ST163



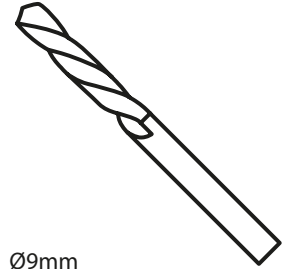
10mm
13mm



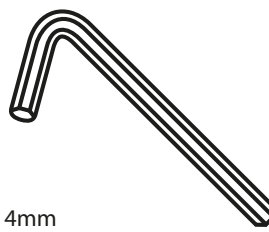
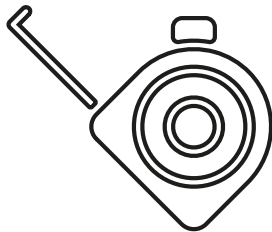
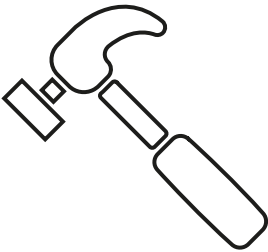
13mm



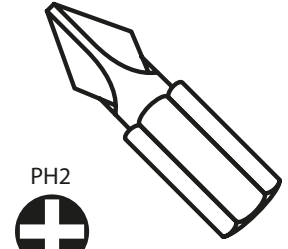
Ø12mm



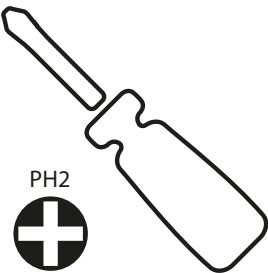
Ø9mm



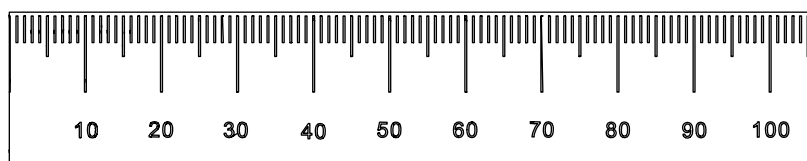
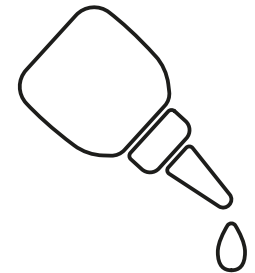
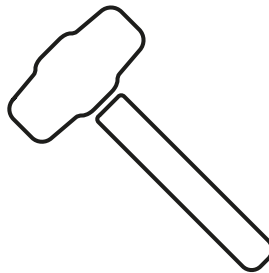
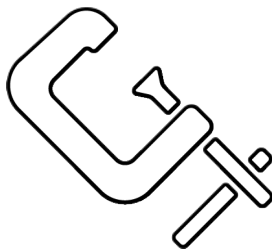
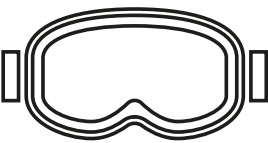
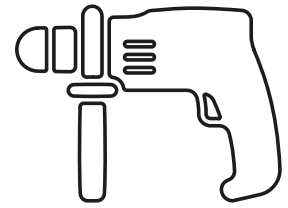
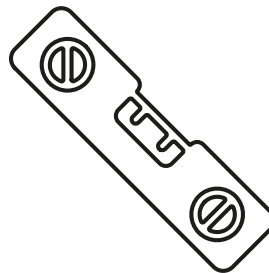
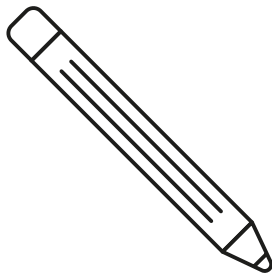
4mm
5mm



PH2

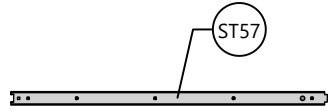


PH2

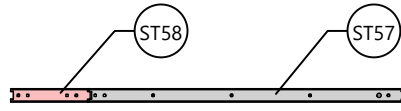


A

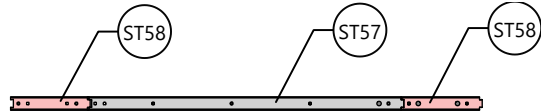
4+1 STEPS



5+1 STEPS

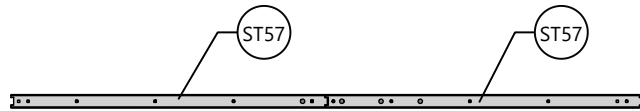


6+1 STEPS

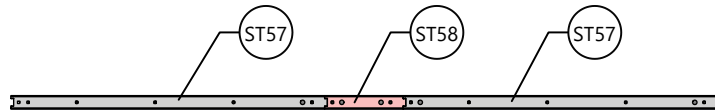


B

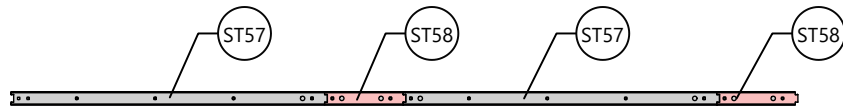
8+1 STEPS



9+1 STEPS

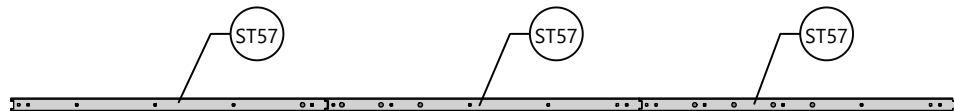


10+1 STEPS



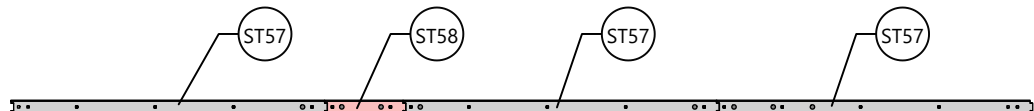
C

12+1 STEPS

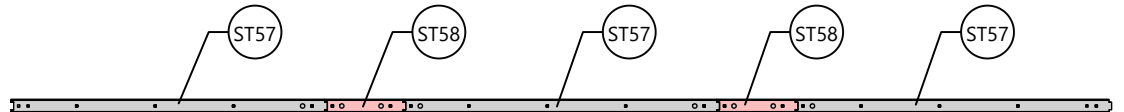


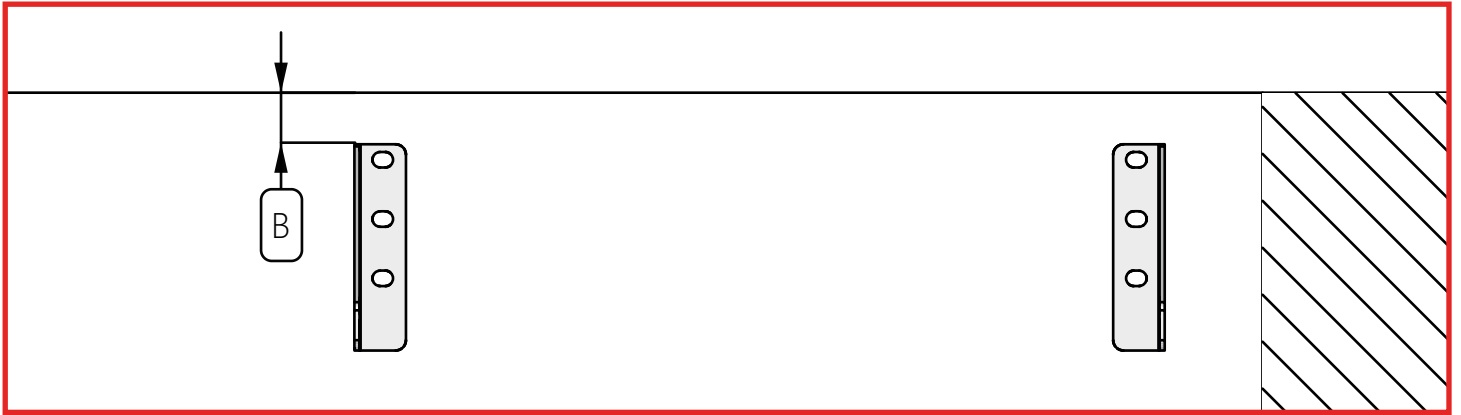
D

13+1 STEPS



14+1 STEPS





$$S(\text{mm}) = \frac{H}{n + 1}$$

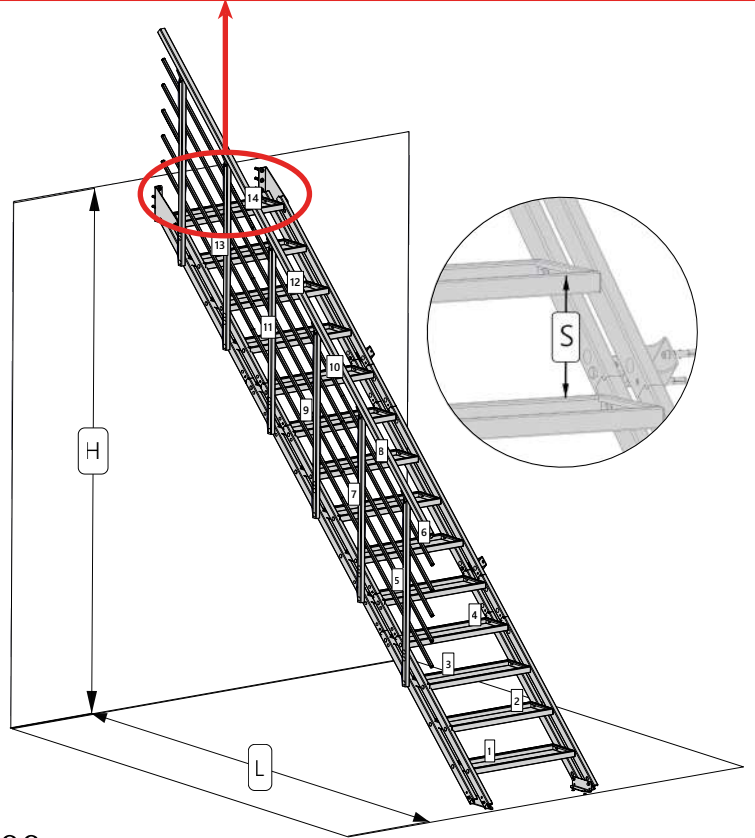
$$B(\text{mm}) = \frac{H - S}{n} - 162.5$$

Steps = n = 1...14

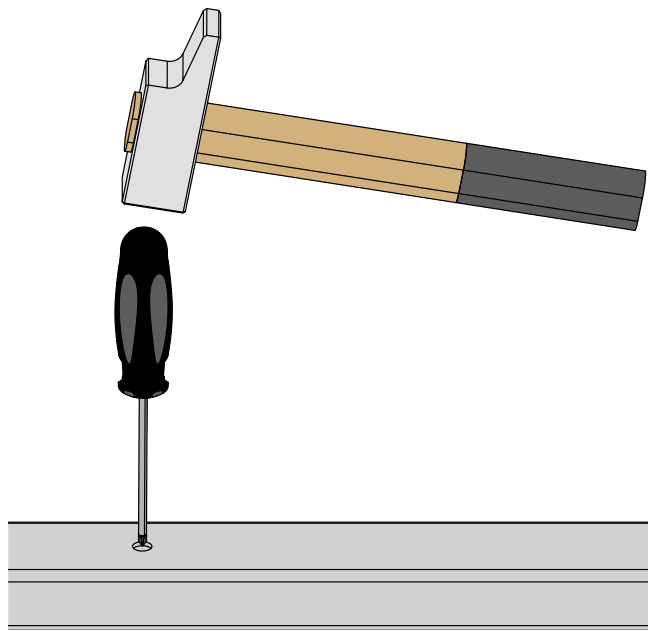
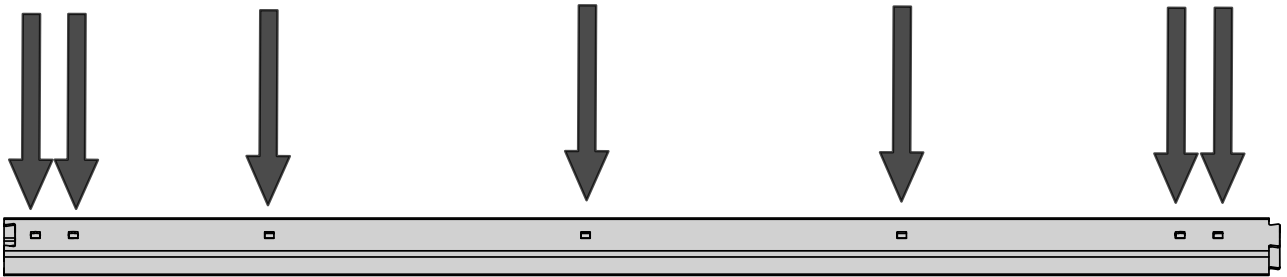
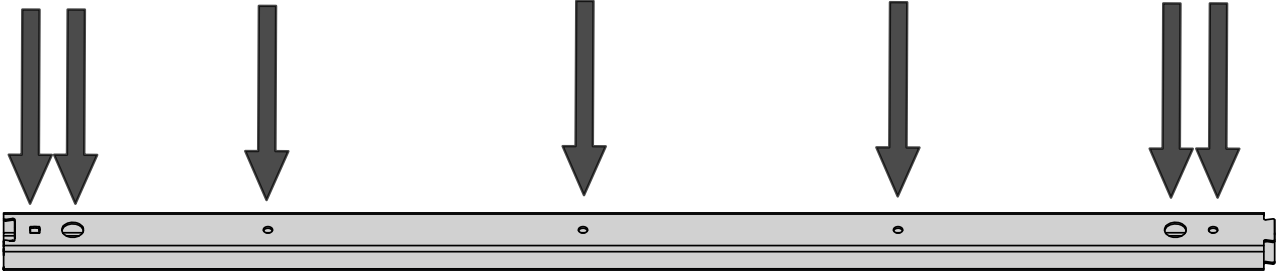
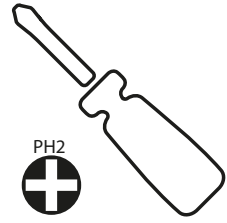
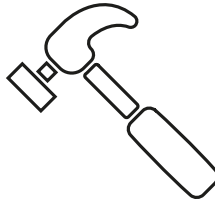
$$H = 3000 \text{ mm} \quad n = 14$$

$$S(\text{mm}) = \frac{(H = 3000 \text{ mm})}{(n = 14) + 1} = 200 \text{ mm}$$

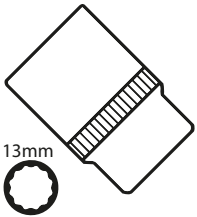
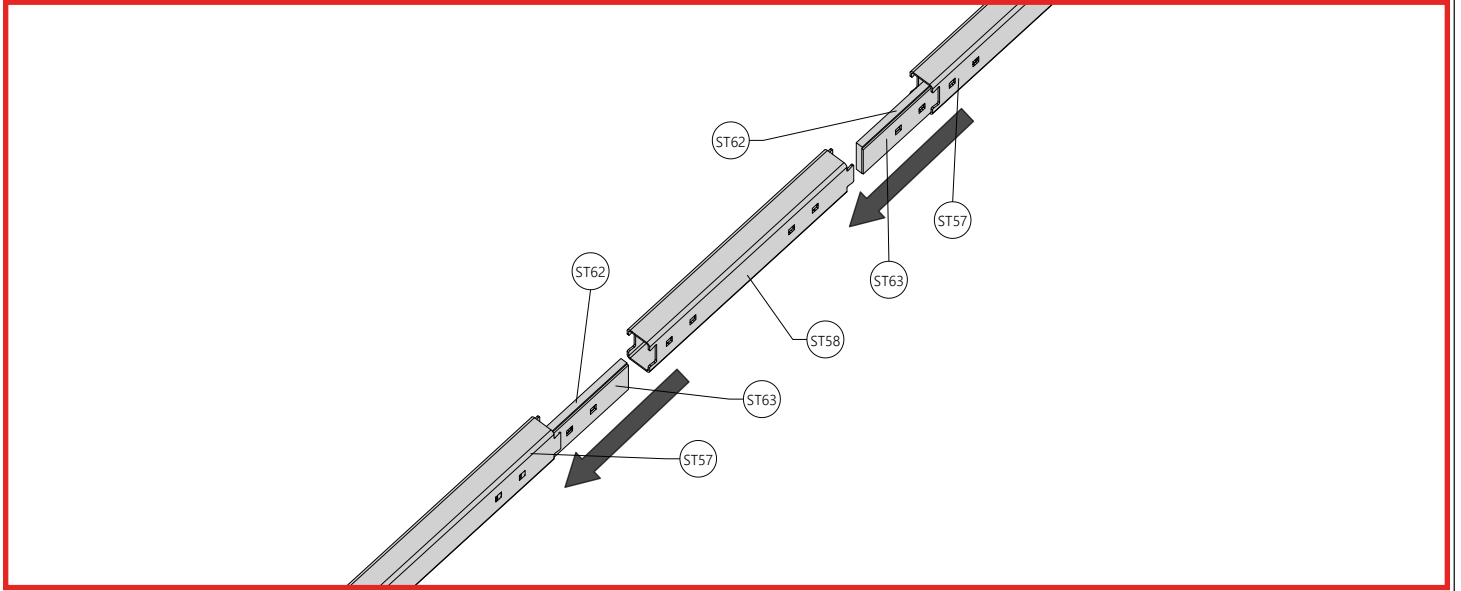
$$B(\text{mm}) = \frac{(H = 3000 \text{ mm}) - (S = 200 \text{ mm})}{(n = 14)} - 162.5 = 37.5 \text{ mm}$$



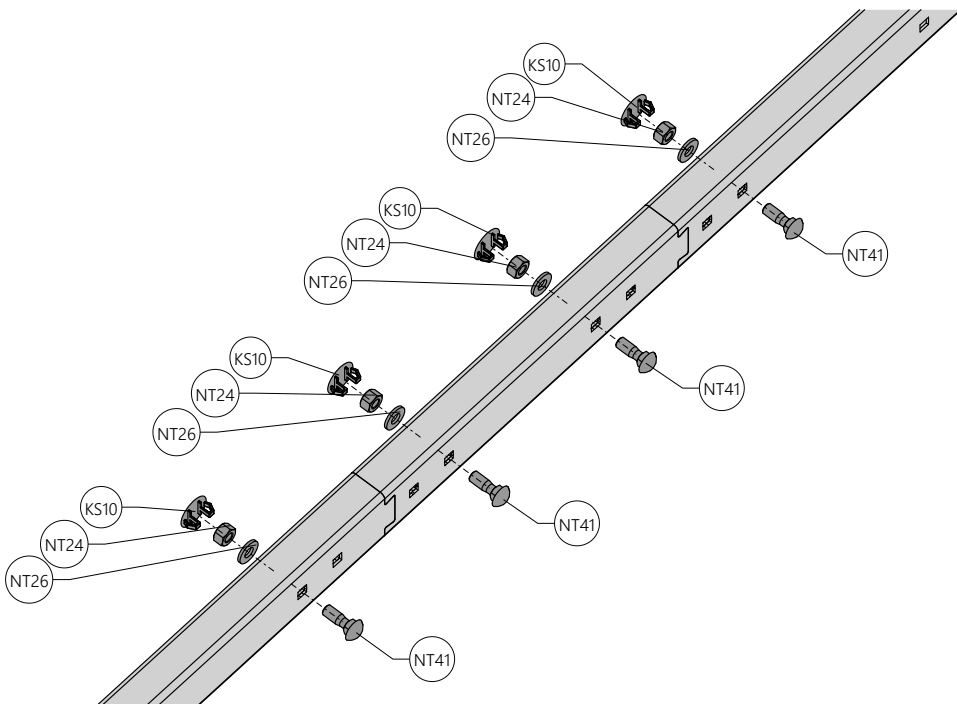
1



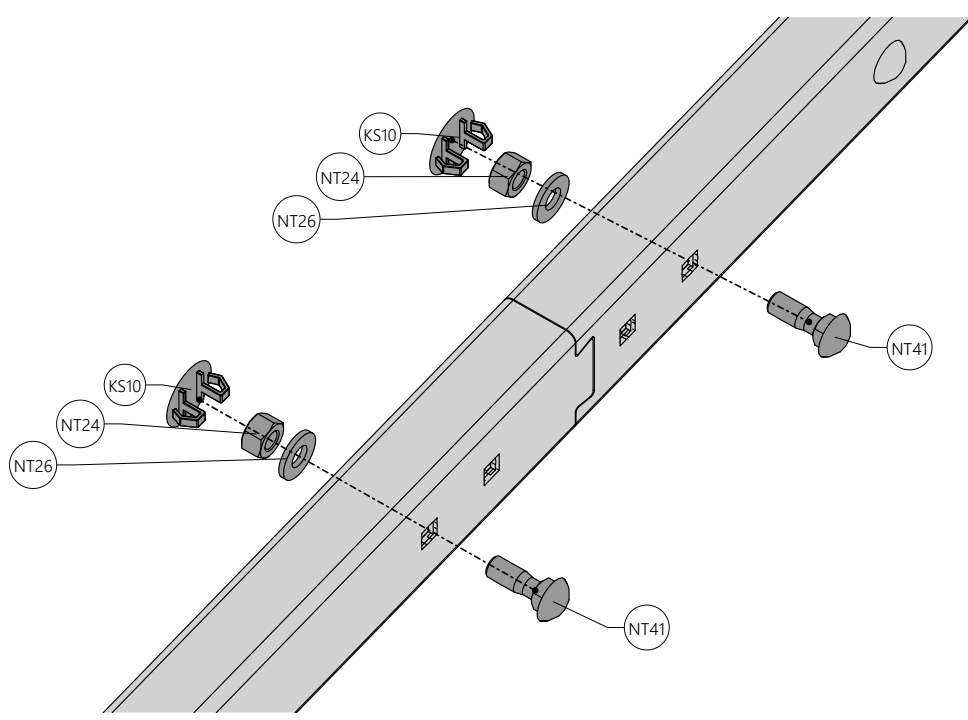
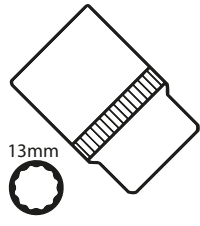
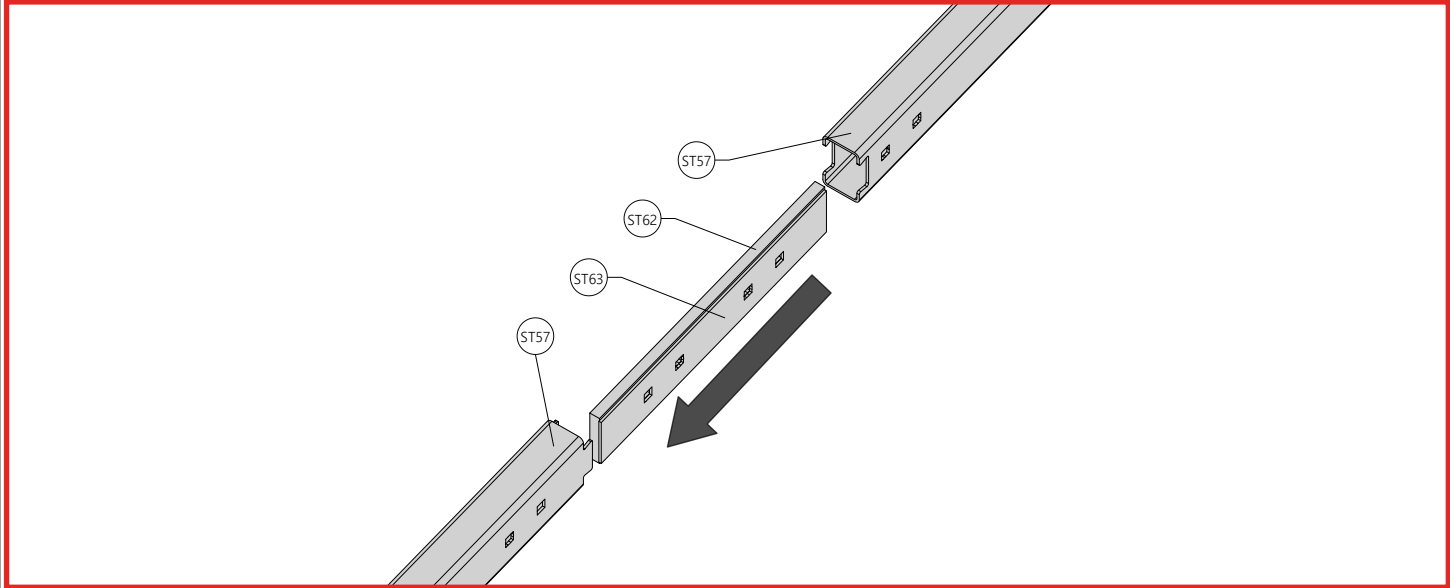
2



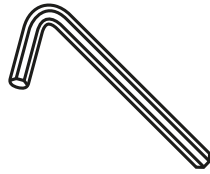
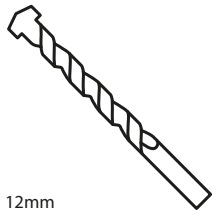
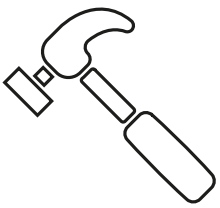
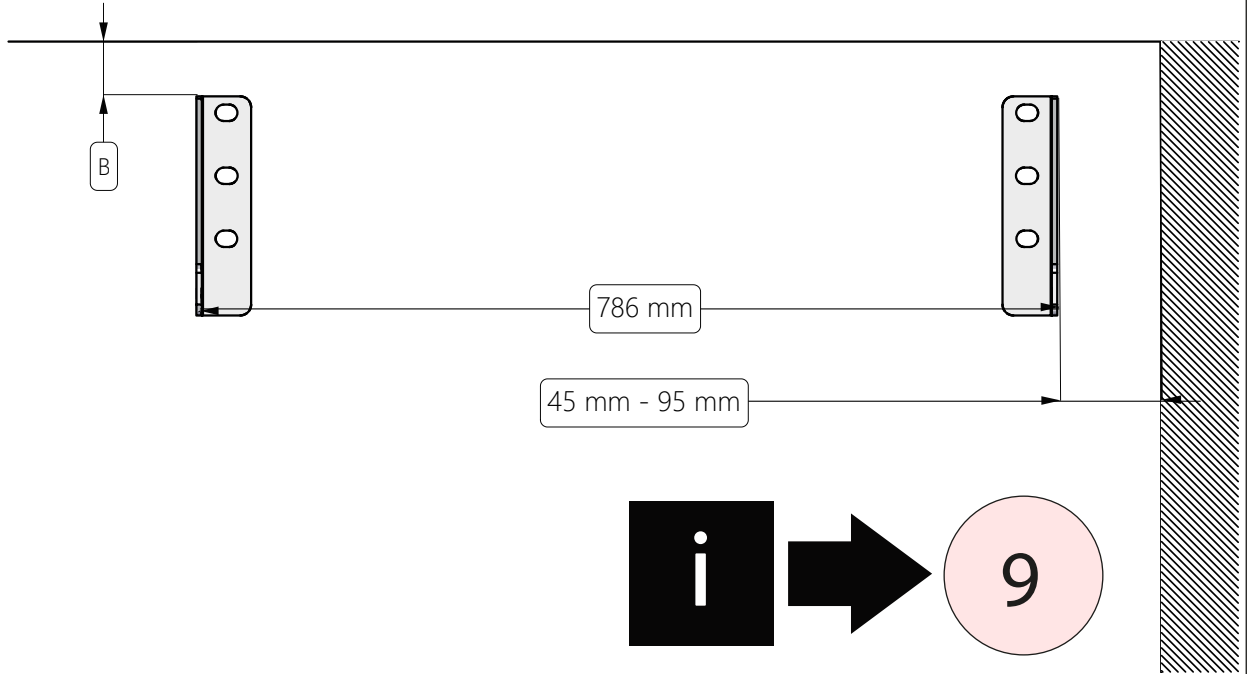
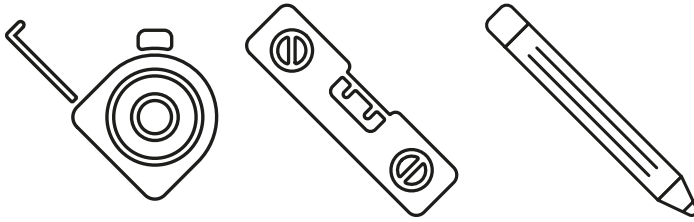
13mm



3

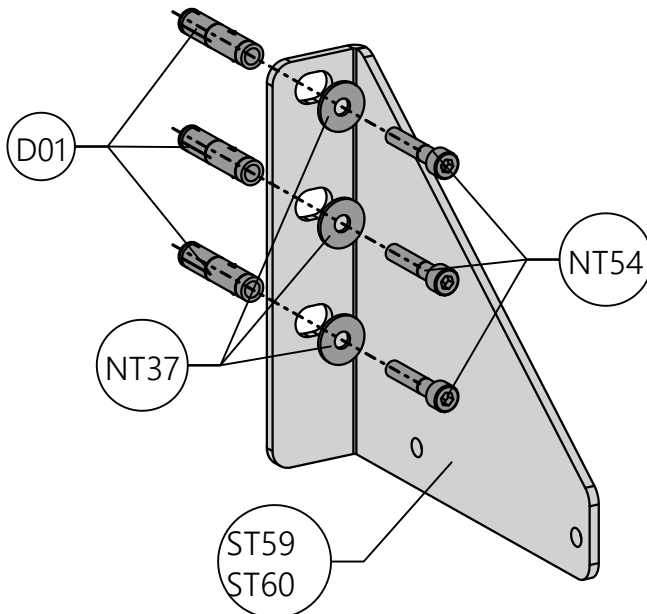
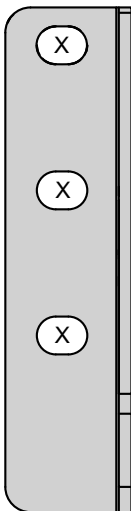


6

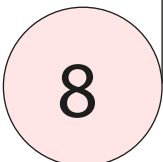
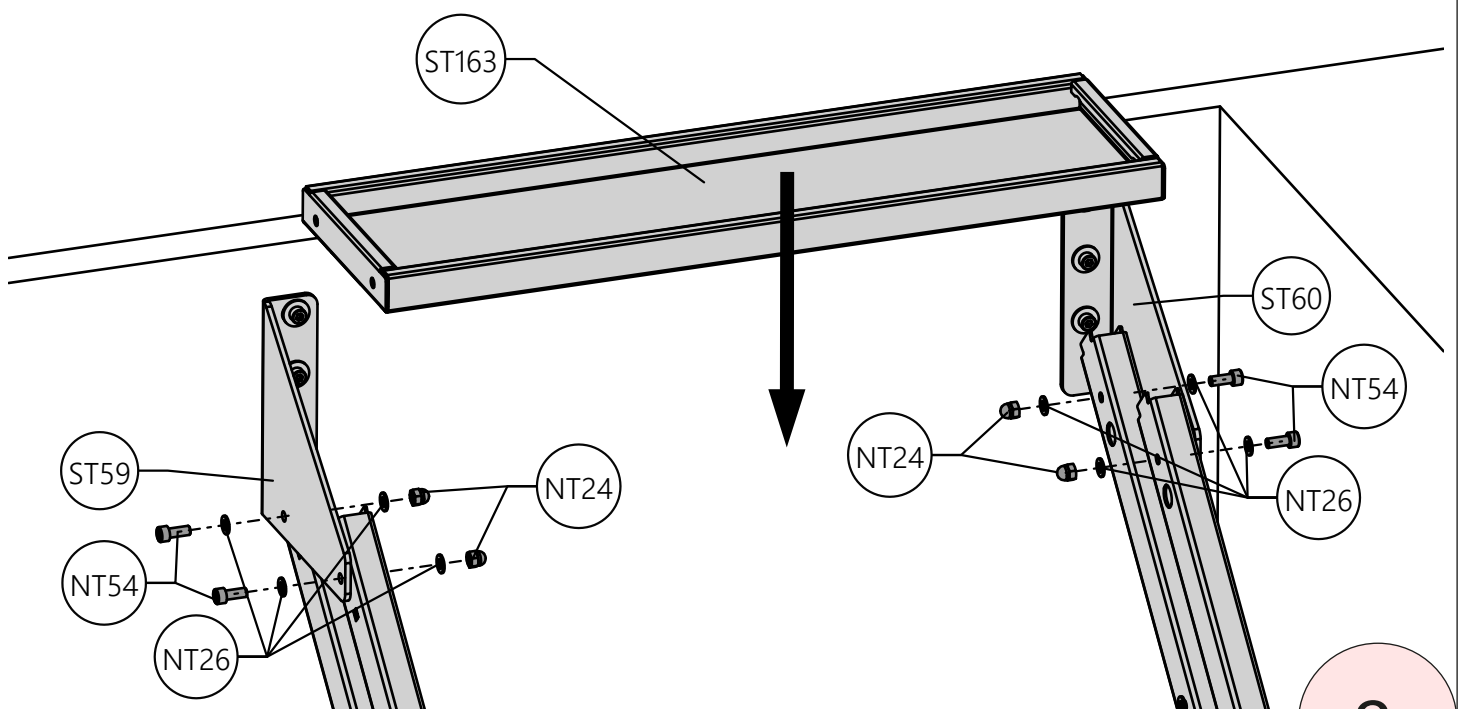
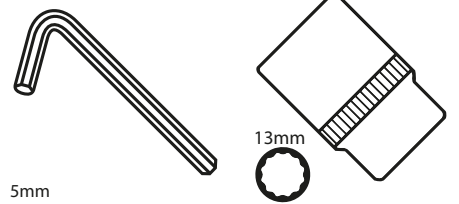
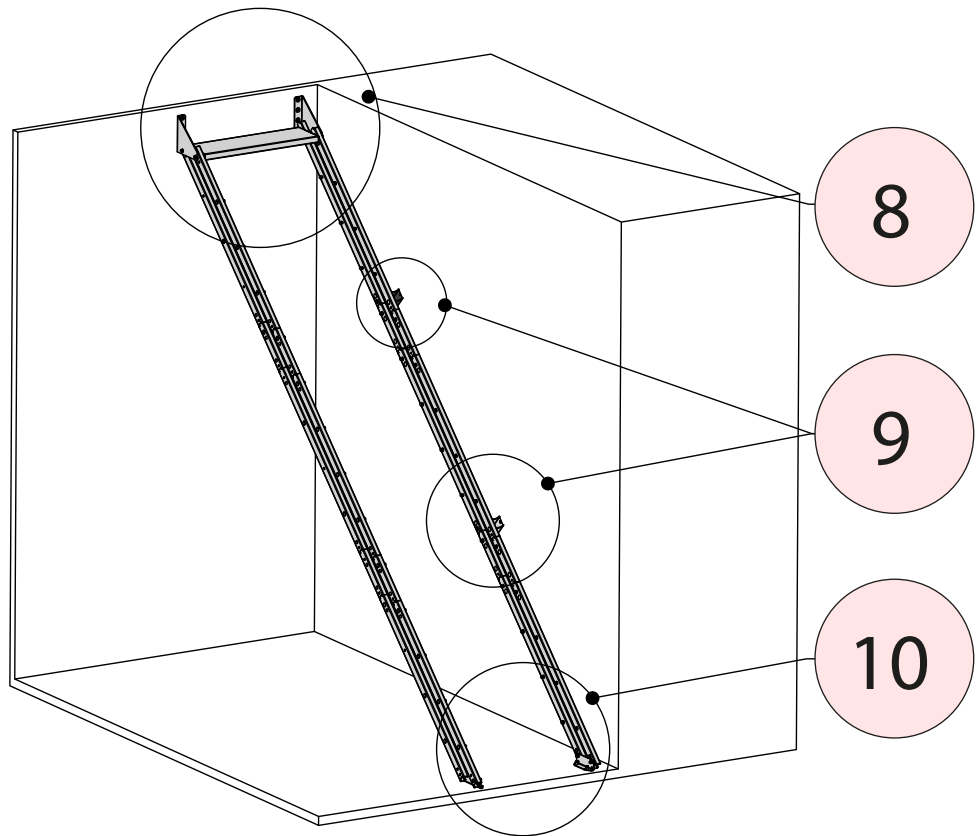


12mm

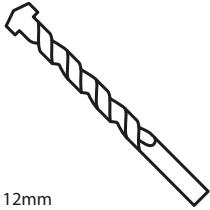
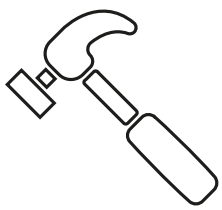
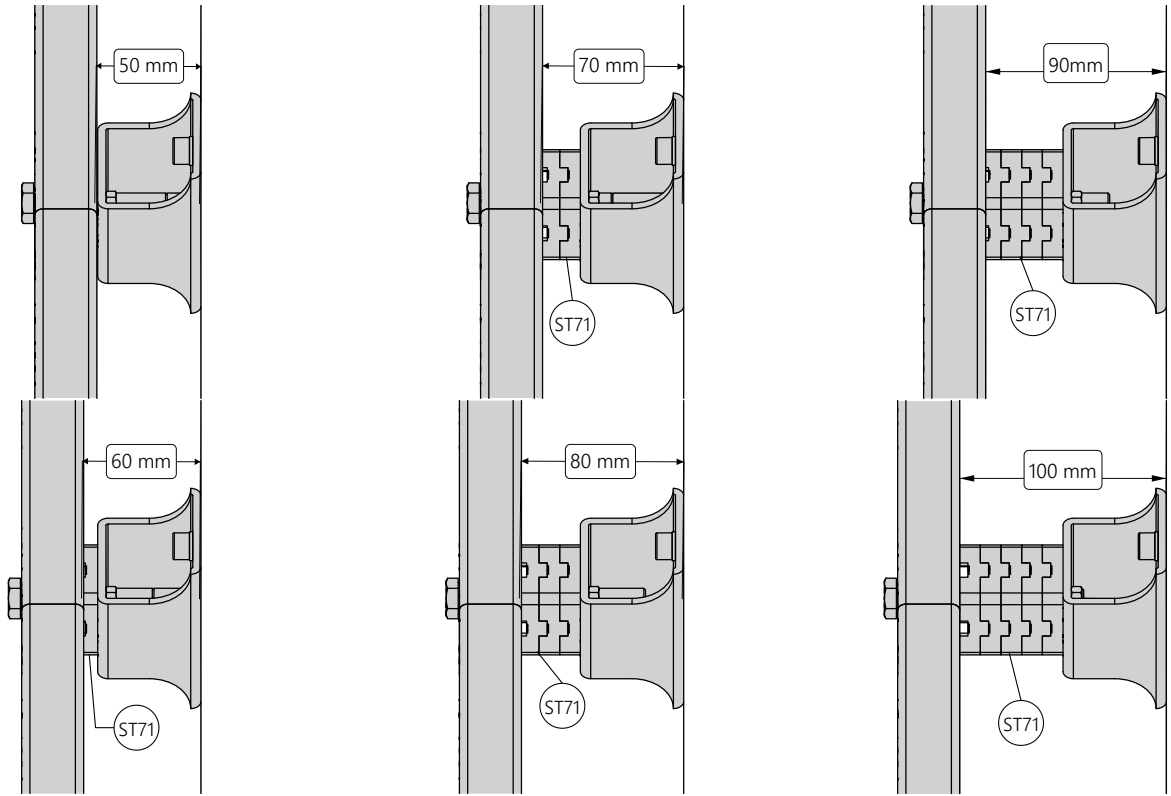
5mm



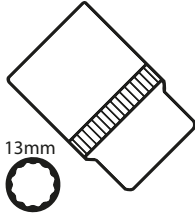
7



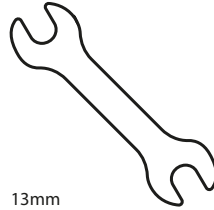
9



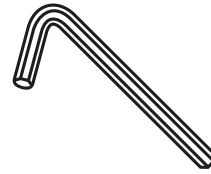
12mm



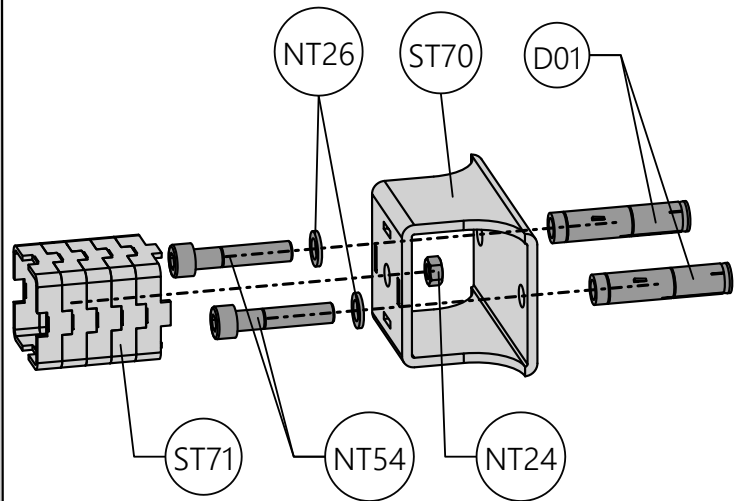
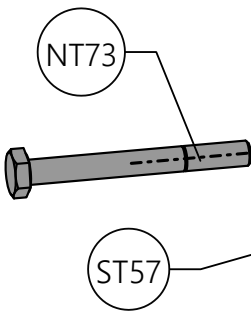
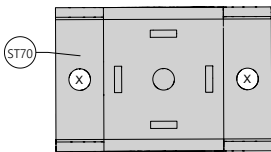
13mm



13mm

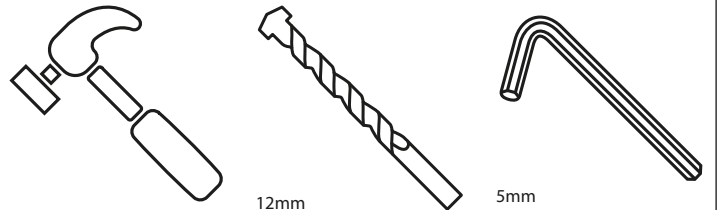
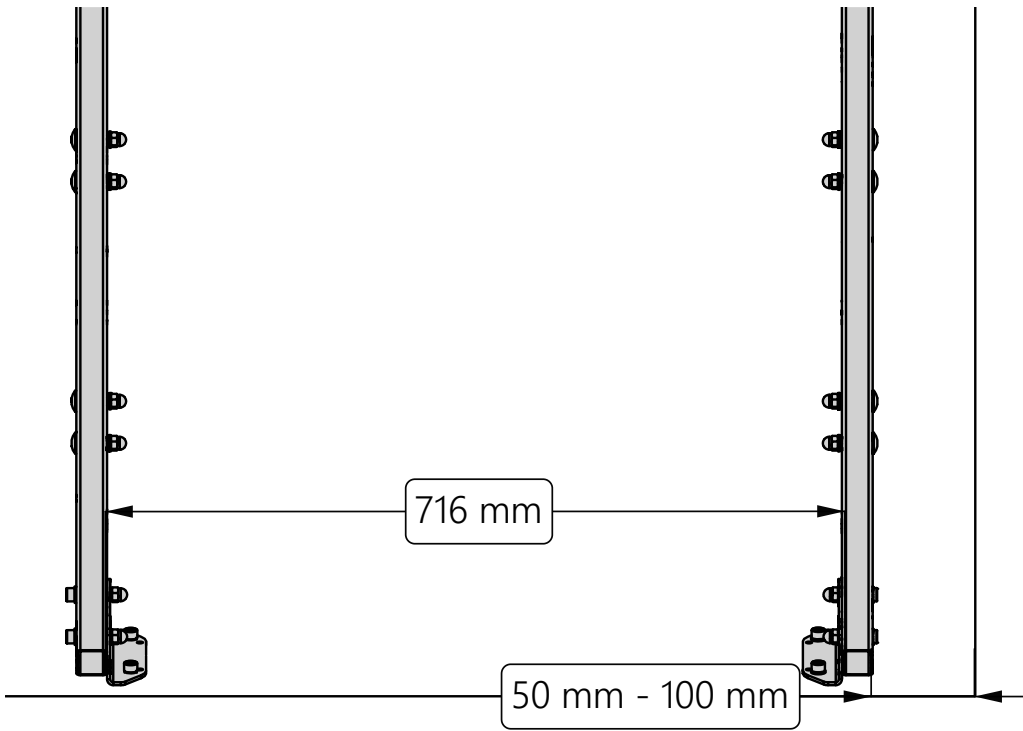
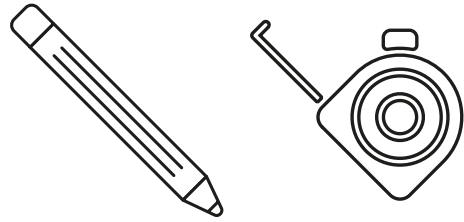


5mm



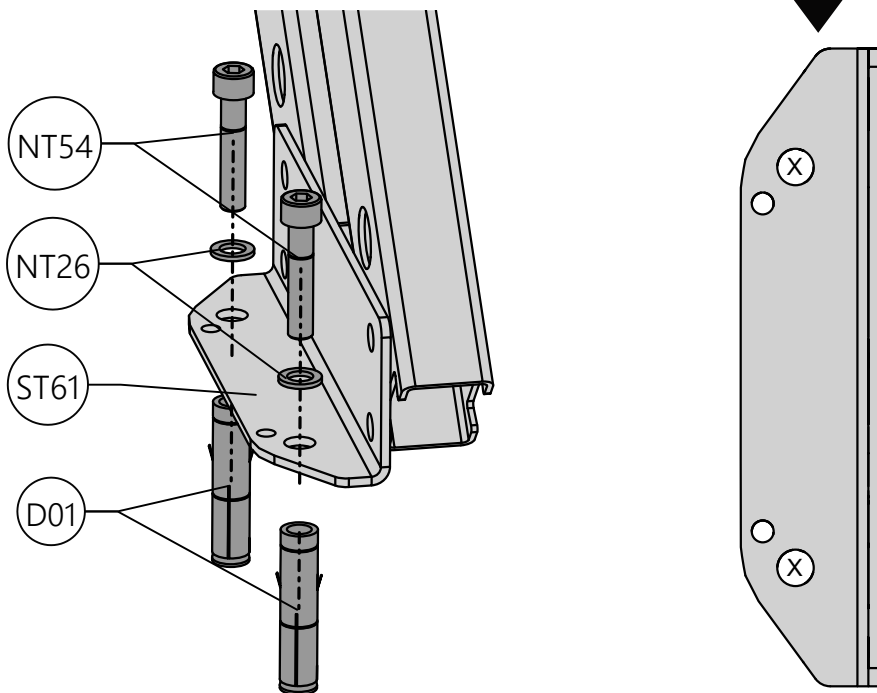
9b

10



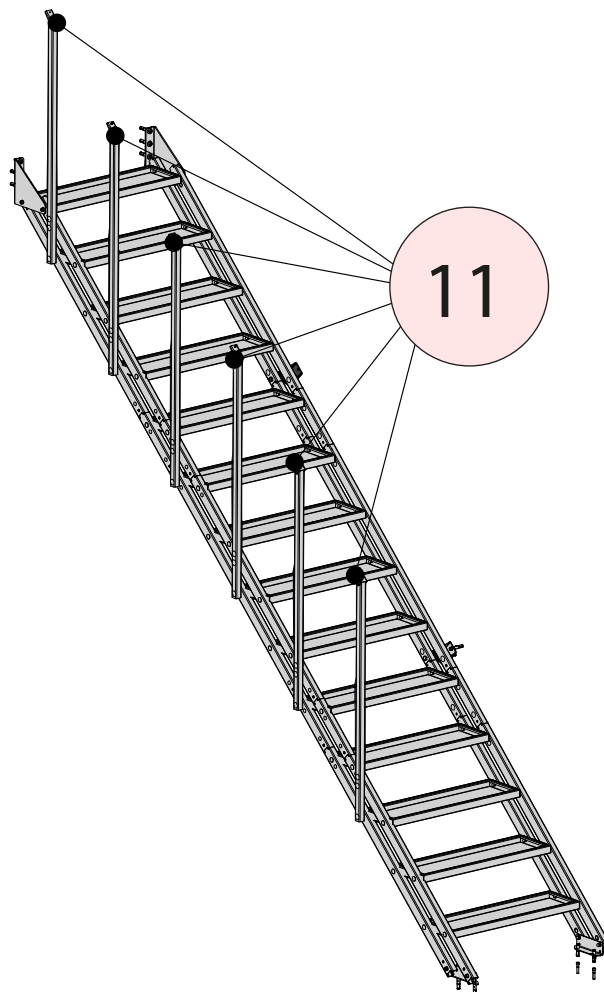
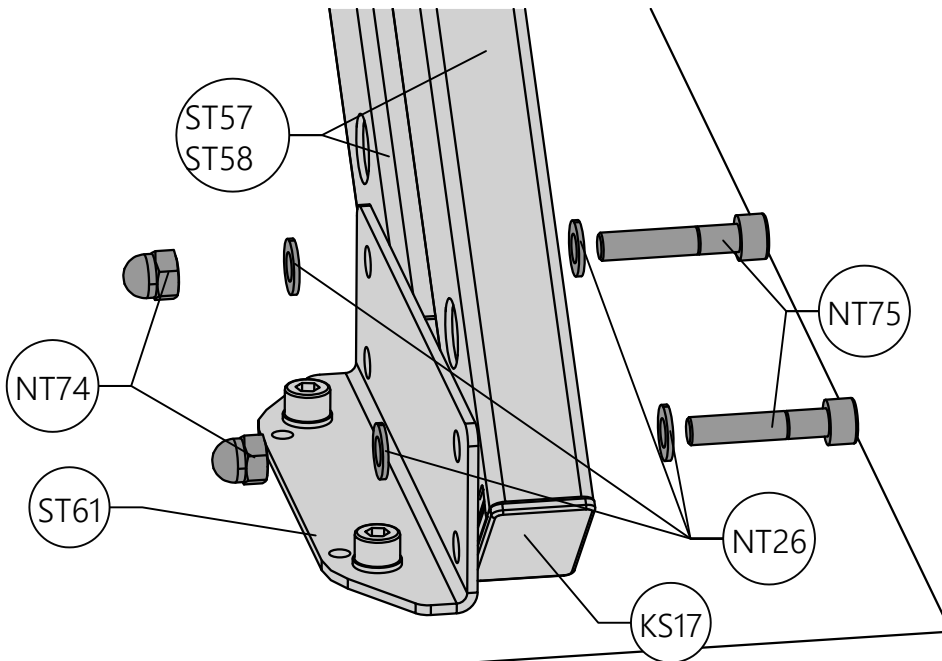
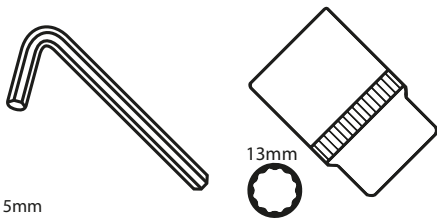
12mm

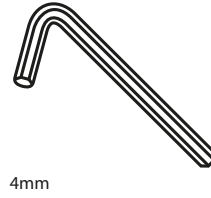
5mm



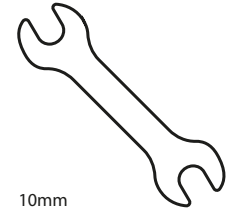
10b

10c

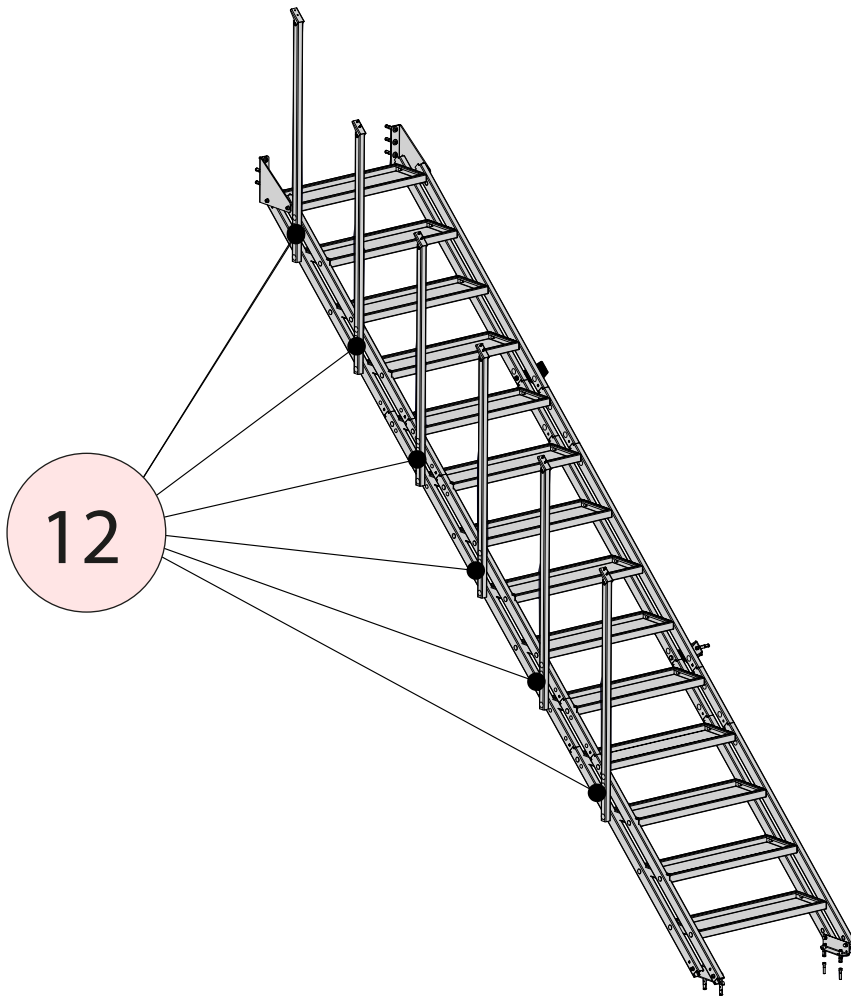
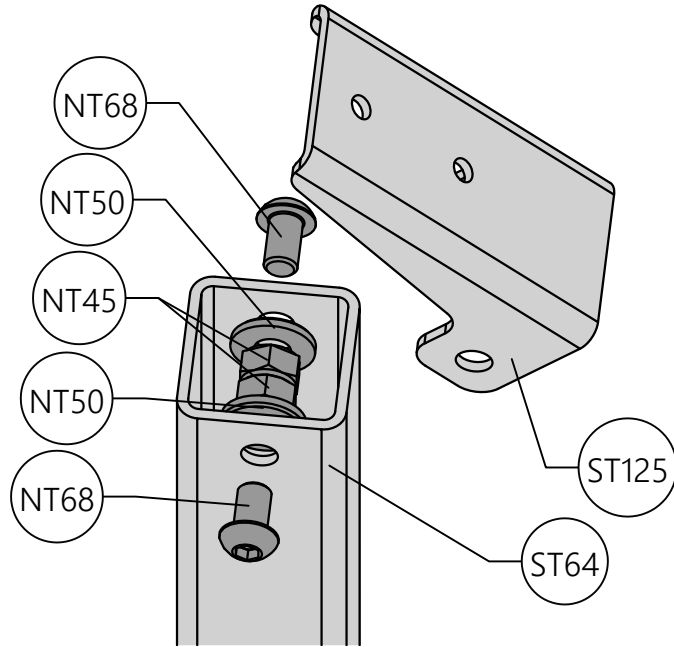




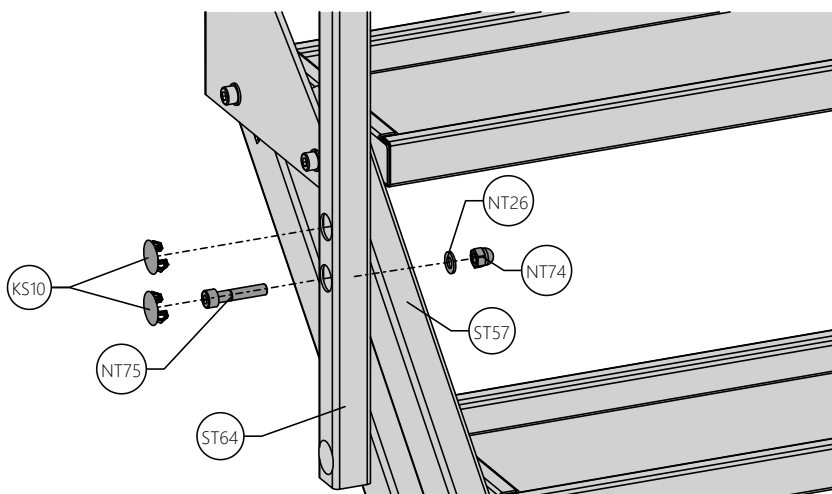
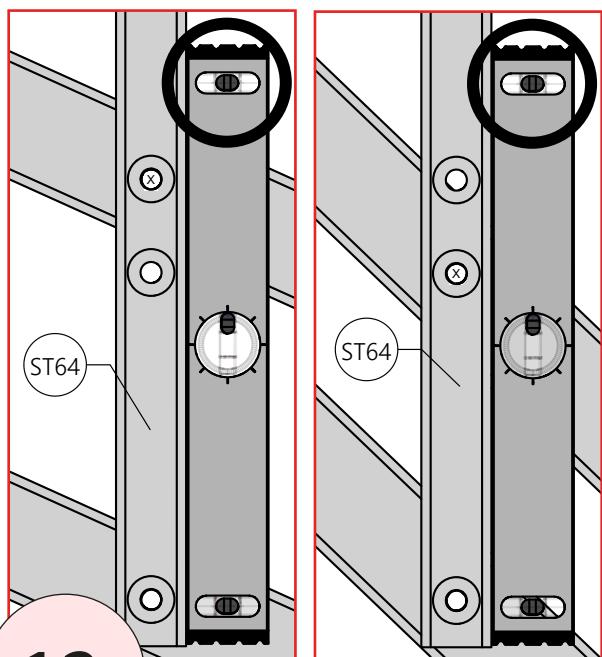
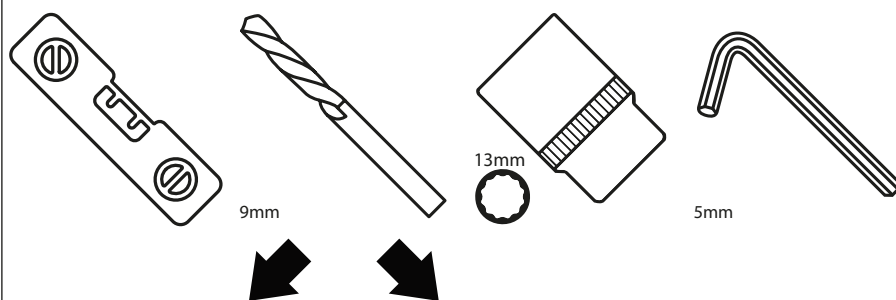
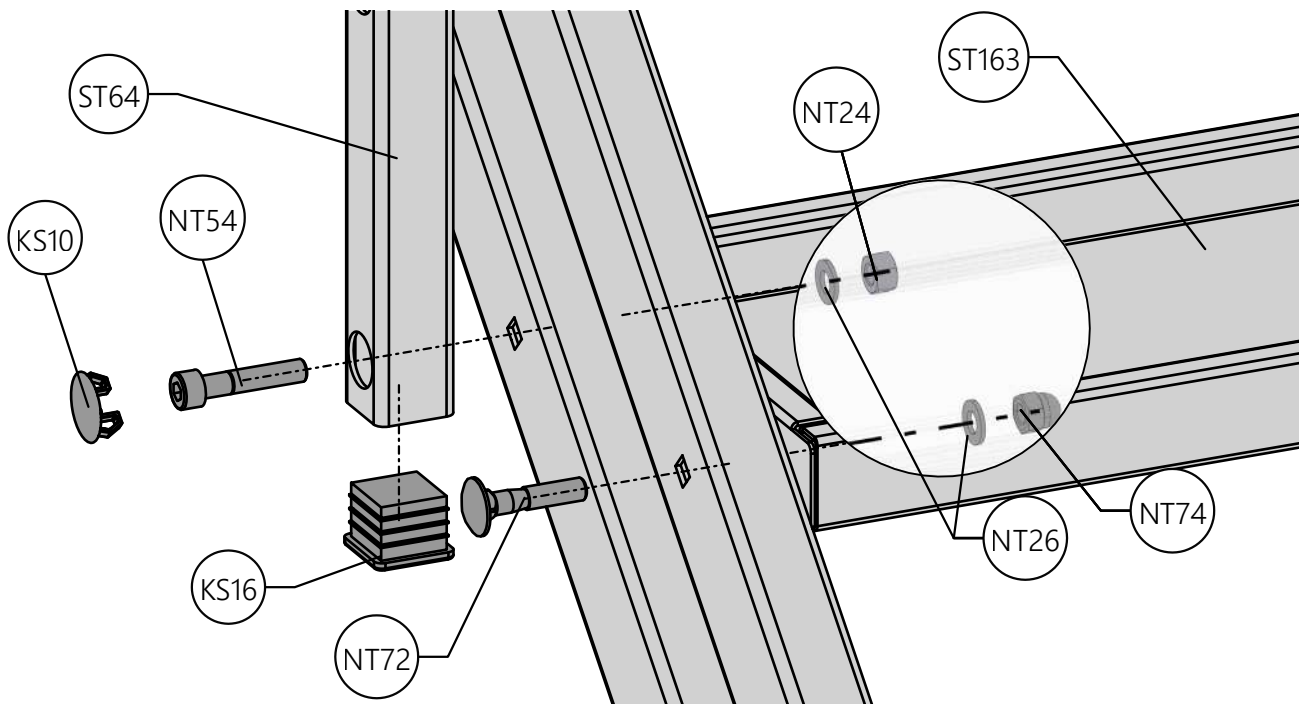
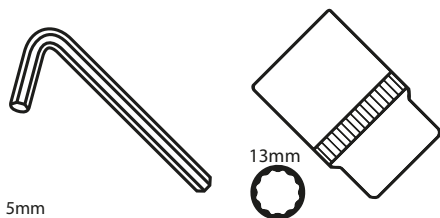
4mm



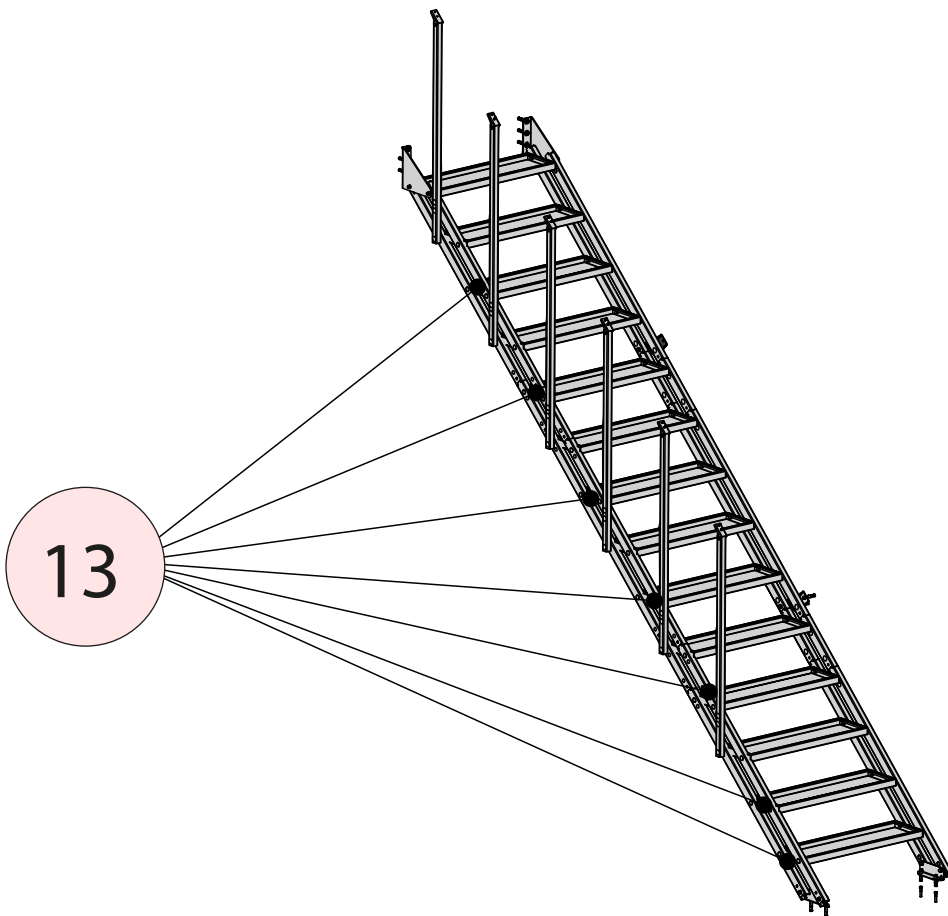
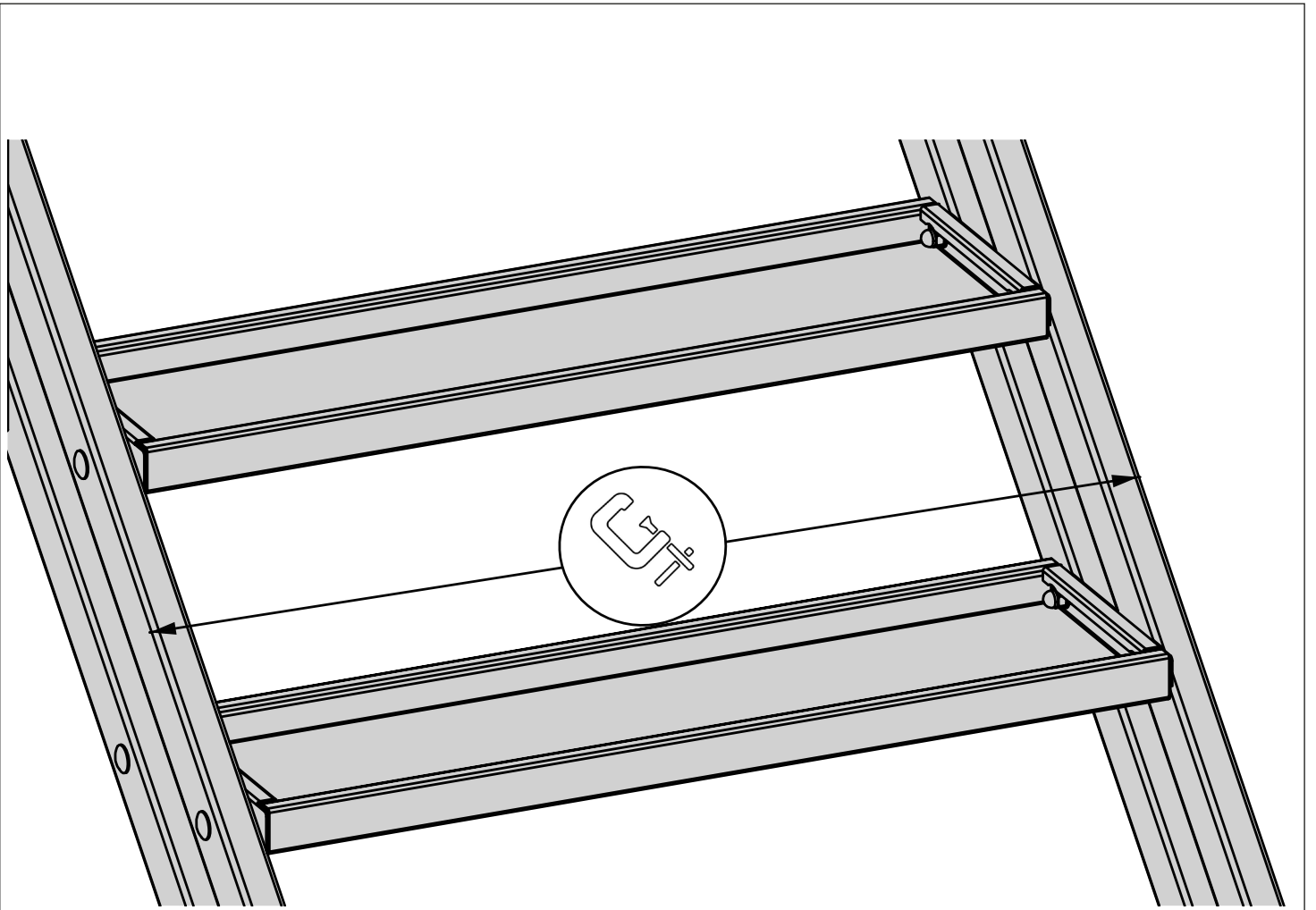
10mm



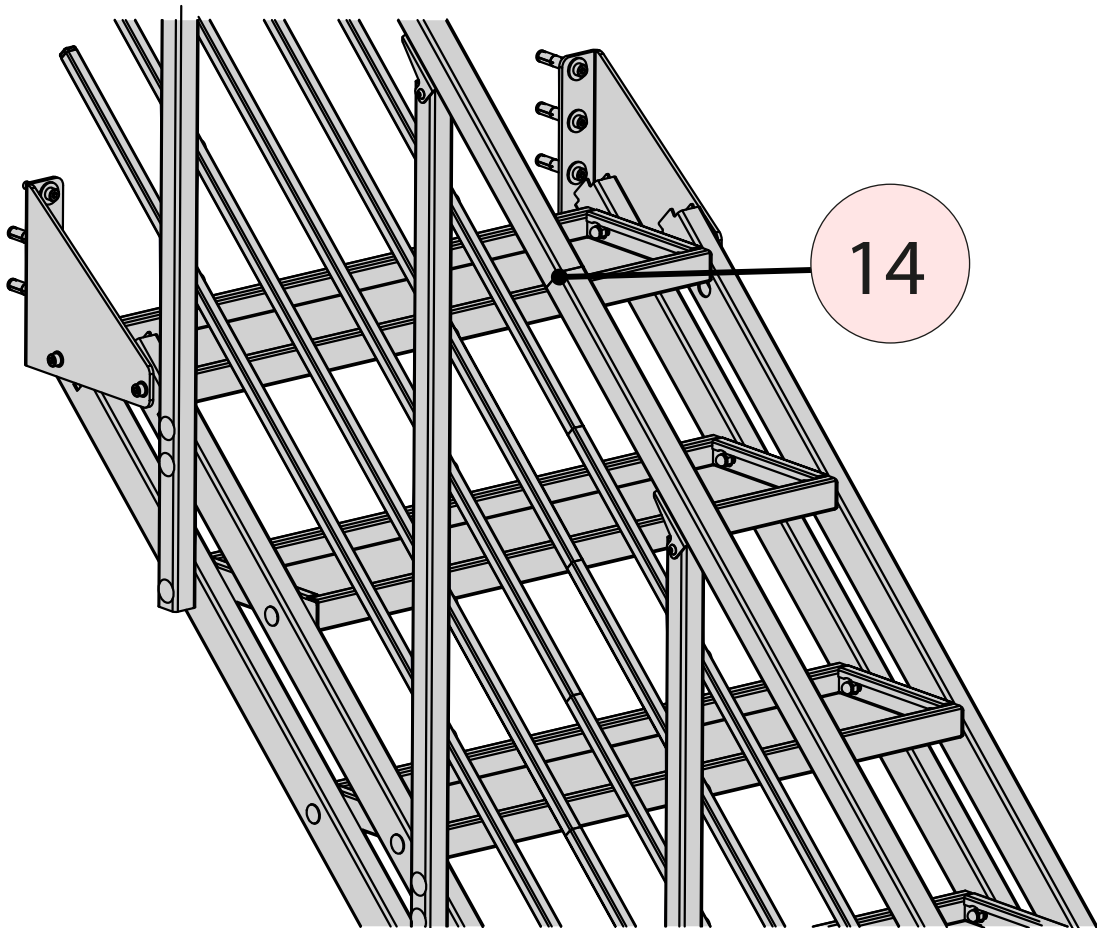
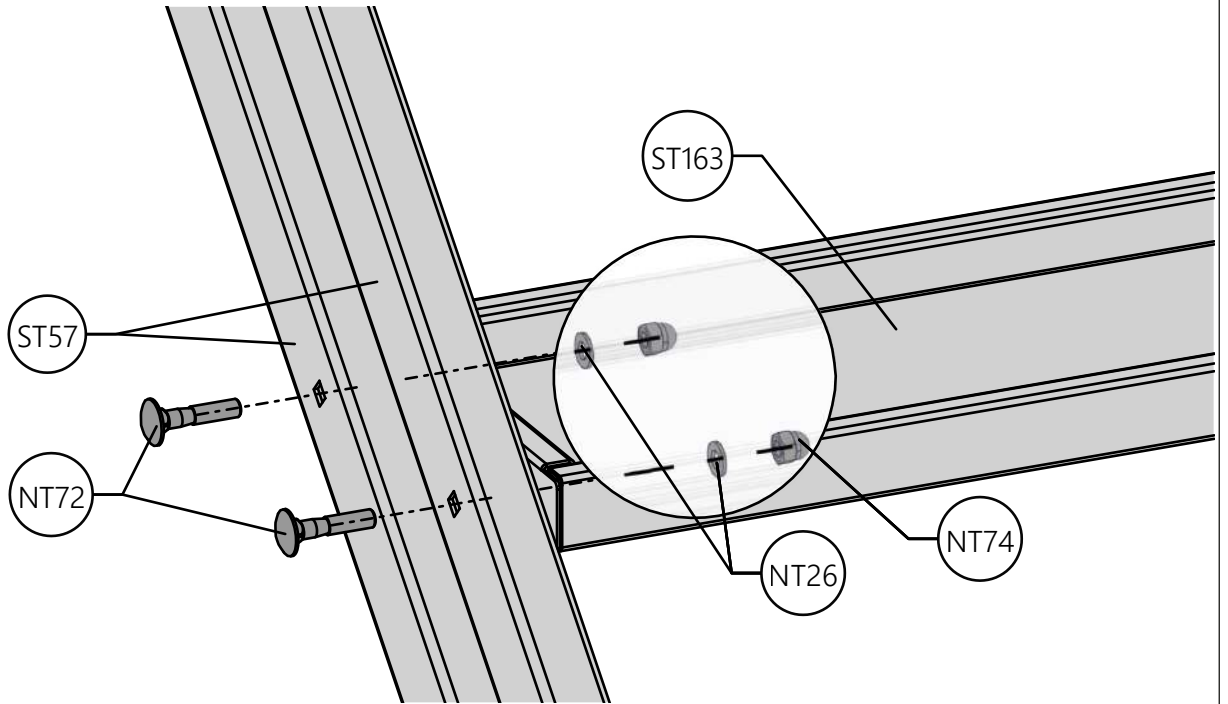
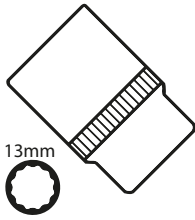
12



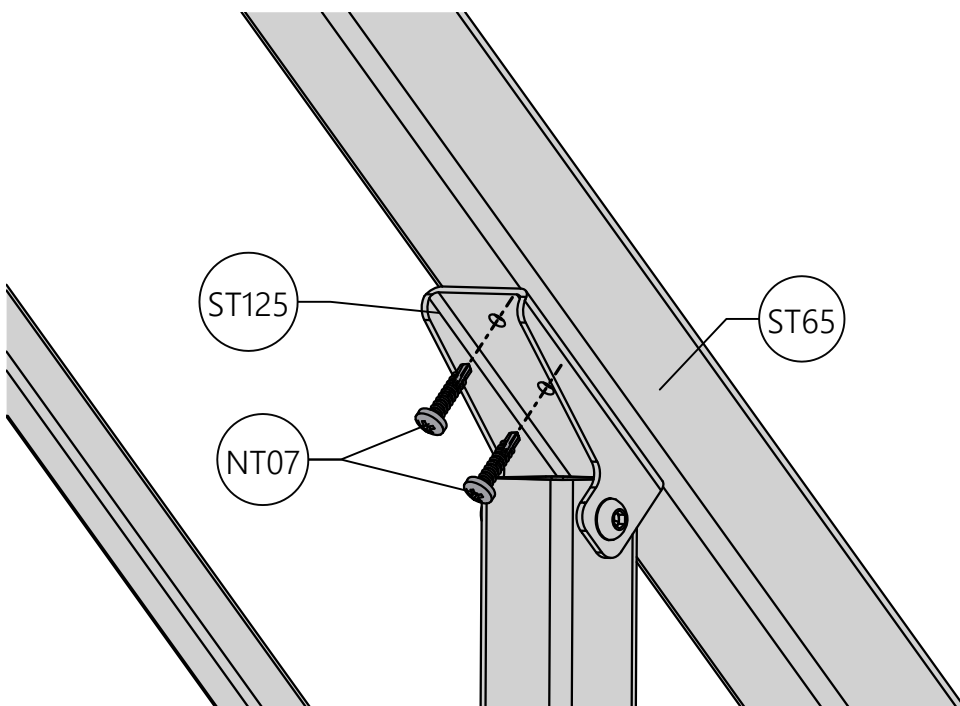
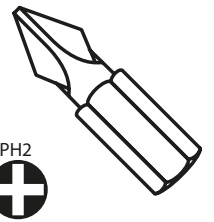
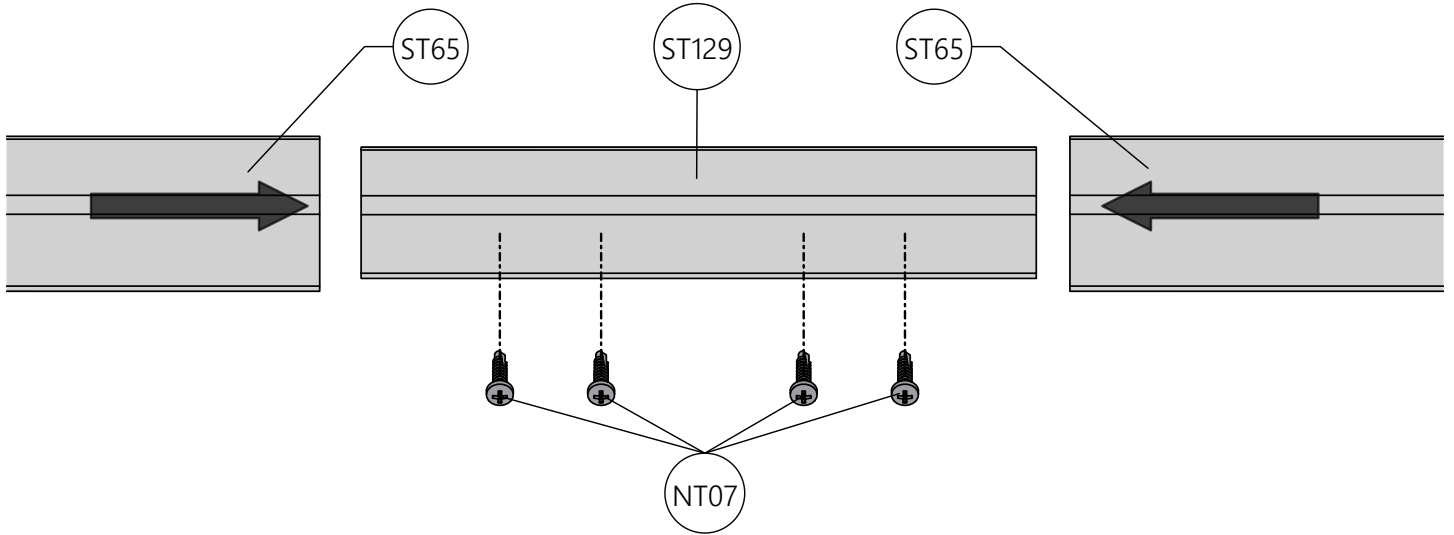
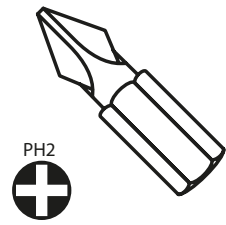
12



13



14



14b

