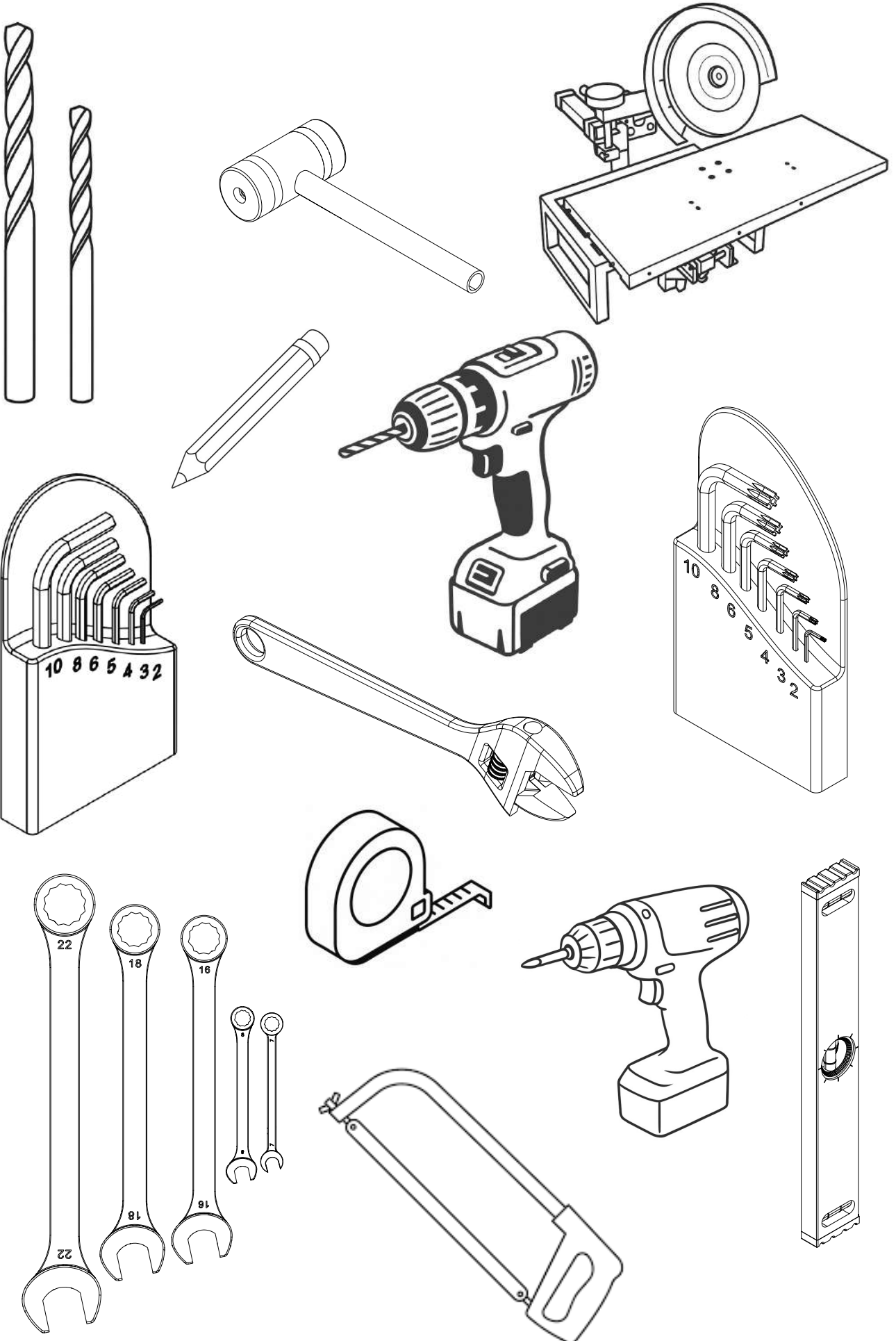
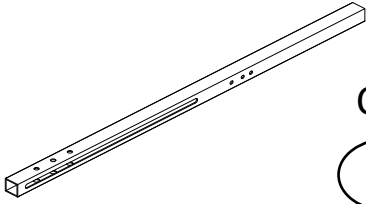
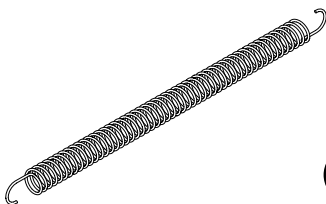
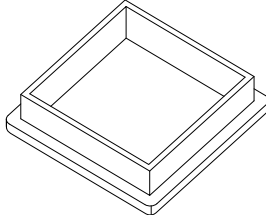
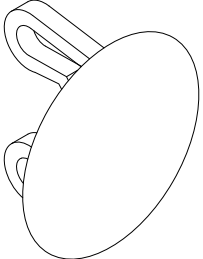
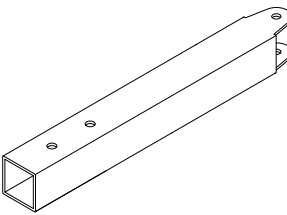
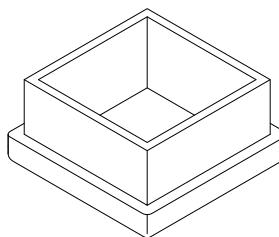
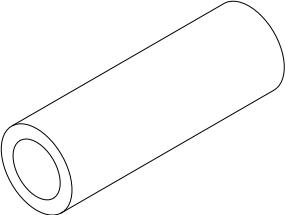
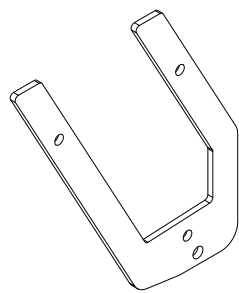
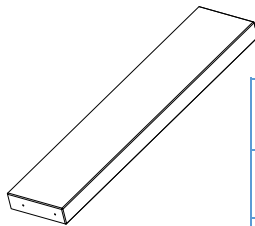

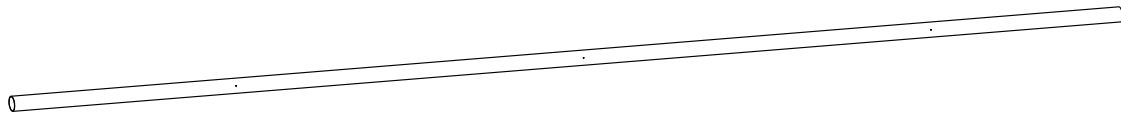




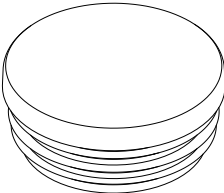
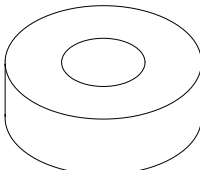
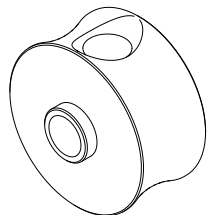
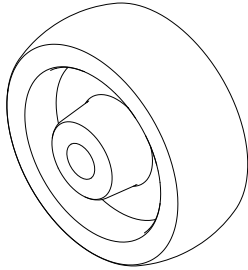
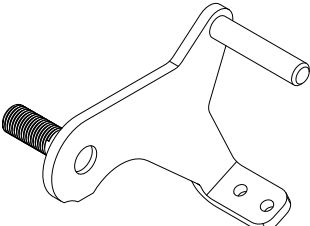
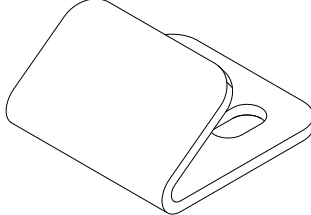
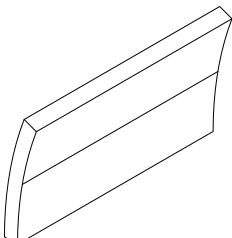
TOOLS:-



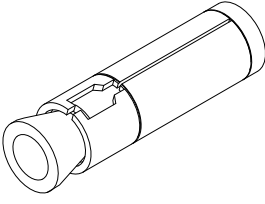
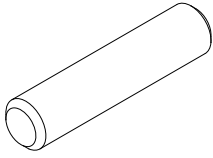
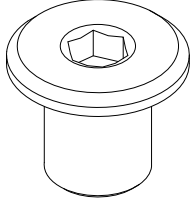
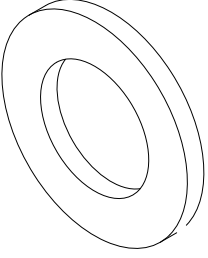
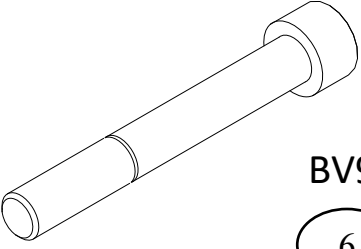
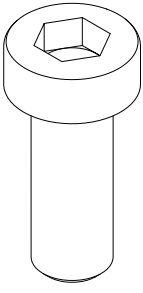
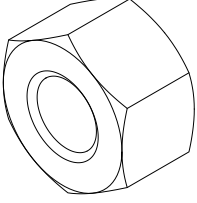
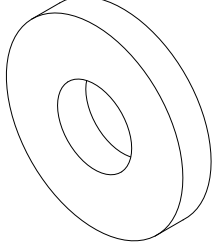
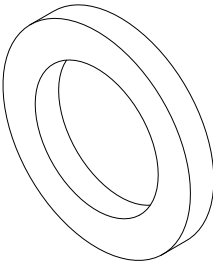
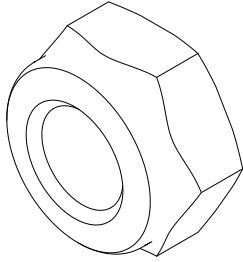
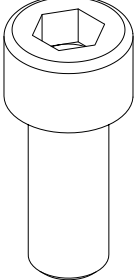
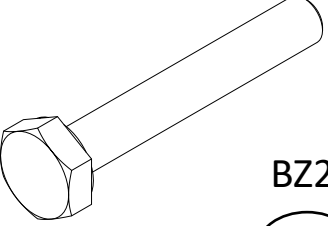
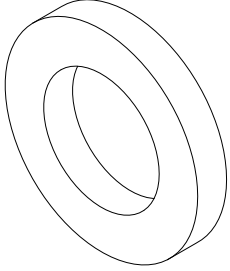
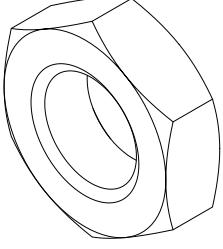
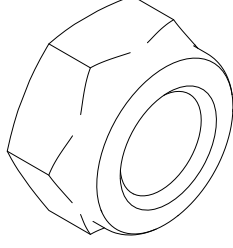
PART LISTS:-

COMPONENTS	CODES	COMPONENTS	CODES	COMPONENTS	CODES						
45mm X 45mm X 1250mm 	CN5 (2)	∅27.5mm X 234mm 	BZ5 (2)	45mm X 45mm 	BV8 (4)						
∅67.5mm X 14mm 	BP4 (18)	30mm X 30mm X 245mm 	CN4 (6)	30mm X 30mm 	BM8 (6)						
∅15mm X 45mm 	BZ6 (2)	325mm X 156mm X 6mm 	N89 (2)	650mm X 140mm X 40mm 	L83 <table border="1" data-bbox="1300 1115 1476 1321"> <tr><td>10</td><td>9</td></tr> <tr><td>11</td><td>10</td></tr> <tr><td>12</td><td>11</td></tr> </table>	10	9	11	10	12	11
10	9										
11	10										
12	11										
156mm X 6mm 											
<table border="1" data-bbox="194 1556 774 1697"> <tr><td>10</td><td>11</td><td>12</td></tr> <tr><td>2329mm</td><td>2590mm</td><td>2845mm</td></tr> </table>					10	11	12	2329mm	2590mm	2845mm	N88 (2)
10	11	12									
2329mm	2590mm	2845mm									
∅40mm X 2500mm 											
					A77 (2)						

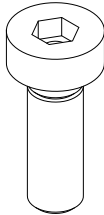
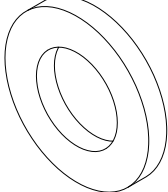
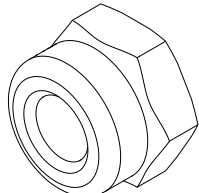
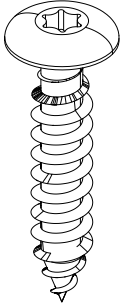
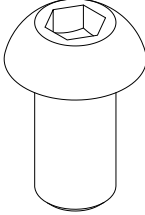
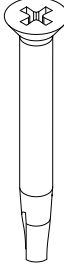
PART LISTS:-

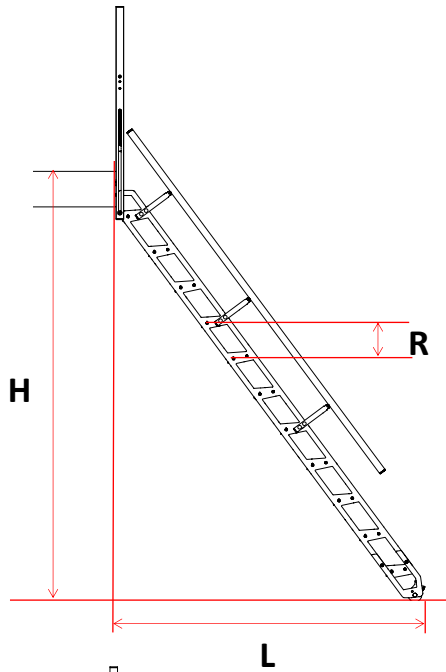
COMPONENTS	CODES	COMPONENTS	CODES	COMPONENTS	CODES
<p>Ø40mm X 17mm</p> 	<p>A43</p> <p>4</p>	<p>Ø20mm X Ø8.5mm X 6.9mm</p> 	<p>BP1</p> <p>12</p>	<p>Ø25mm X 16mm</p> 	<p>BP2</p> <p>6</p>
<p>Ø80mm X 40mm</p> 	<p>D95</p> <p>2</p>	<p>85mm X 80mm X 4mm</p> 	<p>N90</p> <p>1</p>	<p>26.5mm X 13.5mm X 25mm</p> 	<p>D96</p> <p>1</p>
<p>18mm X 36mm X 2mm</p> 	<p>L80</p> <p>1</p>				

FASTENERS:-

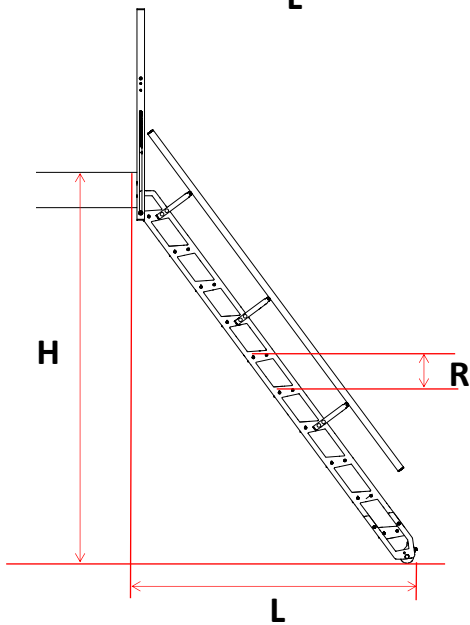
COMPONENTS	CODES	COMPONENTS	CODES	COMPONENTS	CODES
<p>Ø16mm X 60mm</p> 	<p>B85</p> <p>4</p>	<p>M8 X 35mm</p> 	<p>BV7</p> <p>2</p>	<p>M8mm X 14mm</p> 	<p>BC1</p> <p>4</p>
<p>Ø18mm X Ø10.5mm X 1.6mm</p> 	<p>B30</p> <p>12</p>	<p>M10 X 75mm</p> 	<p>BV9</p> <p>6</p>	<p>M6 X 16mm</p> 	<p>BS7</p> <p>6</p>
<p>M6</p> 	<p>BT1</p> <p>6</p>	<p>Ø25mm X Ø10.5mm X 4mm</p> 	<p>BZ0</p> <p>4</p>	<p>Ø16mm X Ø10.5mm X 2mm</p> 	<p>BZ1</p> <p>4</p>
<p>M10</p> 	<p>BZ3</p> <p>7</p>	<p>M10 X 25mm</p> 	<p>BV6</p> <p>4</p>	<p>M12 X 80mm</p> 	<p>BZ2</p> <p>2</p>
<p>Ø20mm X Ø12.5mm X 3mm</p> 	<p>B75</p> <p>8</p>	<p>M12</p> 	<p>B71</p> <p>2</p>	<p>M12</p> 	<p>BZ4</p> <p>2</p>

FASTENERS:-

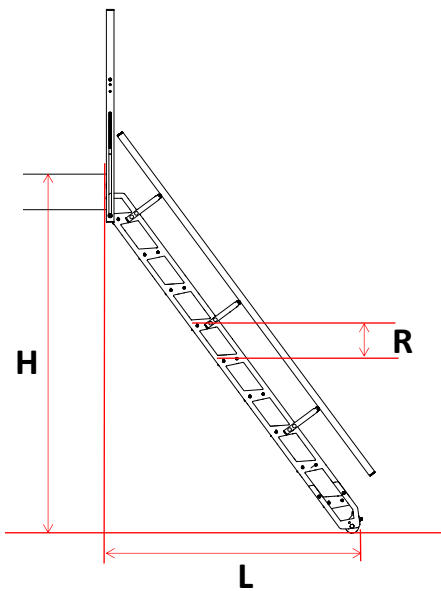
COMPONENTS	CODES	COMPONENTS	CODES	COMPONENTS	CODES						
<p>M4 X 12mm</p> 	<p>C44</p> <p>(2)</p>	<p>Ø8mm X Ø4.5mm X 1mm</p> 	<p>BS8</p> <p>(6)</p>	<p>M4</p> 	<p>BZ8</p> <p>(2)</p>						
<p>Ø8mm X 40mm</p> 	<p>L28</p> <table border="1" data-bbox="367 683 542 896"> <tr> <td>10</td> <td>36</td> </tr> <tr> <td>11</td> <td>40</td> </tr> <tr> <td>12</td> <td>44</td> </tr> </table>	10	36	11	40	12	44	<p>M6mm X 12mm</p> 	<p>BP7</p> <p>(12)</p>	<p>M4 X 30MM</p> 	<p>BP3</p> <p>(6)</p>
10	36										
11	40										
12	44										



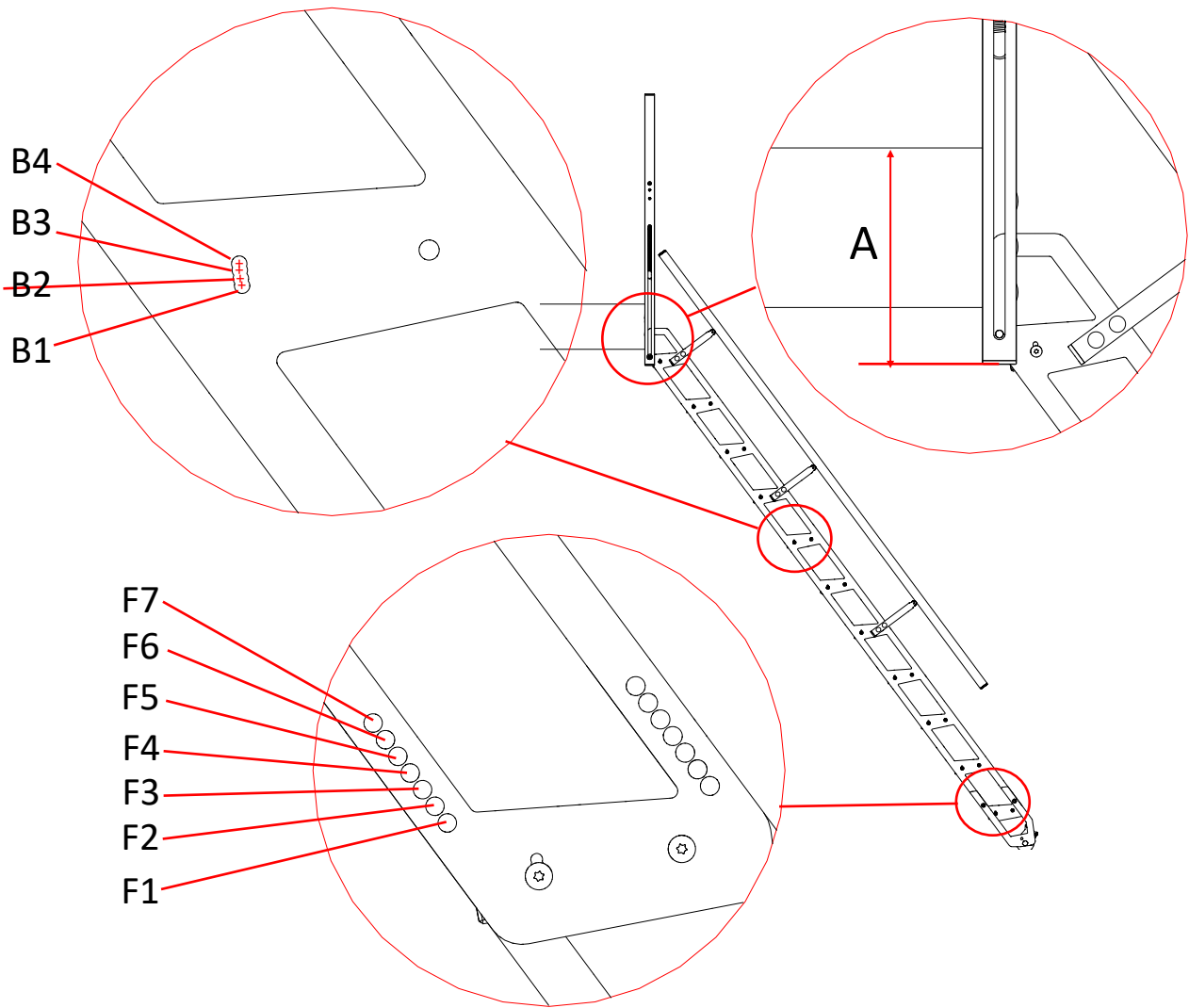
12		
H	R	L
cm	cm	cm
277 to 282	23.5	138
271 to 276	23	147
265 to 270	22.5	155
259 to 264	22	165



11		
H	R	L
cm	cm	cm
253 to 258	23.5	126
247 to 252	23	134
241 to 246	22.5	142
236 to 240	22	150



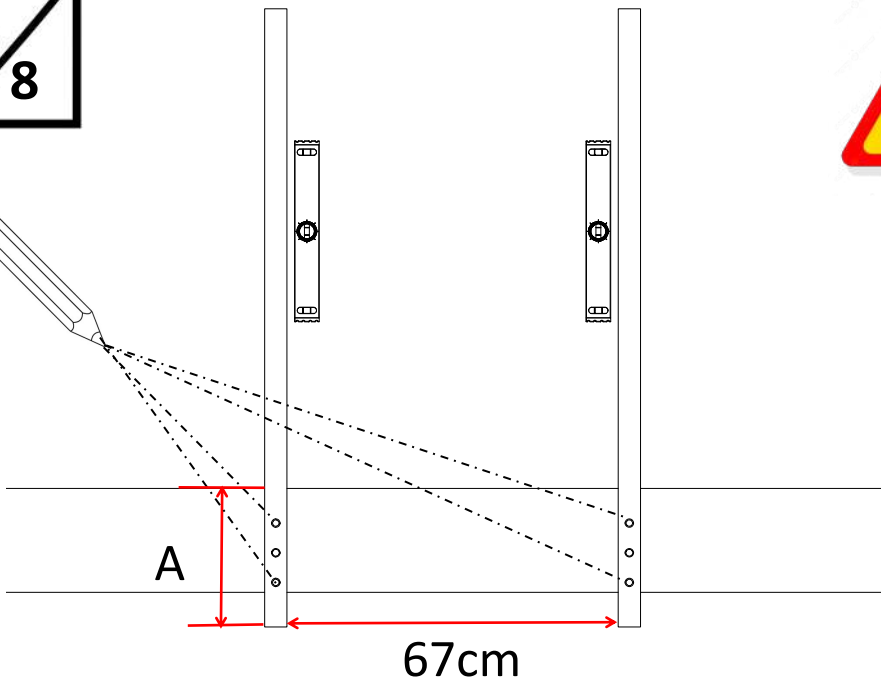
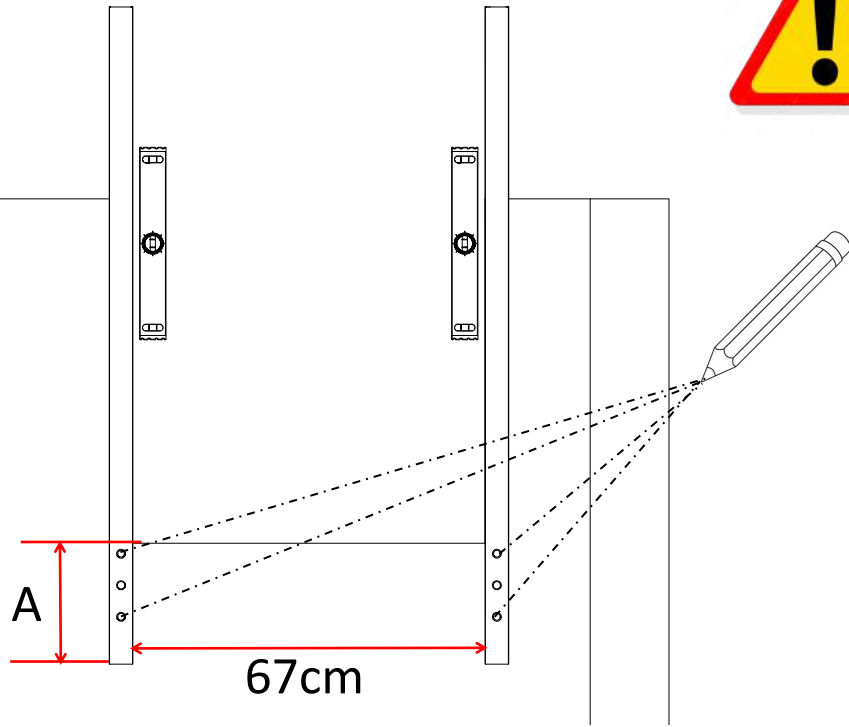
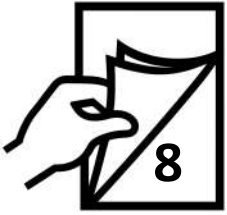
10		
H	R	L
cm	cm	cm
230 to 235	23.5	114
224 to 229	23	121
218 to 223	22.5	128
214 to 217	22	136

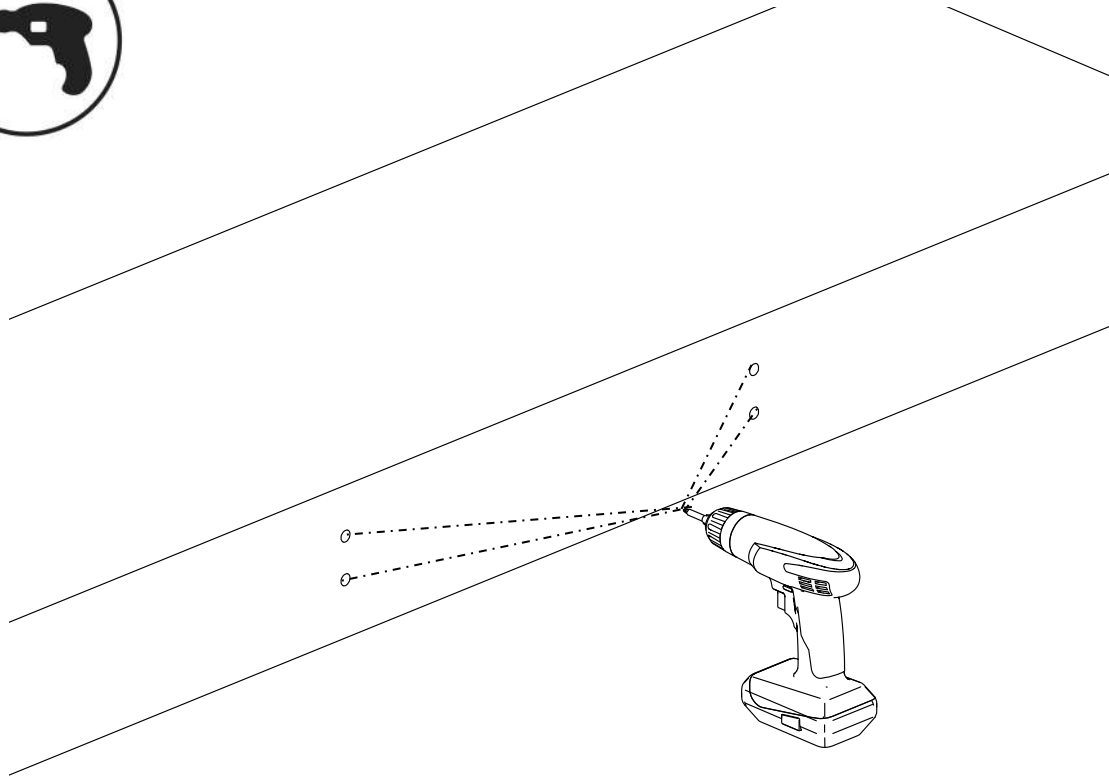
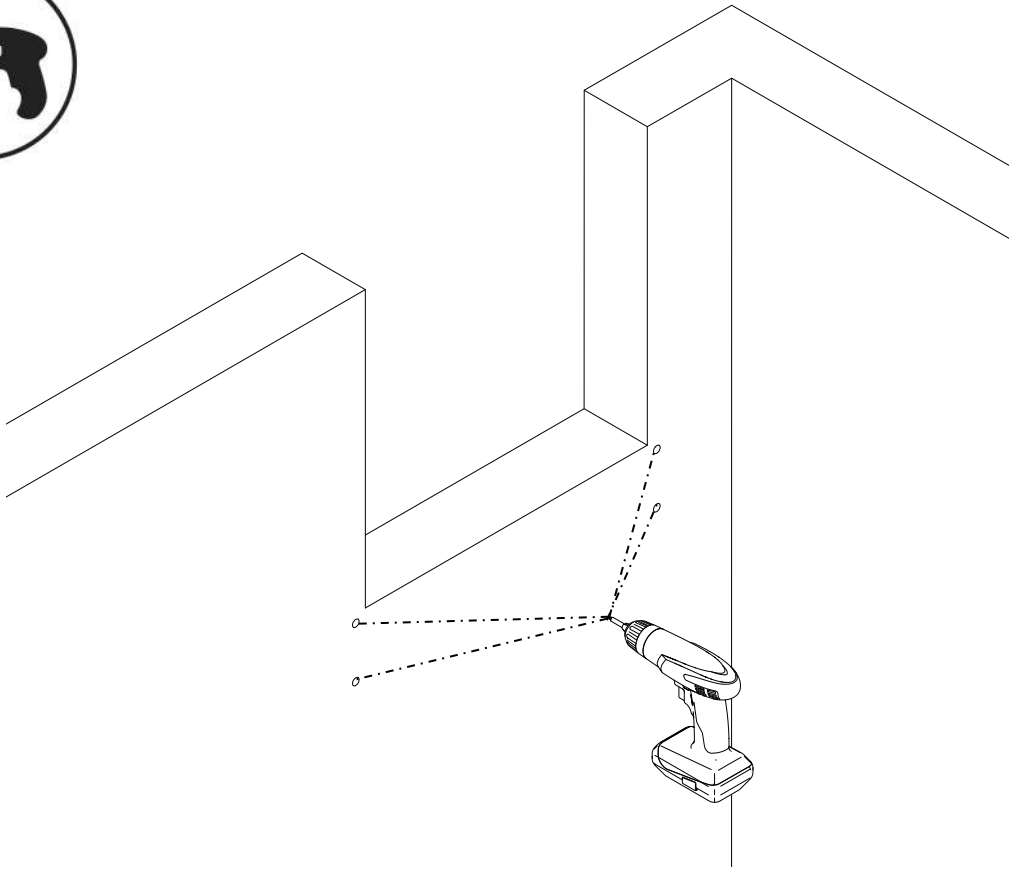


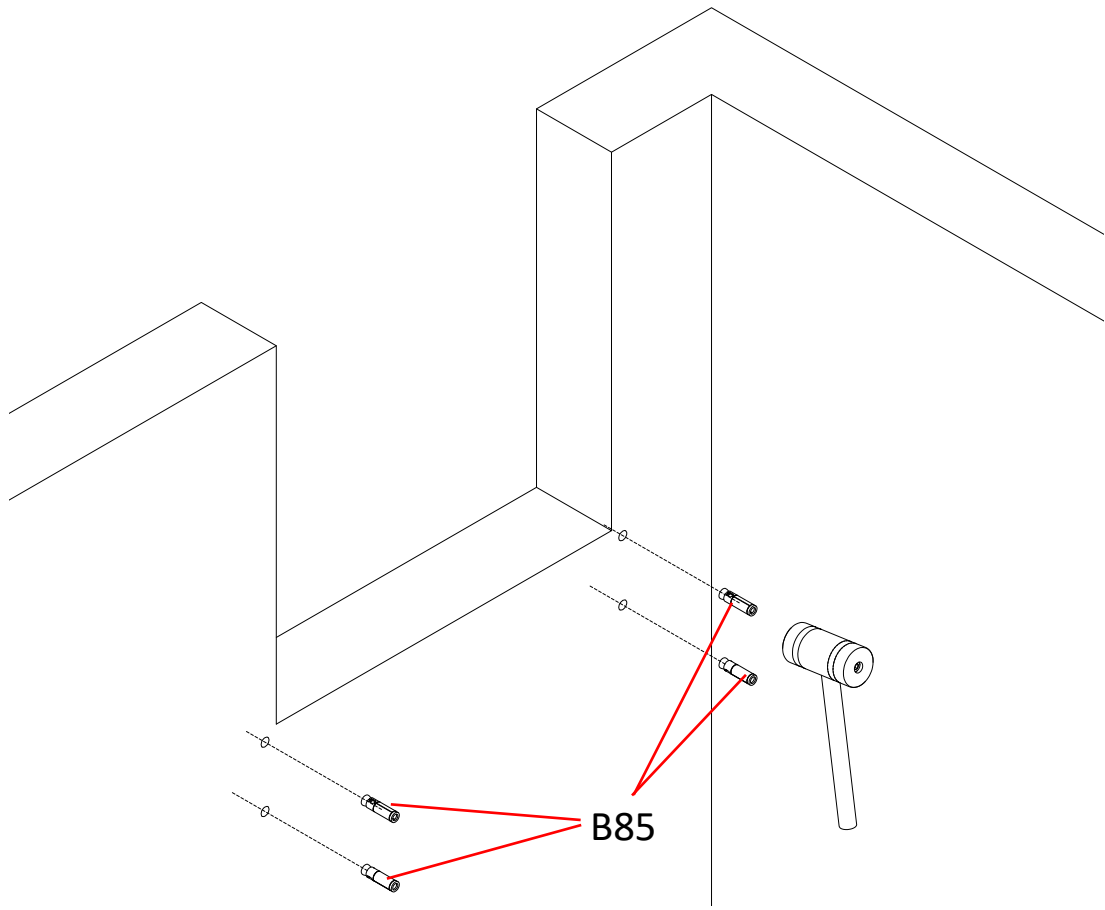
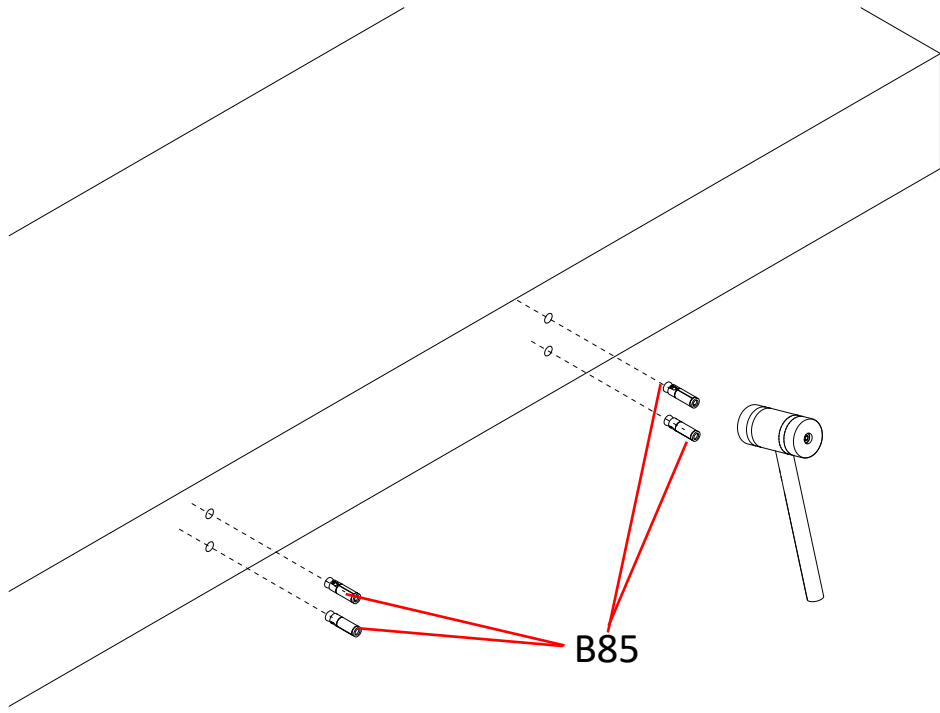
10			
H	A	B	F
cm	cm		
235	26	B1	F1
234	26	B1	F2
233	25	B1	F2
232	25	B1	F3
231	24	B1	F3
230	23	B1	F3
229	25.5	B2	F2
228	25.5	B2	F3
227	24.5	B2	F3
226	24.5	B2	F4
225	23.5	B2	F4
224	23.5	B2	F5
223	25	B3	F3
222	25	B3	F4
221	24	B3	F4
220	24	B3	F5
219	23	B3	F5
218	22	B3	F5
217	23.5	B3	F3
216	23.5	B4	F4
215	22.5	B4	F4
214	22.5	B4	F5

11			
H	A	B	F
cm	cm		
258	25.5	B1	F1
257	25.5	B1	F2
256	24.5	B1	F3
255	24.5	B1	F3
254	23.5	B1	F3
253	22.5	B1	F3
252	25	B2	F2
251	25	B2	F3
250	24	B2	F3
249	24	B2	F4
248	23	B2	F4
247	23	B2	F5
246	25	B3	F3
245	25	B3	F4
244	24	B3	F4
243	24	B3	F5
242	23	B3	F5
241	22	B3	F5
240	24.5	B4	F3
239	24.5	B4	F4
238	23.5	B4	F4
237	23.5	B4	F5
236	22.5	B4	F5

12			
H	A	B	F
cm	cm		
282	26	B1	F1
281	26	B1	F2
280	25	B1	F3
279	25	B1	F3
278	24	B1	F3
277	23	B1	F3
276	25.5	B2	F1
275	25.5	B2	F2
274	24.5	B2	F2
273	24.5	B2	F3
272	23.5	B2	F3
271	23	B2	F4
270	25.5	B3	F2
269	25.5	B3	F3
268	24.5	B3	F3
267	24.5	B3	F4
266	23.5	B3	F4
265	23	B3	F4
264	25.5	B4	F2
263	25.5	B4	F3
262	24.5	B4	F4
261	24.5	B4	F4
260	23.5	B4	F4
259	23.5	B4	F5

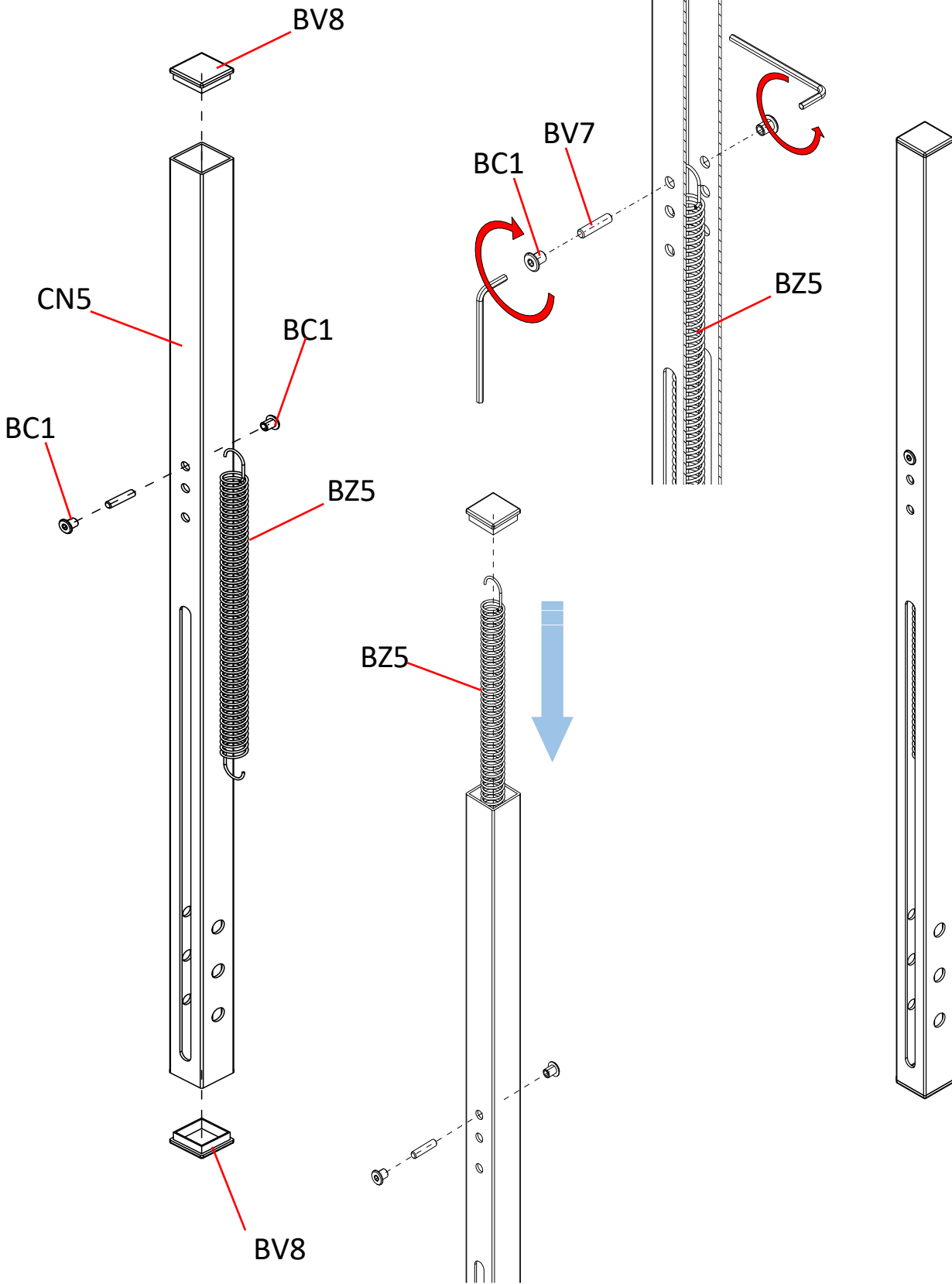






PRE -ASSEMBLY

QTY:- 02



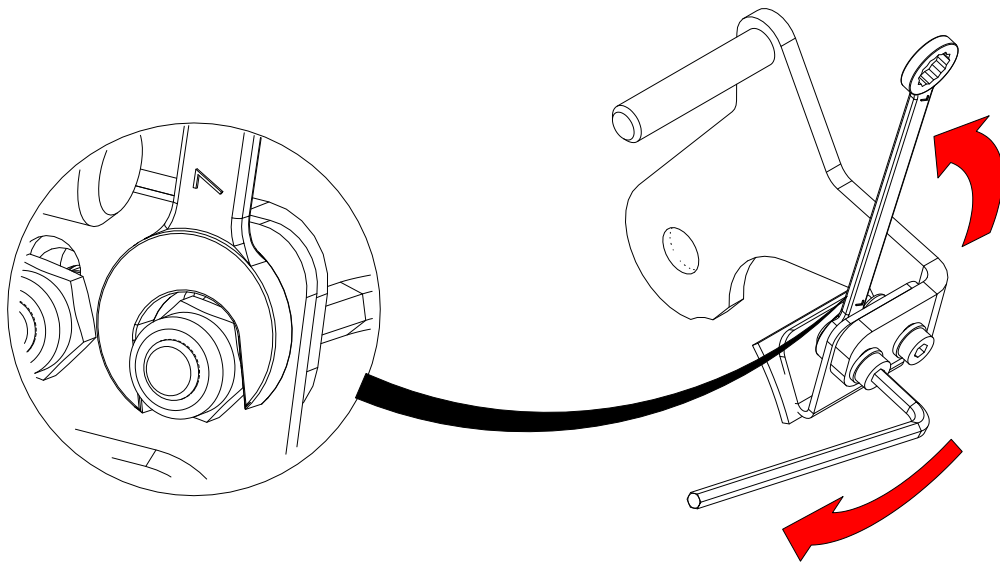
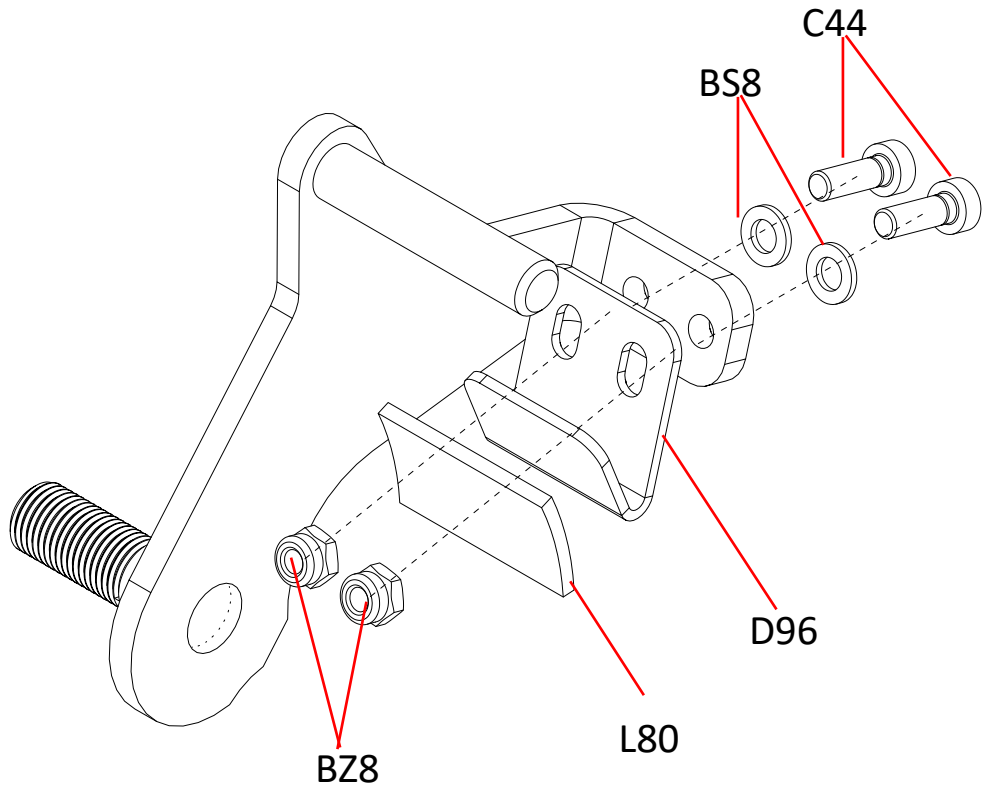
PRE -ASSEMBLY

Qty:- 01



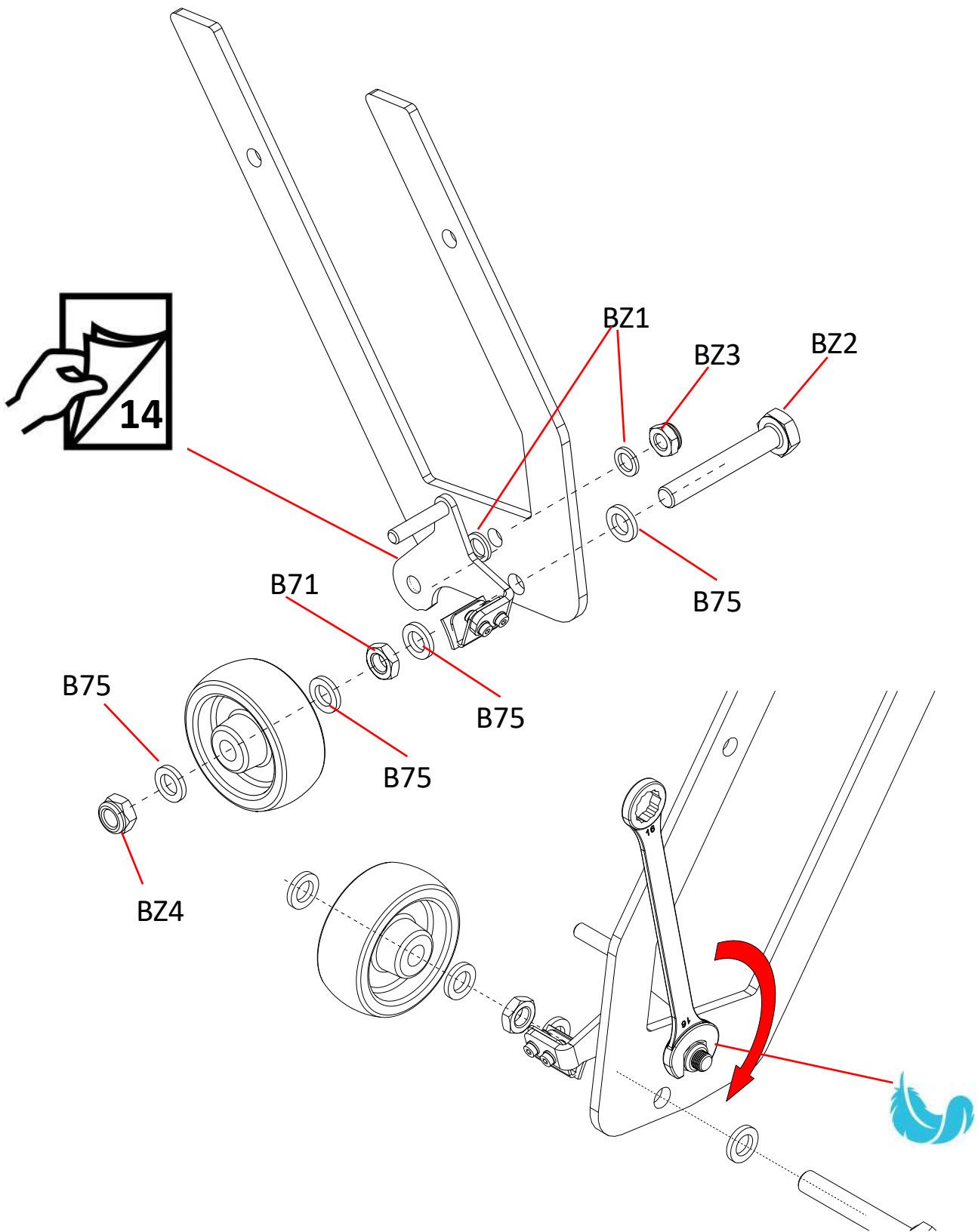
PRE -ASSEMBLY

Qty:- 01



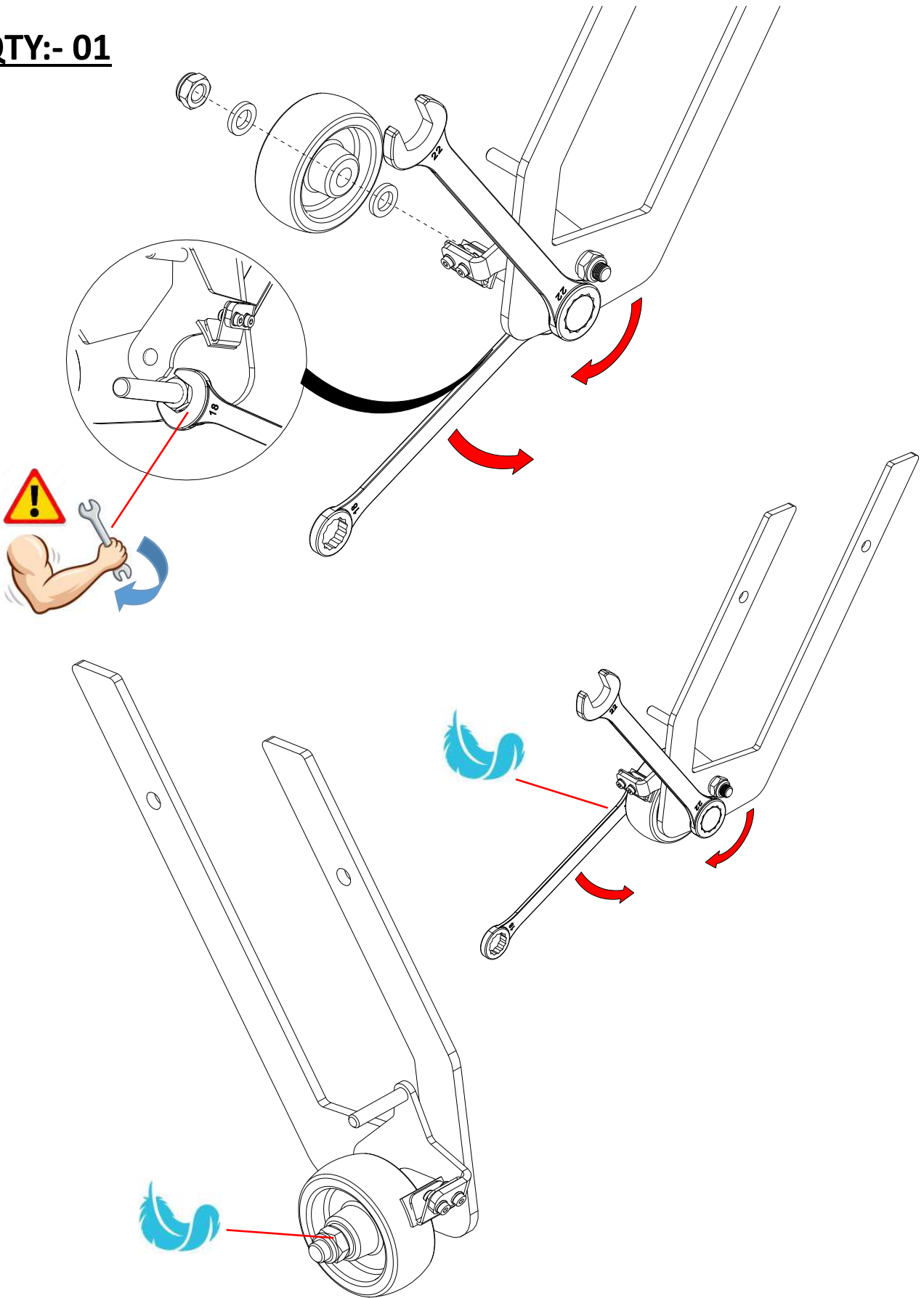
PRE -ASSEMBLY

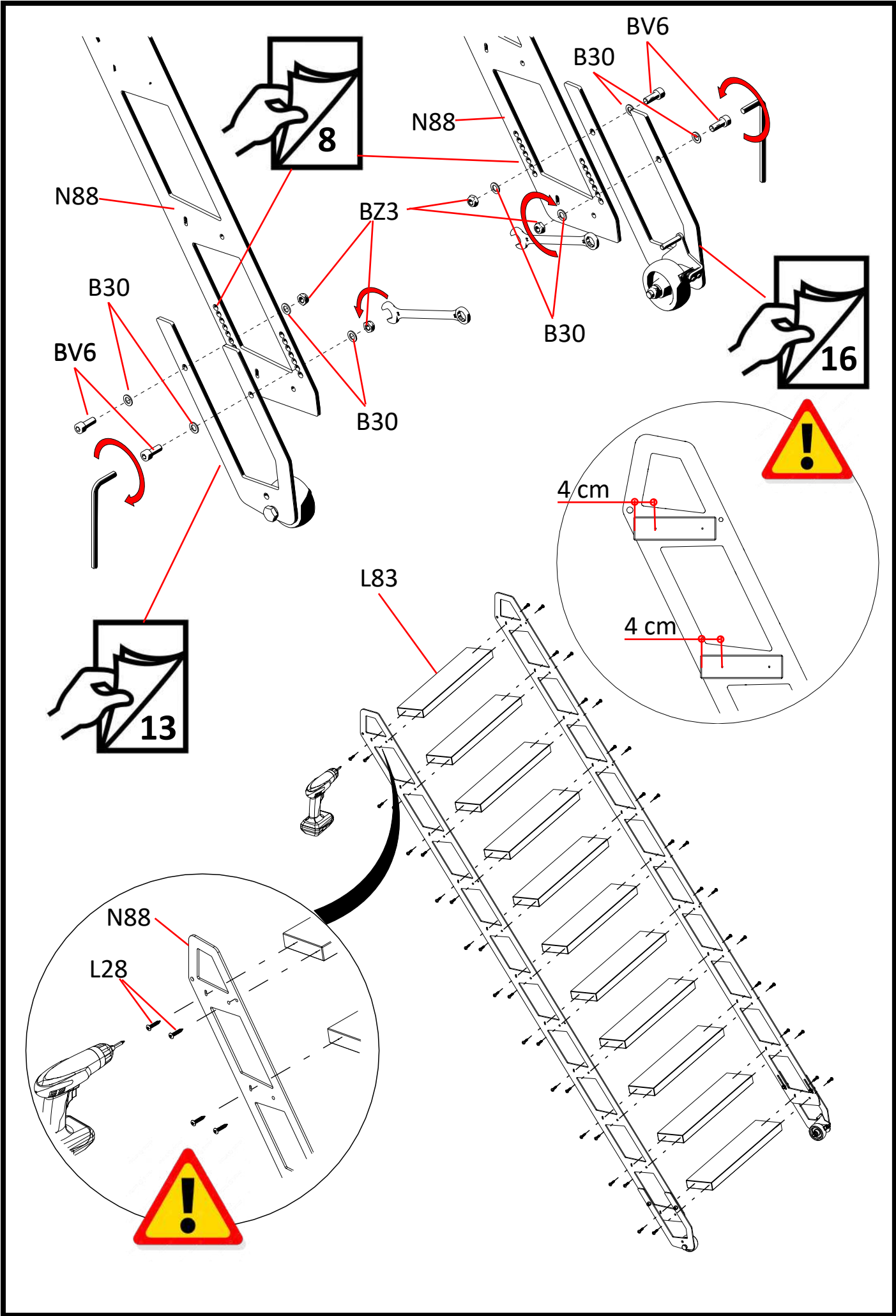
QTY:- 01

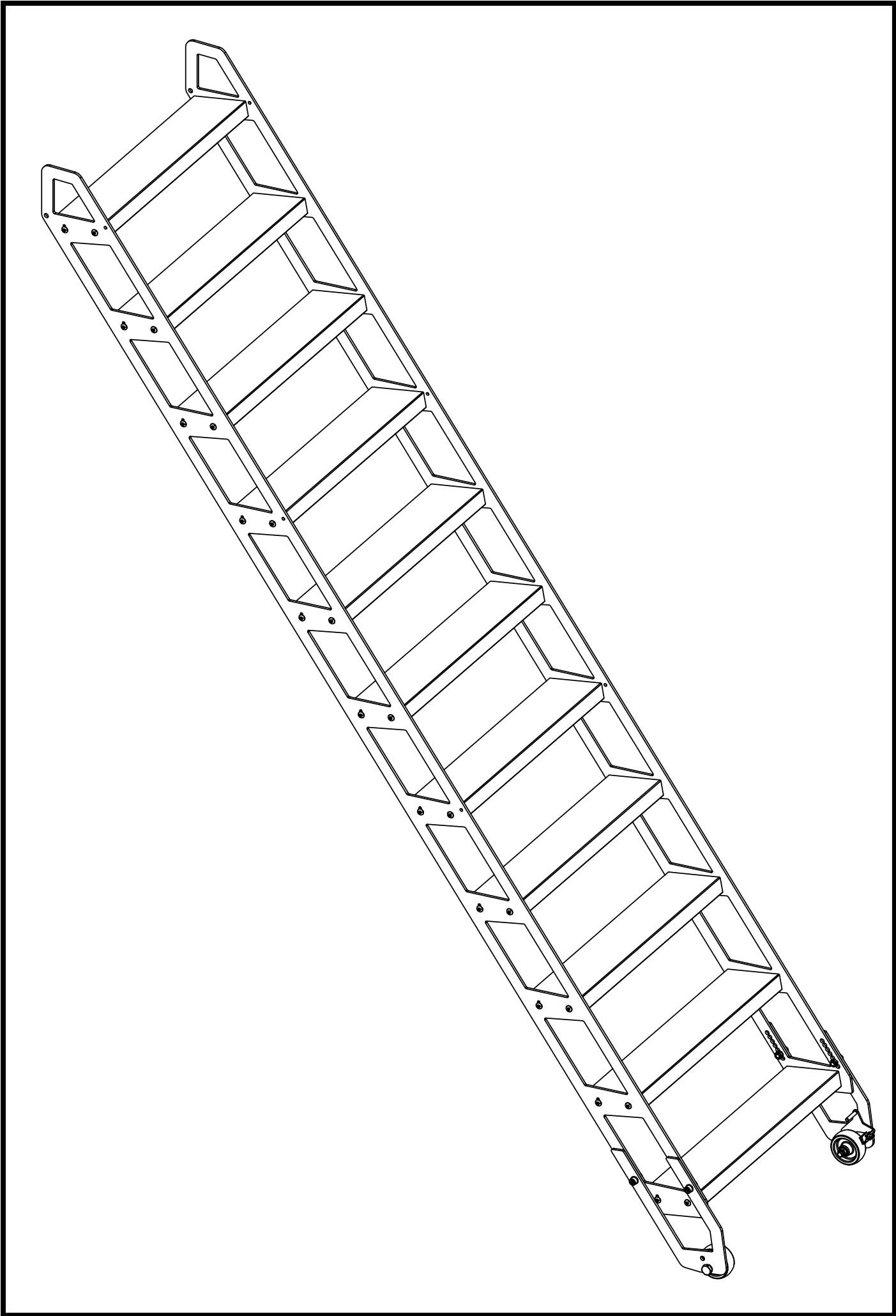


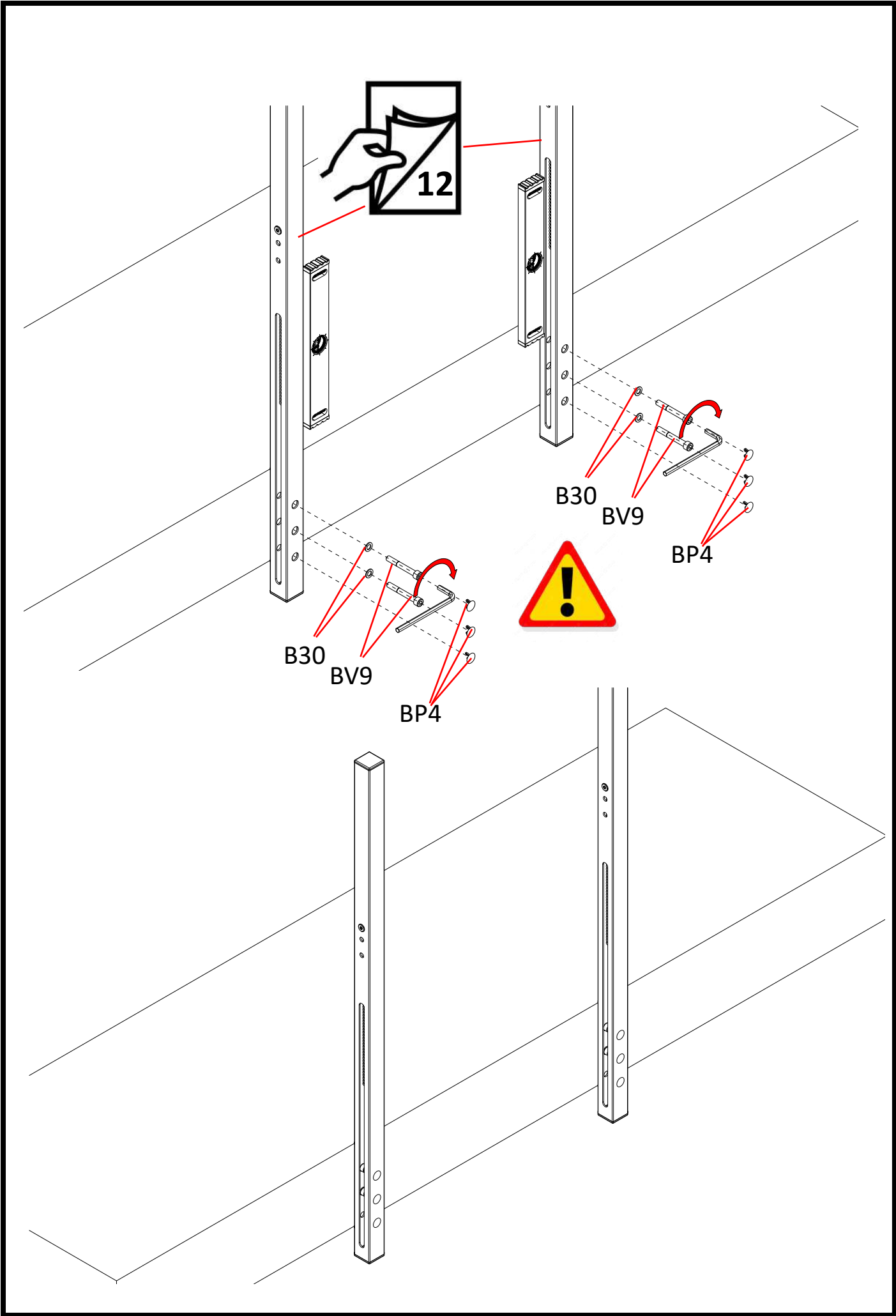
PRE -ASSEMBLY

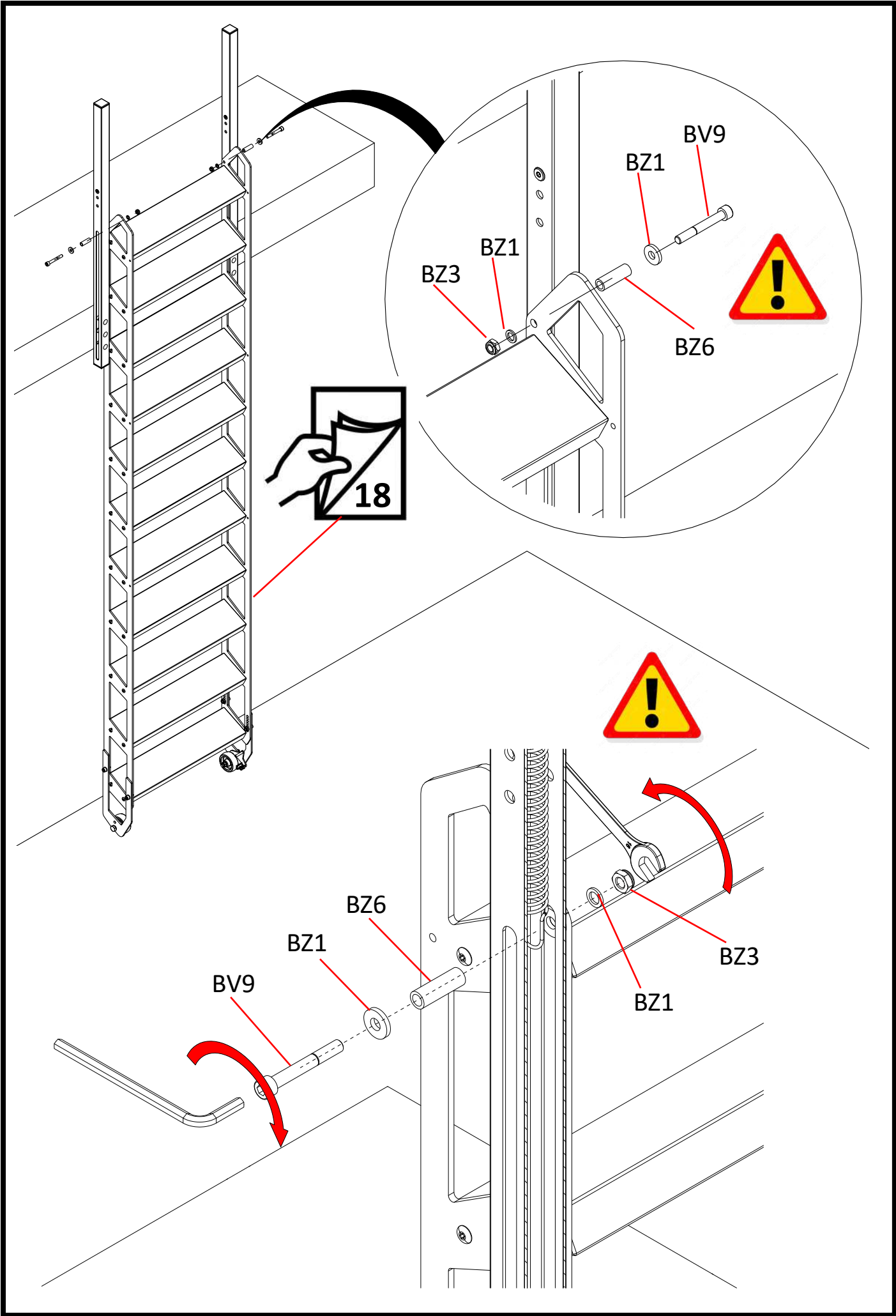
QTY:- 01

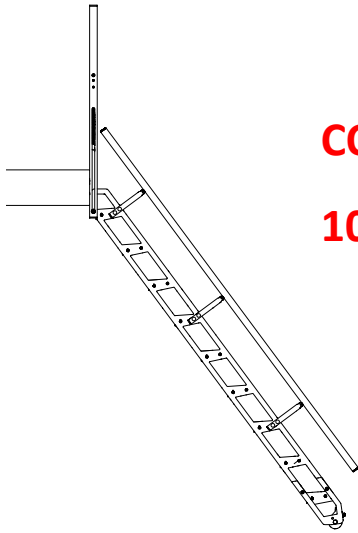






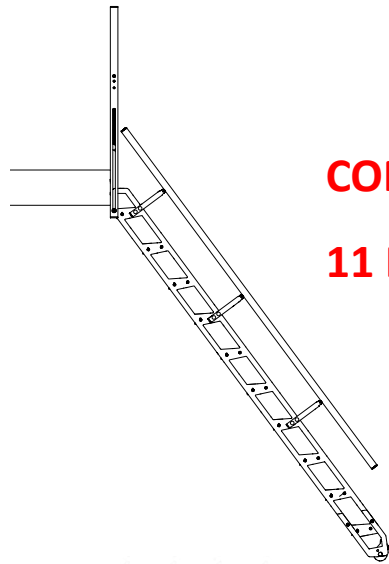






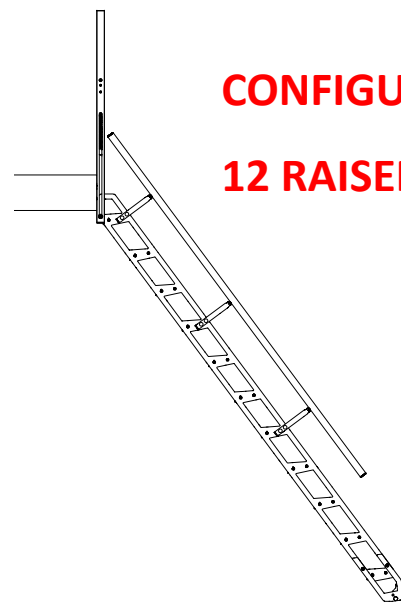
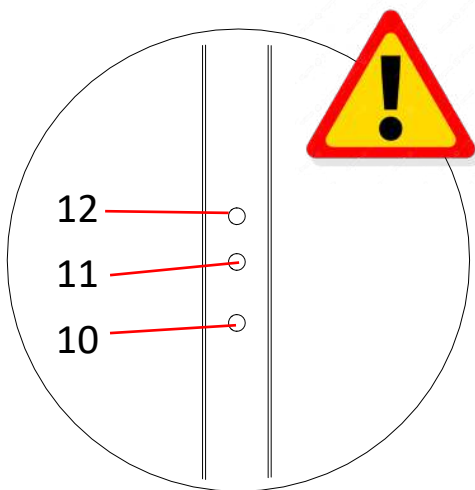
CONFIGURATION 1

10 RAISERS



CONFIGURATION 2

11 RAISERS



CONFIGURATION 3

12 RAISERS

