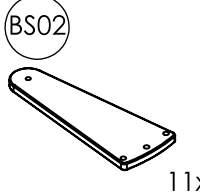
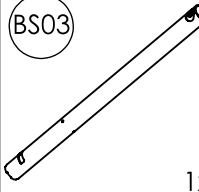
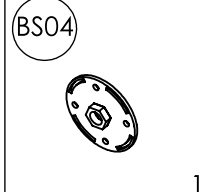
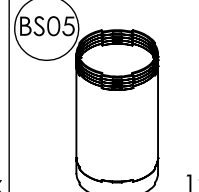
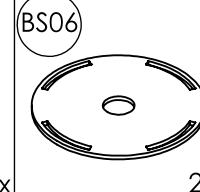
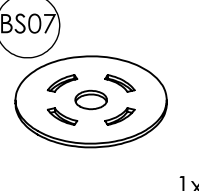
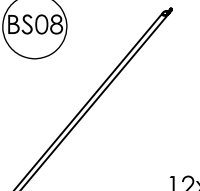
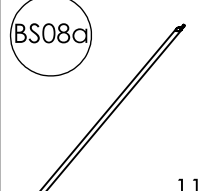
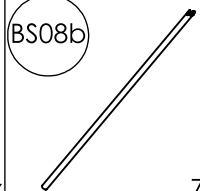
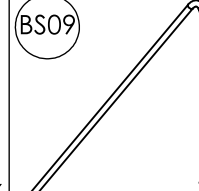
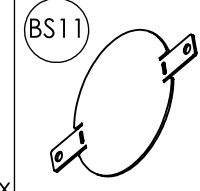
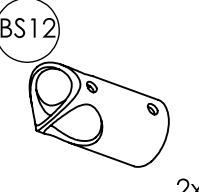
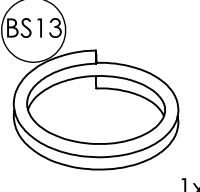
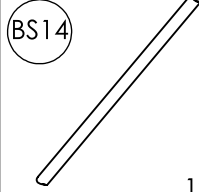
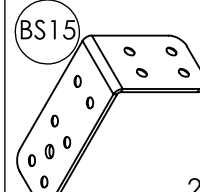
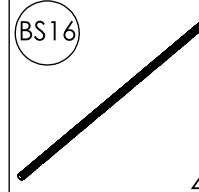
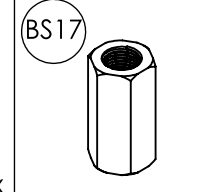
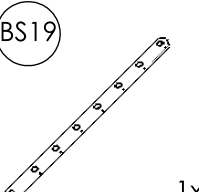

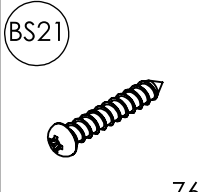
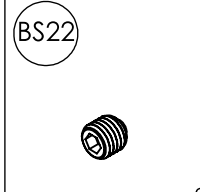
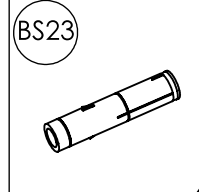
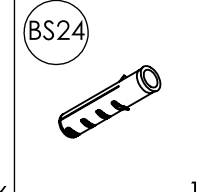
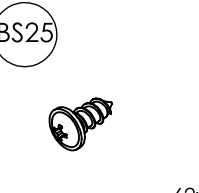
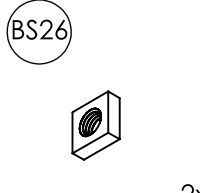
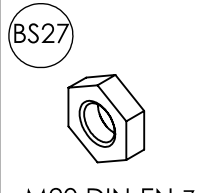
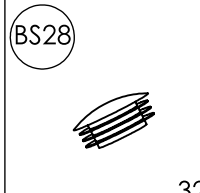
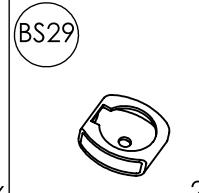
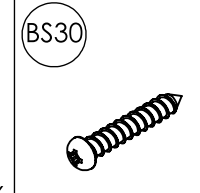
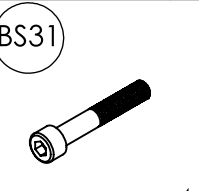
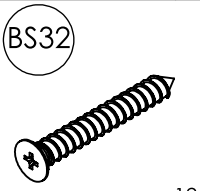
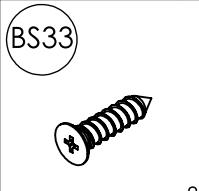
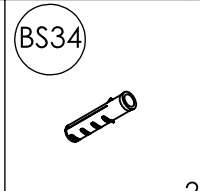
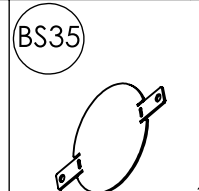
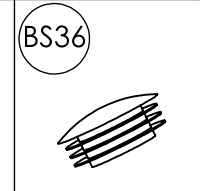
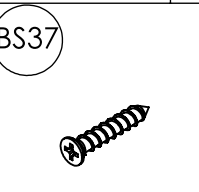
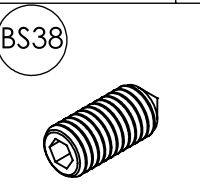
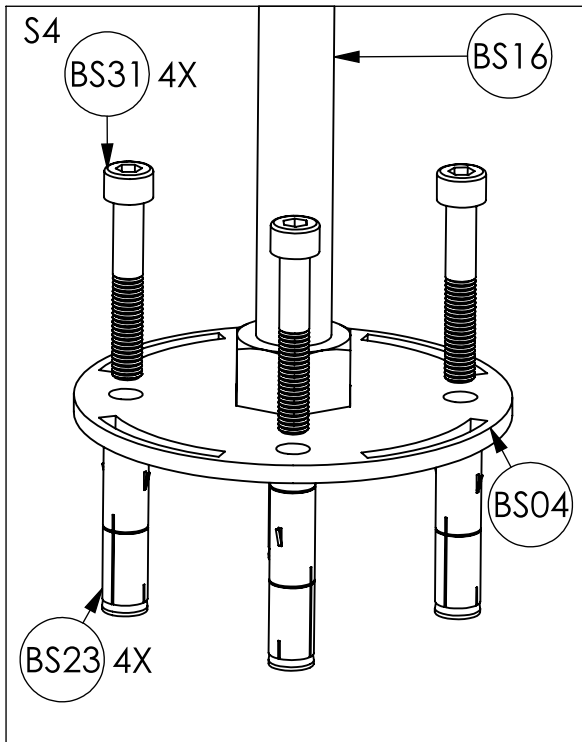
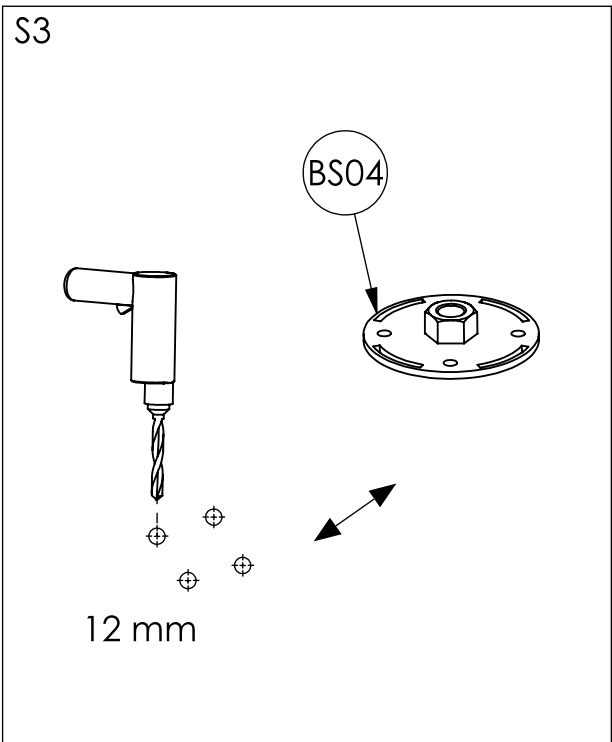
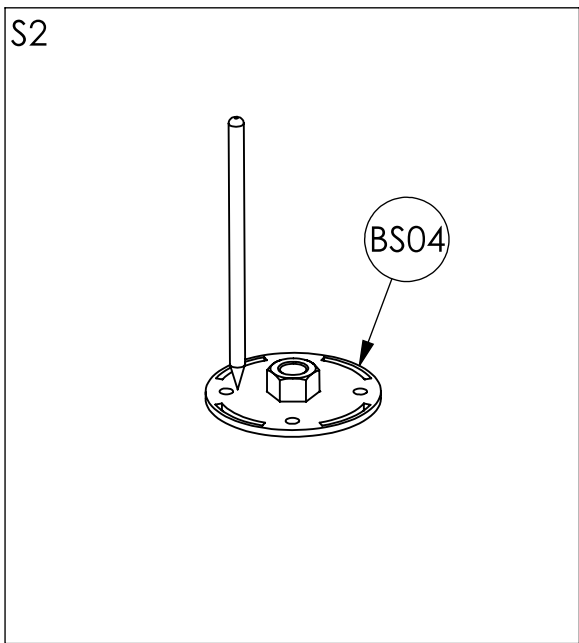
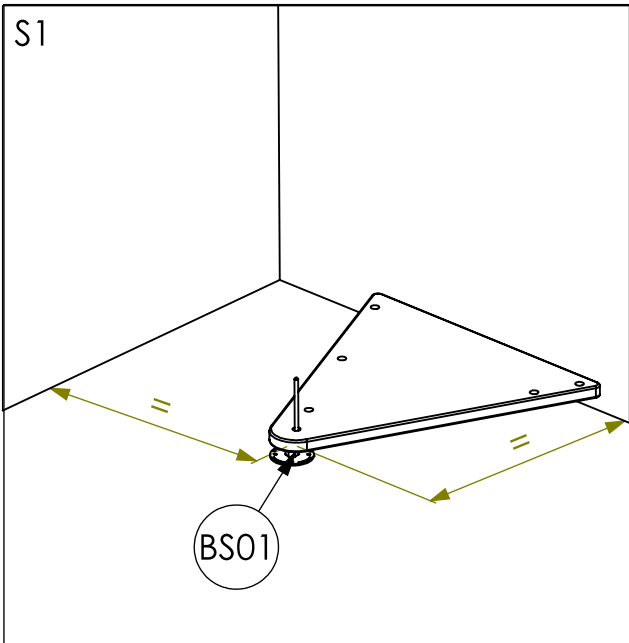
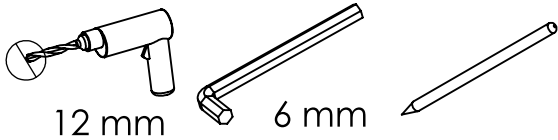
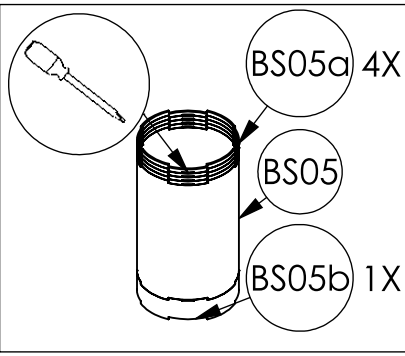
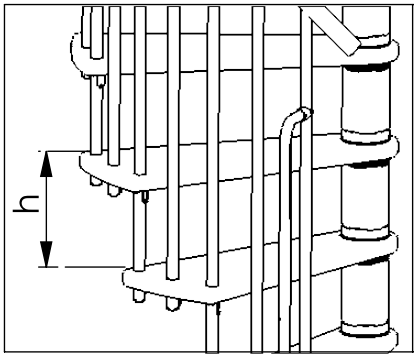
 <p>BS01 1x</p>	 <p>BS02 11x</p>	 <p>BS03 1x Ø 60 x 1000x4 mm</p>	 <p>BS04 1x</p>	 <p>BS05 12x Ø 108x200 mm</p>	 <p>BS06 24x Ø 115 x 3 mm</p>
 <p>BS07 1x Ø 100 x 3 mm</p>	 <p>BS08 12x Ø 22x2x1275 mm</p>	 <p>BS08a 11x Ø 22x1x1175 mm</p>	 <p>BS08b 7x Ø 22x2x1030 mm</p>	 <p>BS09 2x Ø 22x1x913+170mm</p>	 <p>BS11 1x Ø 60 mm</p>
 <p>BS12 2x Ø 28x2x50 mm</p>	 <p>BS13 1x Ø 40x3x6000mm</p>	 <p>BS14 1x Ø 40x2x975 mm</p>	 <p>BS15 2x</p>	 <p>BS16 4x M20 x 1000 mm</p>	 <p>BS17 4x M20 DIN 6334</p>
 <p>BS19 1x</p>	 <p>BS20 38x</p>	 <p>BS21 76x Ø 5 x 30 mm</p>	 <p>BS22 2x M5 x 6 mm</p>	 <p>BS23 4x Ø 12 mm</p>	 <p>BS24 12x Ø 8 mm</p>
 <p>BS25 62x Ø 4 x 20 mm</p>	 <p>BS26 2x M5 DIN 562</p>	 <p>BS27 7x M20 DIN-EN 24035</p>	 <p>BS28 32x Ø 22 mm</p>	 <p>BS29 2x</p>	 <p>BS30 2x Ø 4 x 50 mm</p>
 <p>BS31 4x M8x50 mm</p>	 <p>BS32 12x Ø 6x50mm</p>	 <p>BS33 8x Ø 6x30mm</p>	 <p>BS34 2x Ø 6 mm</p>	 <p>BS35 1x Ø 40 mm</p>	 <p>BS36 2x Ø 40 mm</p>
 <p>BS37 48x Ø 4x25mm</p>	 <p>BS38 3x M8x20mm</p>				

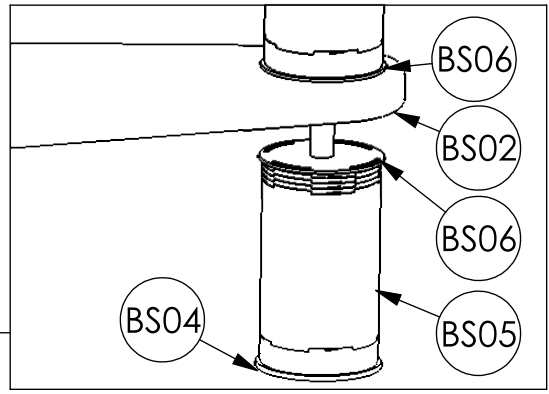
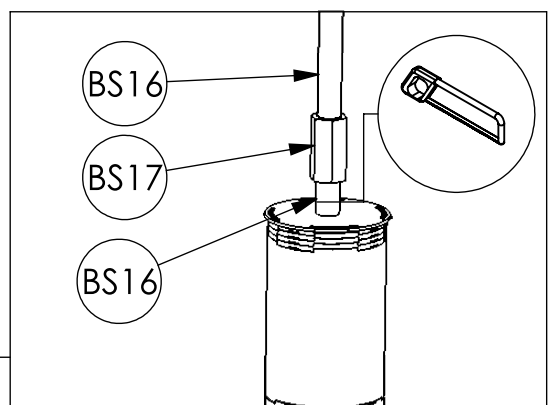
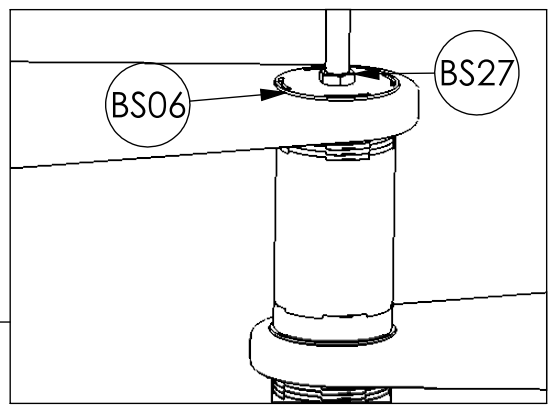
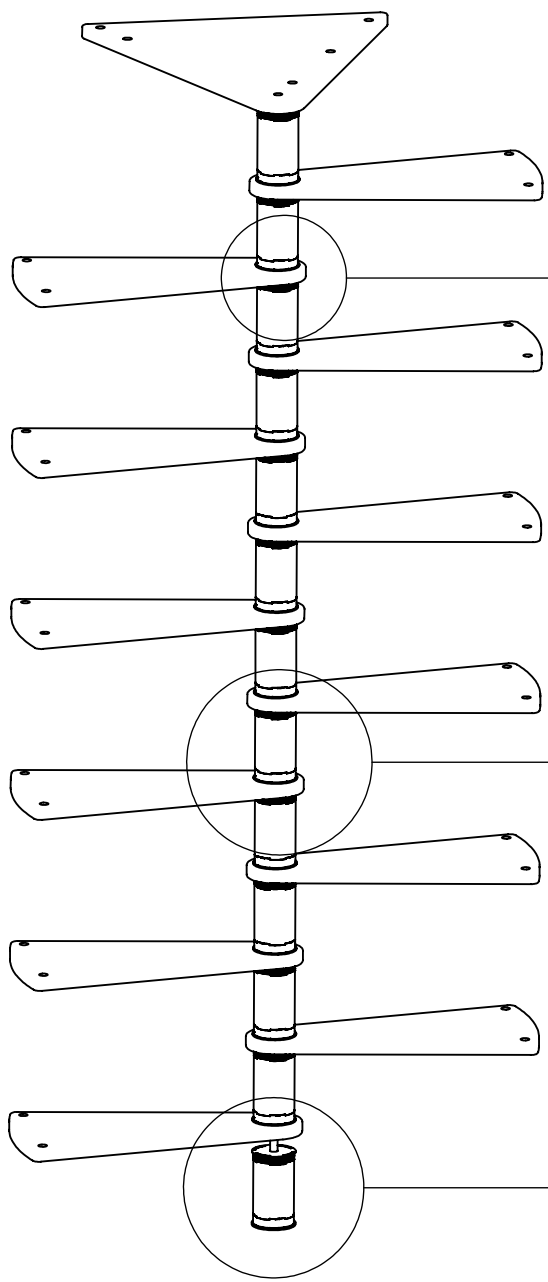


4

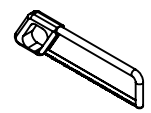
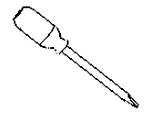
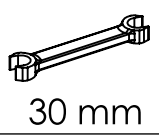


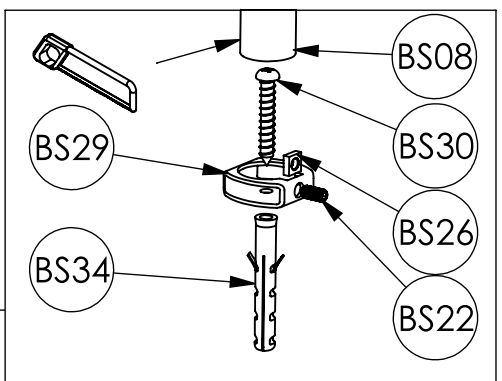
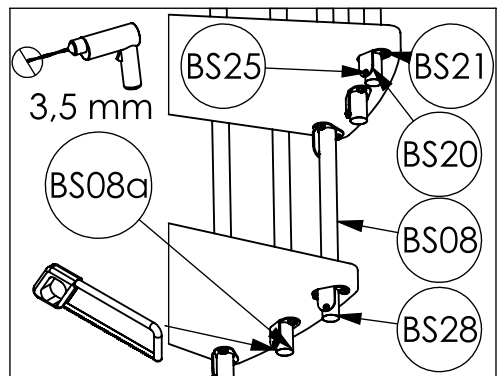
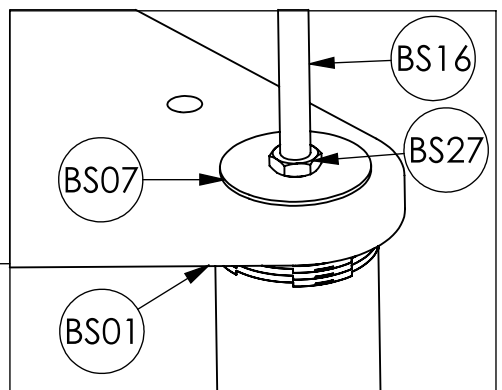
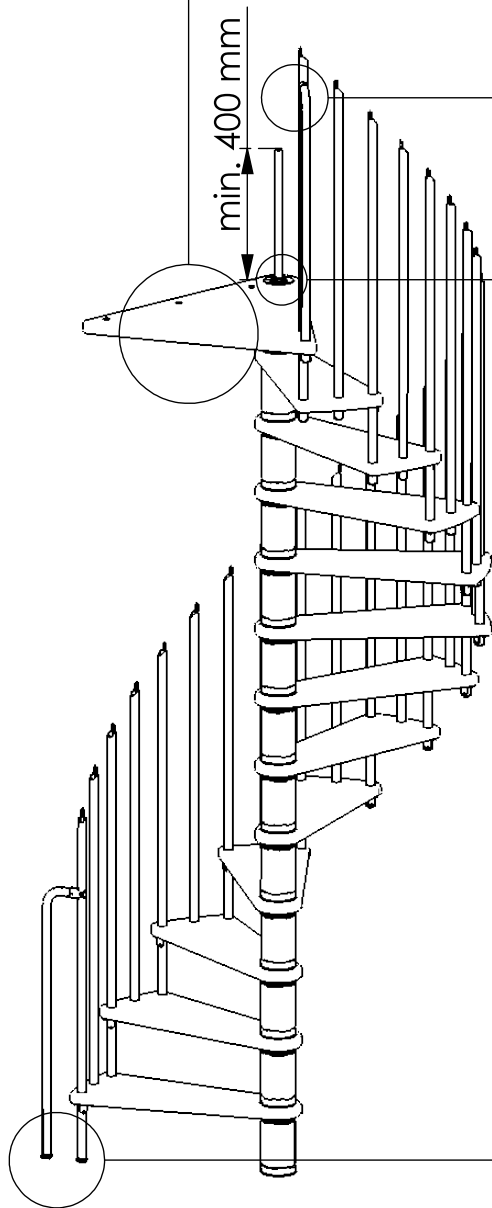
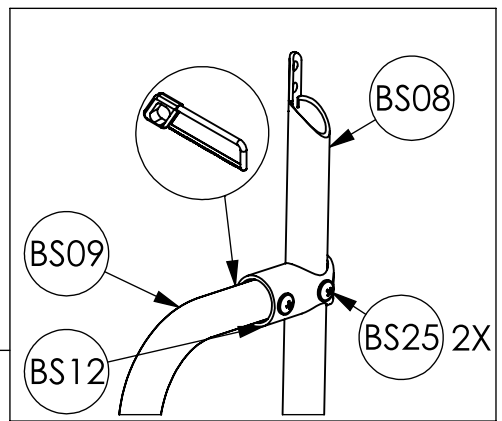
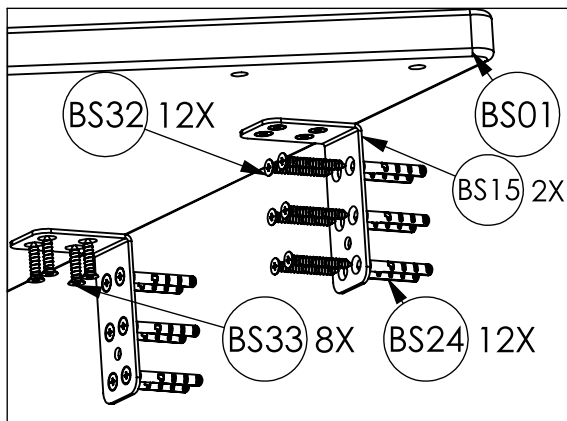


h	BS05a	BS05b
190 mm	0x	0x
195 mm	1x	0x
200 mm	2x	0x
205 mm	3x	0x
210 mm	4x	0x
215 mm	0x	1x
220 mm	1x	1x
225 mm	2x	1x
230 mm	3x	1x
235 mm	4x	1x

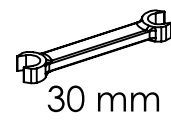
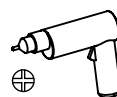
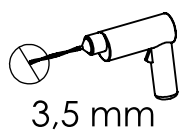
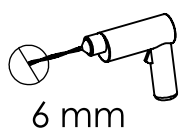
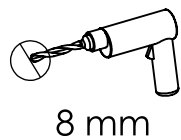


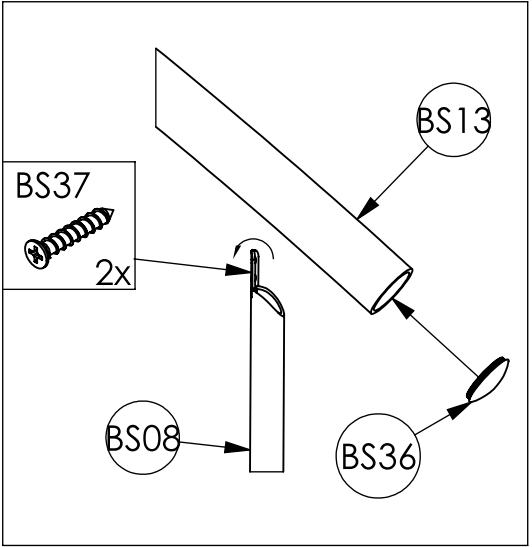
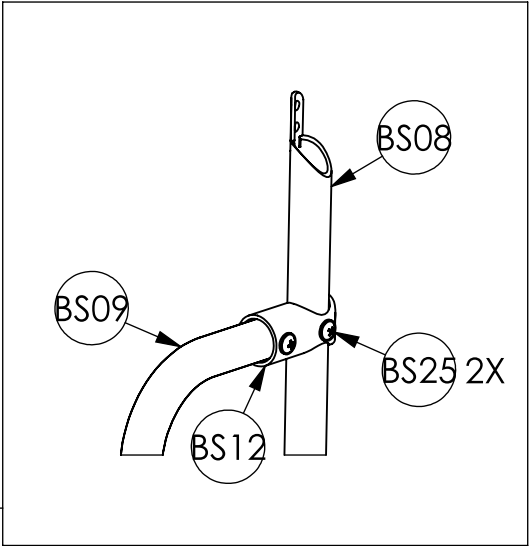
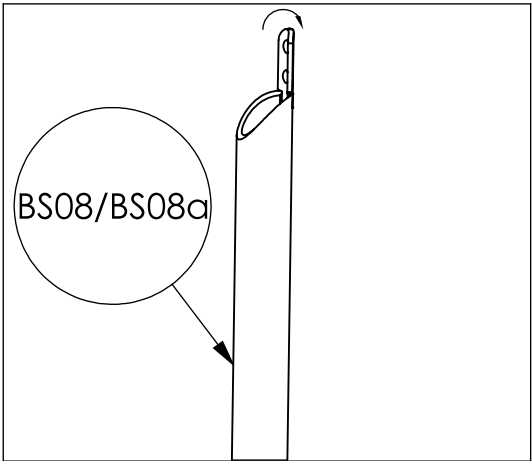
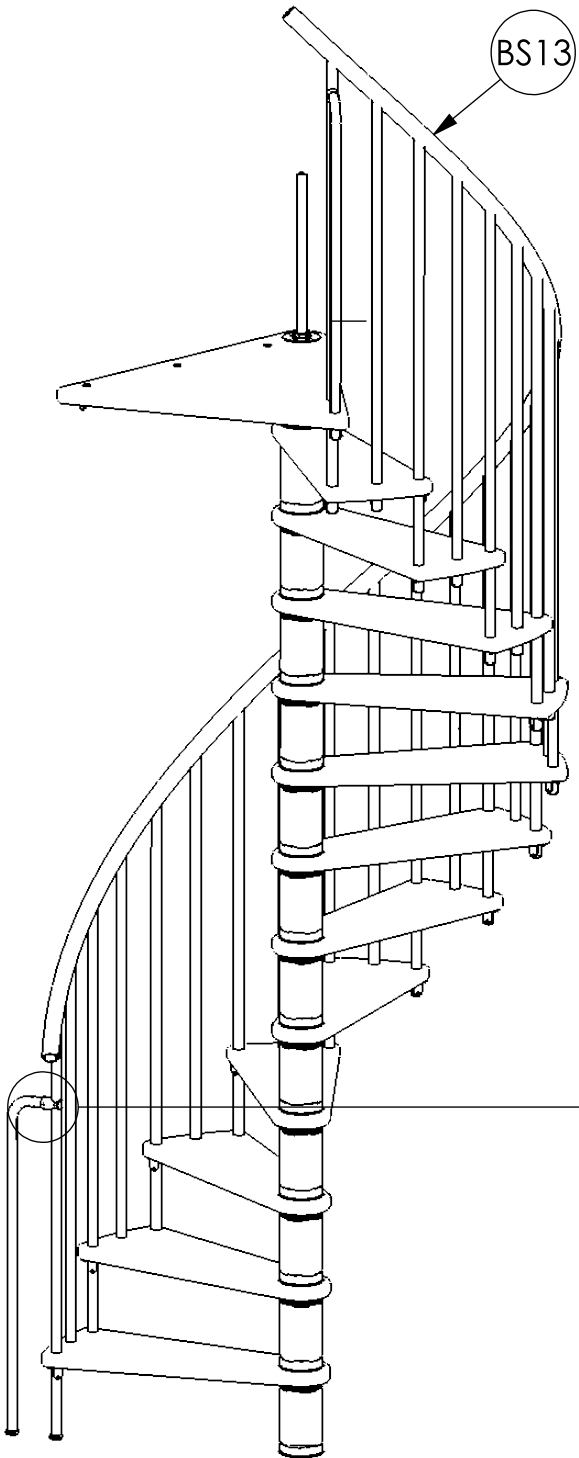
5



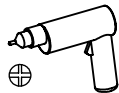


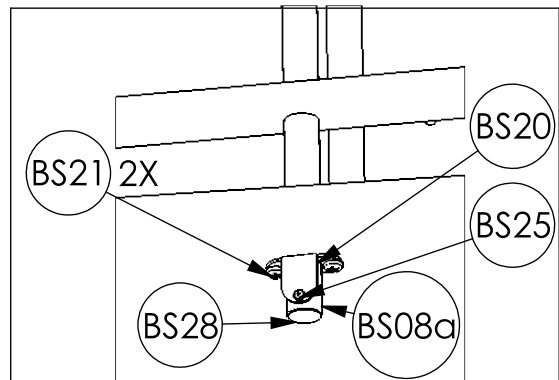
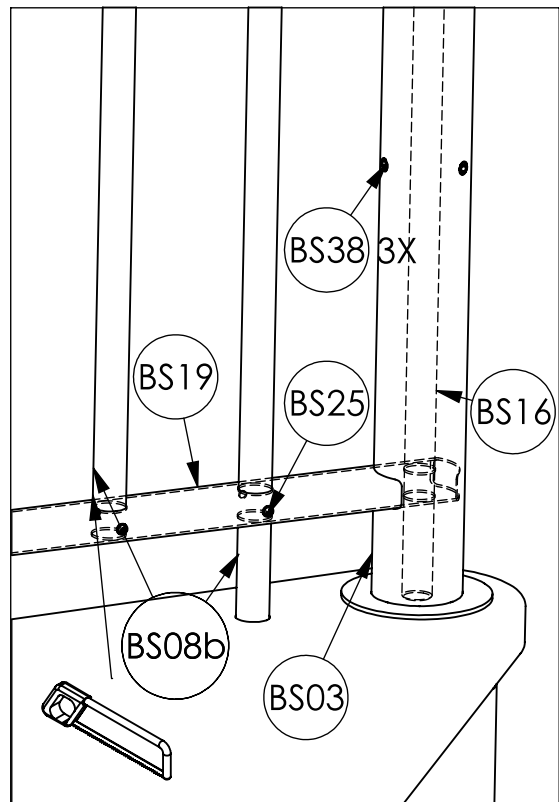
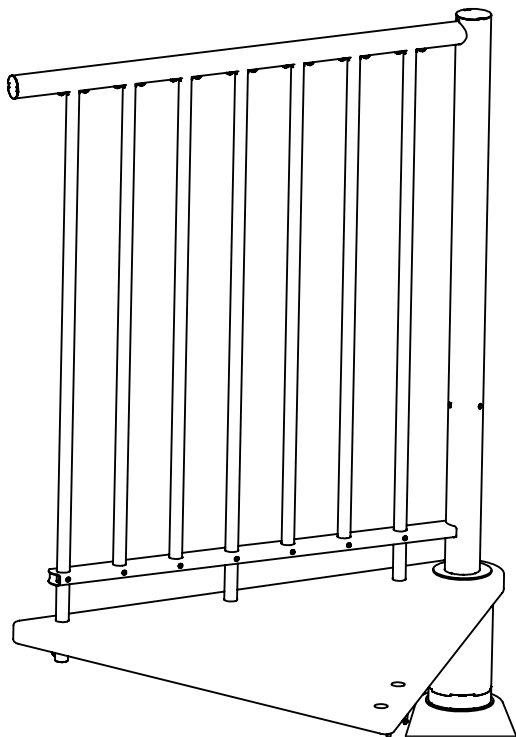
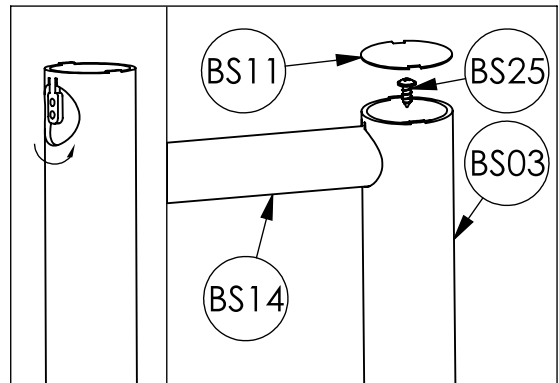
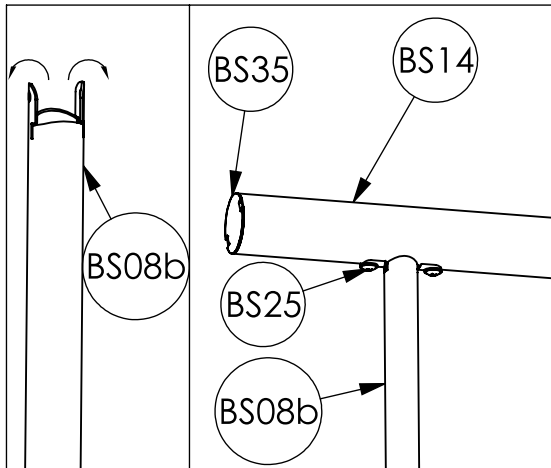
6





7





8

