

Steel stairways

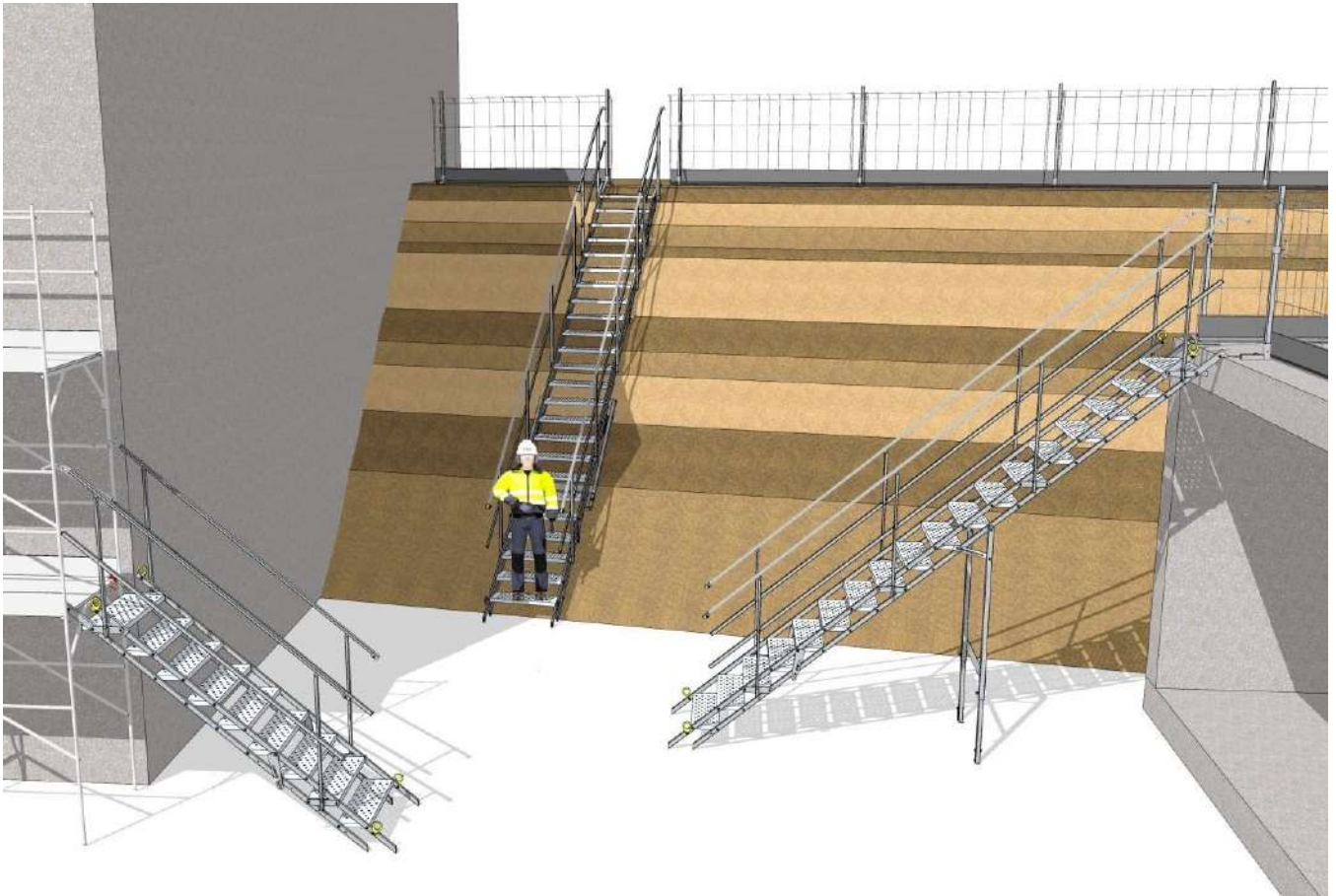
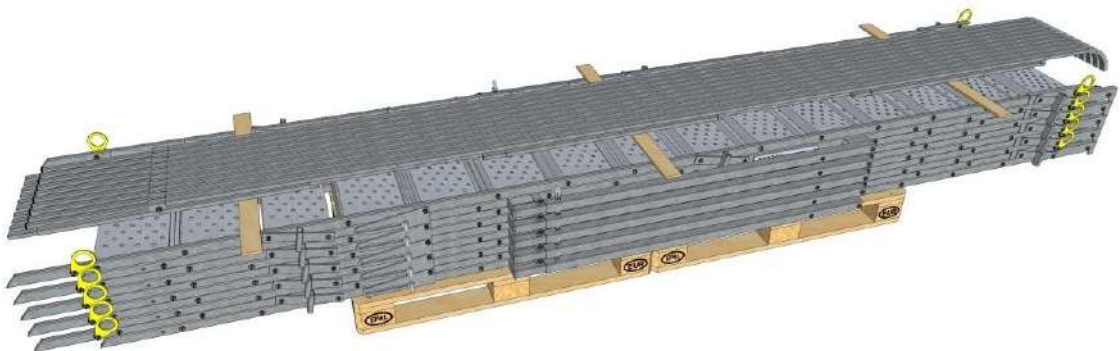


Table of contents

3	General information
4	Stairway 3 steps
5	Stairway 6 steps
6	Stairway 9 steps
7	Stairway 12 steps
8	Stairway 15 steps
9	Stairway 18 steps
10	Range of application
11-13	Assembly of the stairway
14-15	Installation of the stairway support (Stairway 15-18 steps)
16	Preventive maintenance
17	Assembly of 2 stairways
19-21	Stairway components

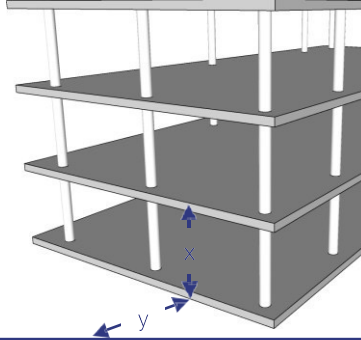


General Information

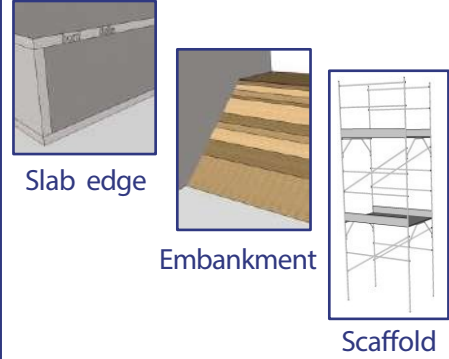
The installation of the stairway must be done safely.



Take the dimensions X and Y to choose the correct stairway according to the Range of application page 10.

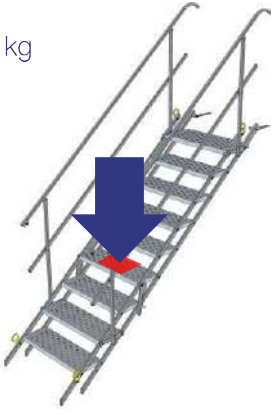


Identify the support to determine the type of dowel or anchor.



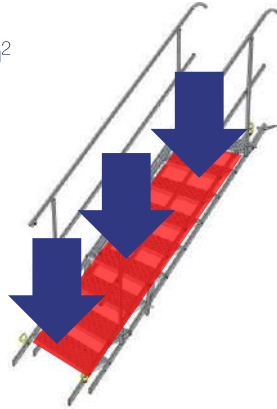
Point load

Max. 150 kg



Distributed load

! 100kg/m²



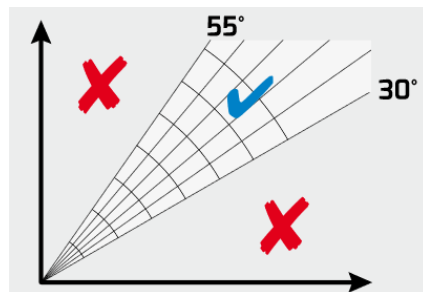
Remove the dirt and snow before any installation



Verify the stairway before installing



Min. 30!'"- max. 55!



**COMPLY WITH
EN 12811-1:2003**

Stairway 3 steps Hot-dip galvanised steel

Stairway 700 mm

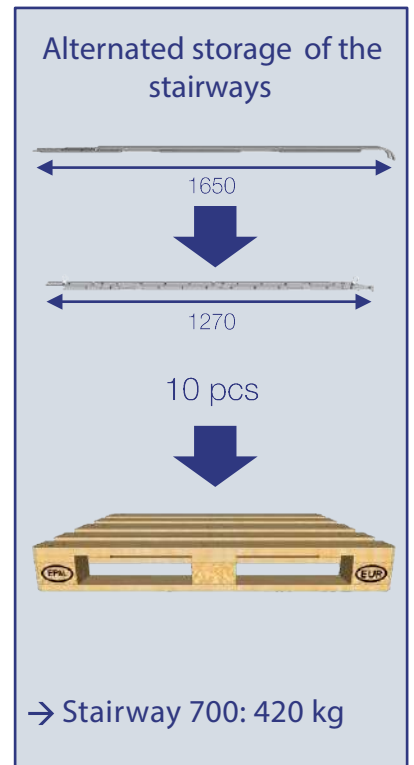
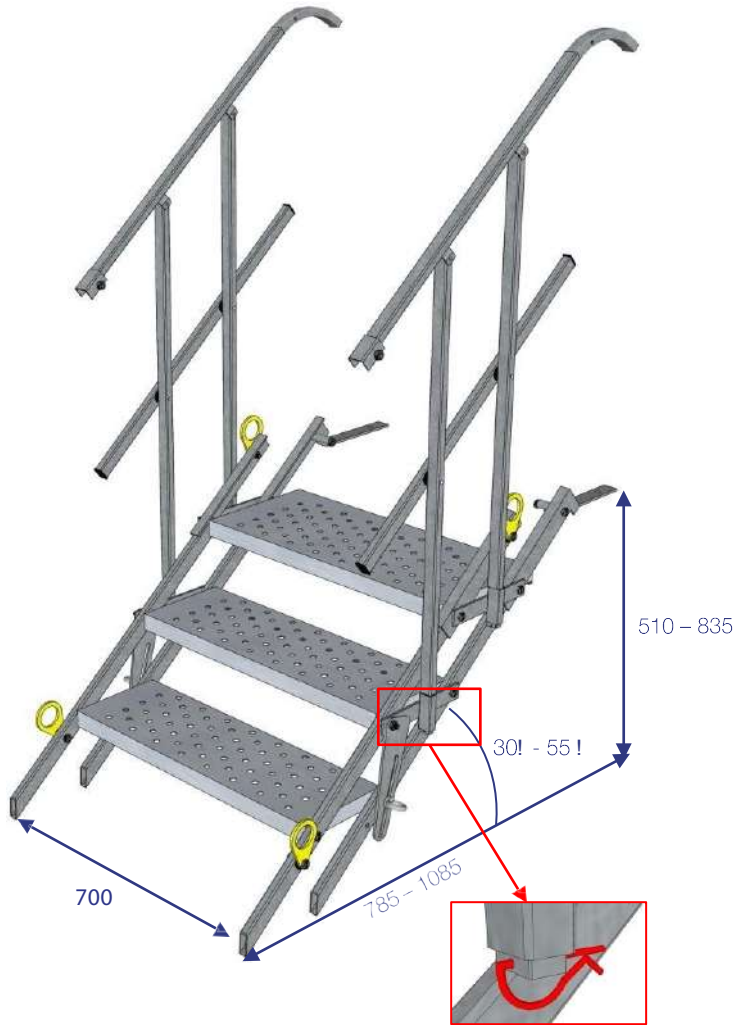
Code: 5060003

40 kg

EN 12811_1:2003

Max. point load: 150 kg

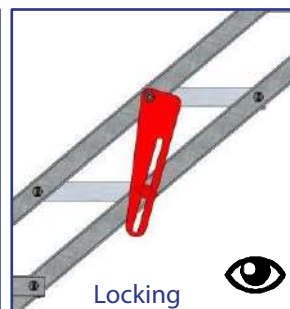
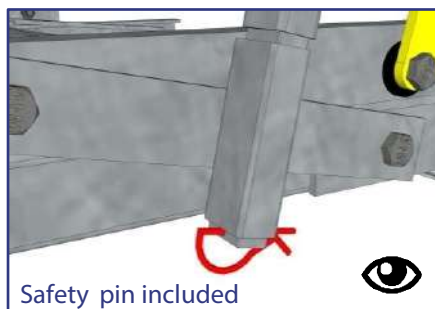
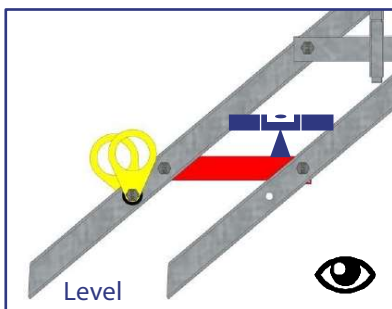
Max. distributed load: 100 kg/m²



Components

5161010	Single step stairway 700	2 pcs	5161004	Guard rail attachment	4 pcs
5161011	Landing step stairway 700	1 pc	5161003	Locking device	2 pcs
5161031	Lateral stringboard stairway 3 steps	1 set (4 pcs)	5161002	Lifting ring	4 pcs
5151038	Guard rail stairway 3 steps	2 pcs	5161001	Slab attachment	2 pcs

[mm]



Stairway 6 steps Hot-dip galvanised steel

Stairway 700 mm

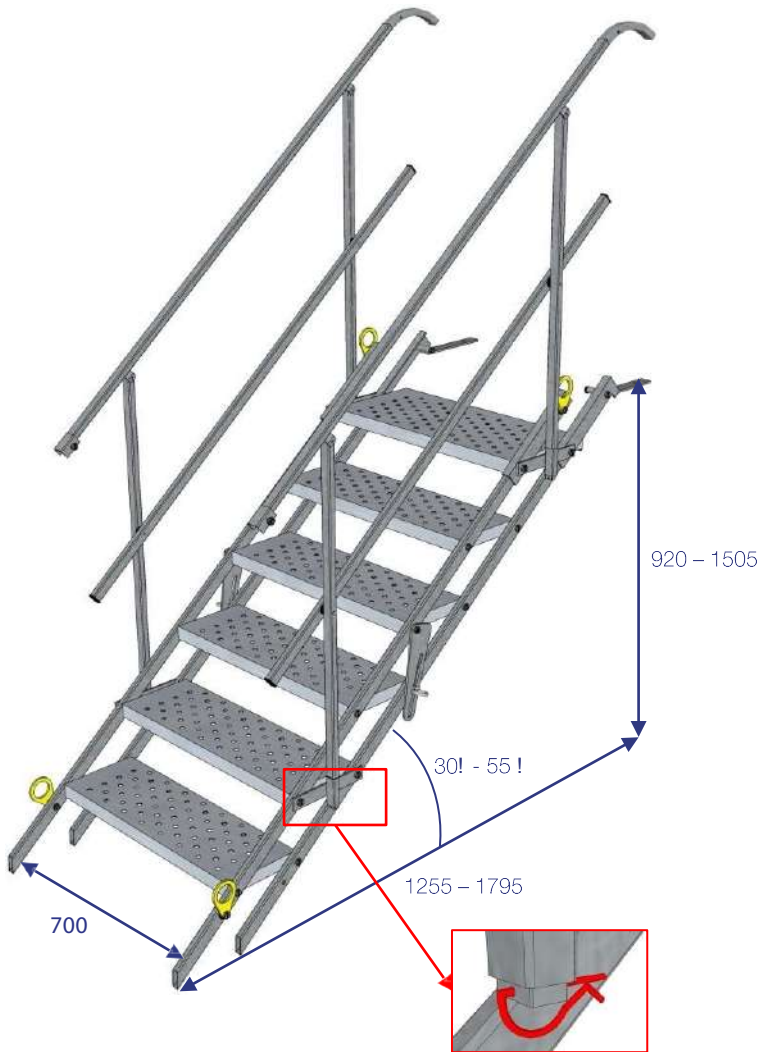
Code: 5060006

63 kg

EN 12811_1:2003

Max. point load: 150 kg

Max. distributed load: 100 kg/m²



Alternated storage of the stairways

2450

2080

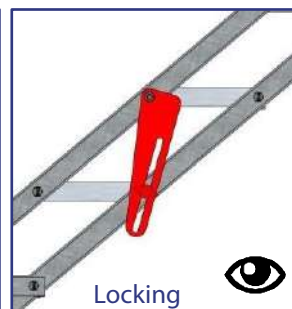
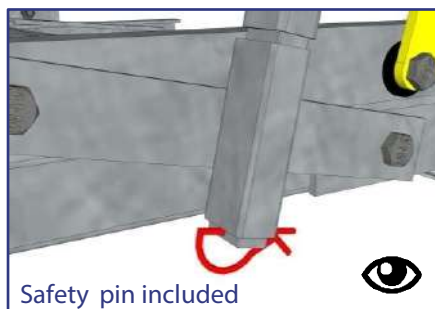
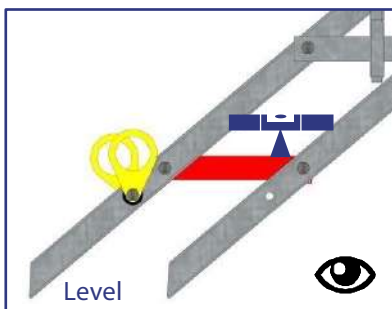
10 pcs

→ Stairway 700: 650 kg

Components

5161010	Single step stairway 700	5 pcs	5161004	Guard rail attachment	4 pcs
5161011	Landing step stairway 700	1 pc	5161003	Locking device	2 pcs
5161061	Lateral stringboard stairway 6 steps	1 set (4 pcs)	5161002	Lifting ring	4 pcs
5151068	Guard rail stairway 6 steps	2 pcs	5161001	Slab attachment	2 pcs

[mm]



Stairway 9 steps Hot-dip galvanised steel

Stairway 700 mm

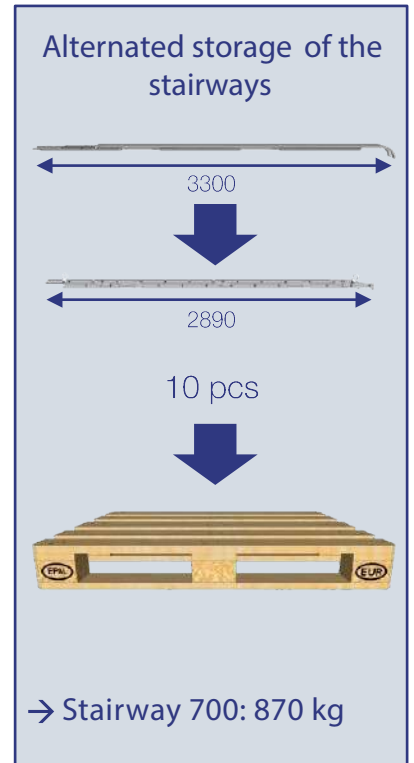
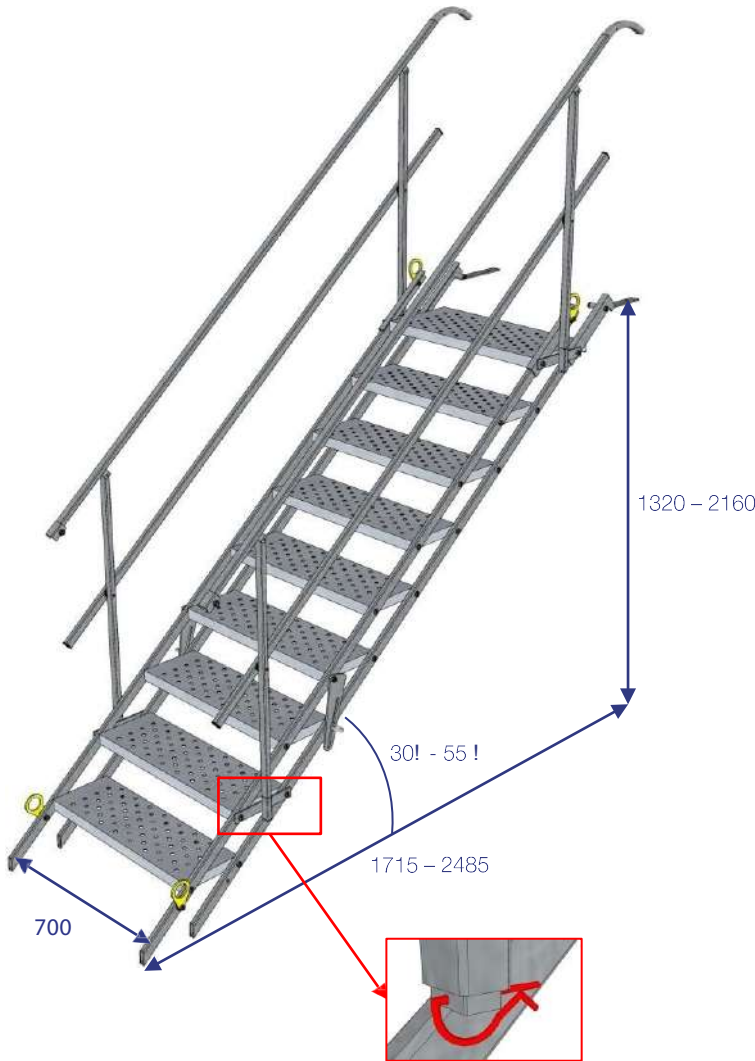
Code: 5060009

85 kg

EN 12811_1:2003

Max. point load: 150 kg

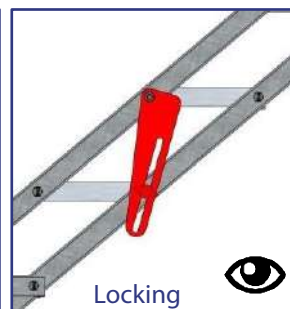
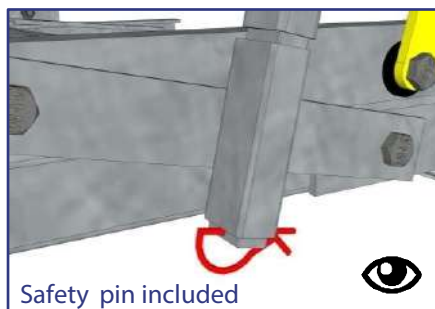
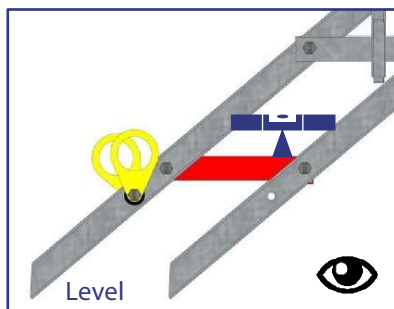
Max. distributed load: 100 kg/m²



Components

[mm]

5161010	Single step stairway 700	8 pcs	5161004	Guard rail attachment	4 pcs
5161011	Landing step stairway 700	1 pc	5161003	Locking device	2 pcs
5161091	Lateral stringboard stairway 9 steps	1 set (4 pcs)	5161002	Lifting ring	4 pcs
5151098	Guard rail stairway 9 steps	2 pcs	5161001	Slab attachment	2 pcs



Stairway 12 steps Hot-dip galvanised steel

Stairway 700 mm

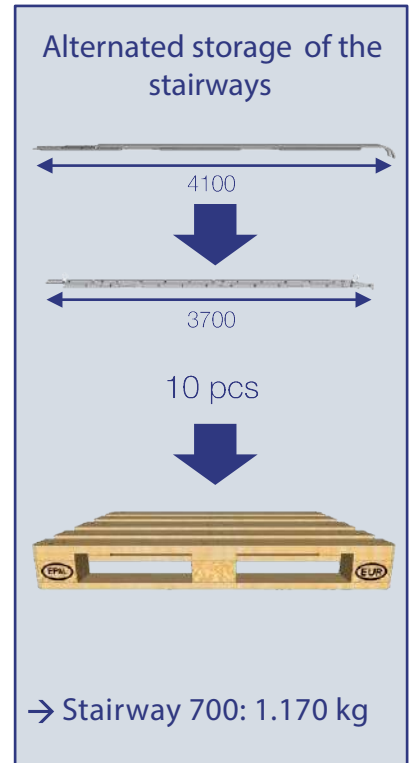
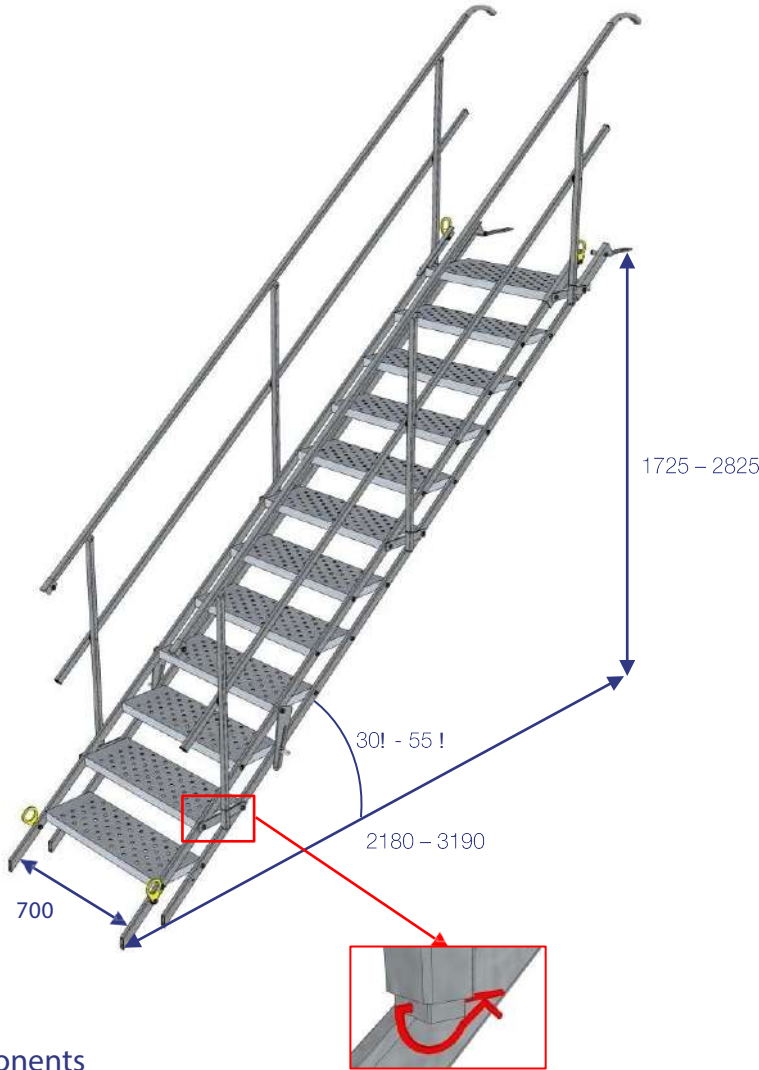
Code: 5060012

115 kg

EN 12811_1:2003

Max. point load: 150 kg

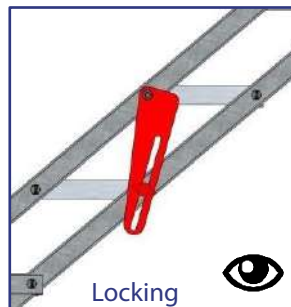
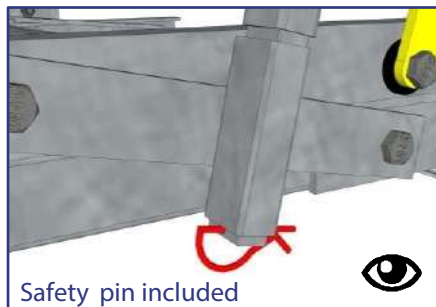
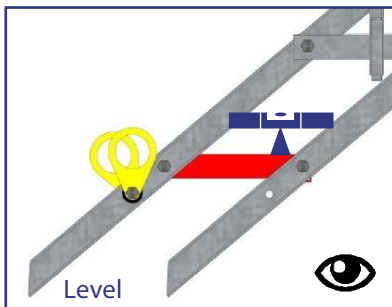
Max. distributed load: 100 kg/m²



Components

5161010	Single step stairway 700	11 pcs	5161004	Guard rail attachment	6 pcs
5161011	Landing step stairway 700	1 pc	5161003	Locking device	4 pcs
5161121	Lateral stringboard stairway 12 steps	1 set (4 pcs)	5161002	Lifting ring	4 pcs
5151128	Guard rail stairway 12 steps	2 pcs	5161001	Slab attachment	2 pcs

[mm]



Stairway 15 steps Hot-dip galvanised steel

Stairway 700 mm

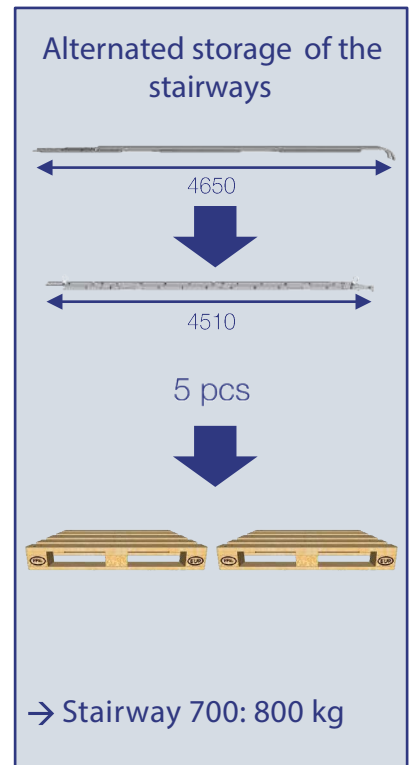
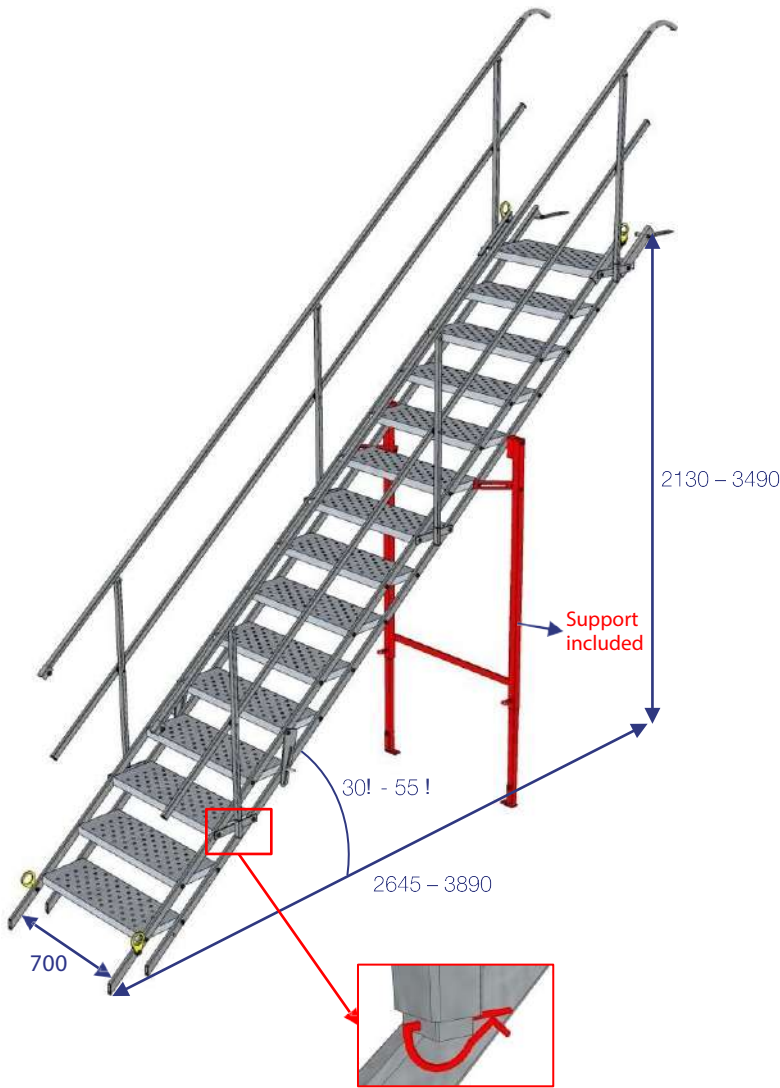
Code: 5060015

152 kg

EN 12811_1:2003

Max. point load: 150 kg

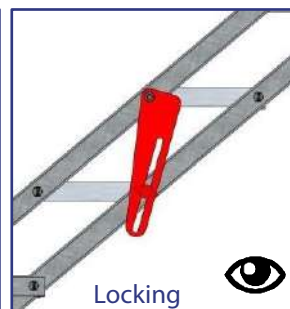
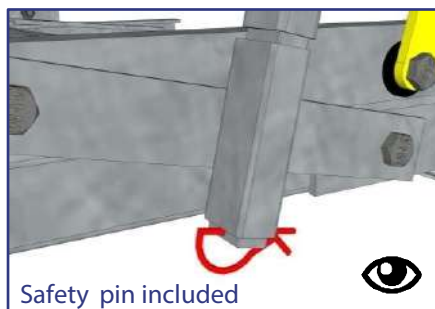
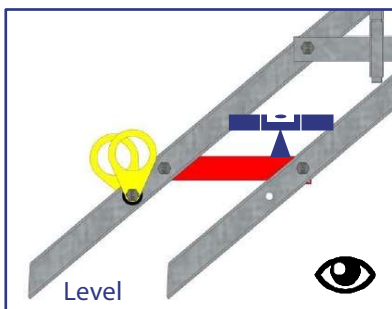
Max. distributed load: 100 kg/m²



Components

5161010	Single step stairway 700	14 pcs	5161004	Guard rail attachment	6 pcs
5161011	Landing step stairway	1 pc	5161003	Locking device	4 pcs
5161151	Lateral stringboard stairway 3 steps	1 set (4 pcs)	5161002	Lifting ring	4 pcs
			5161001	Slab attachment	2 pcs
5151158	Guard rail stairway 3 steps	2 pcs	5061001 (5061005)	Stairway support	1 pc

[mm]



Stairway 18 steps Hot-dip galvanised steel

Stairway 700 mm

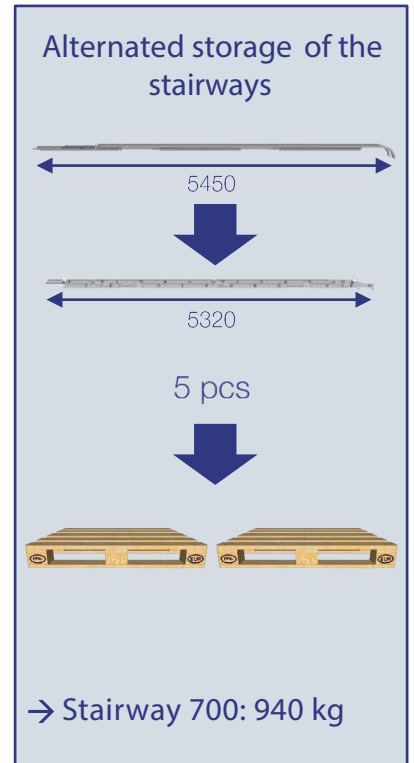
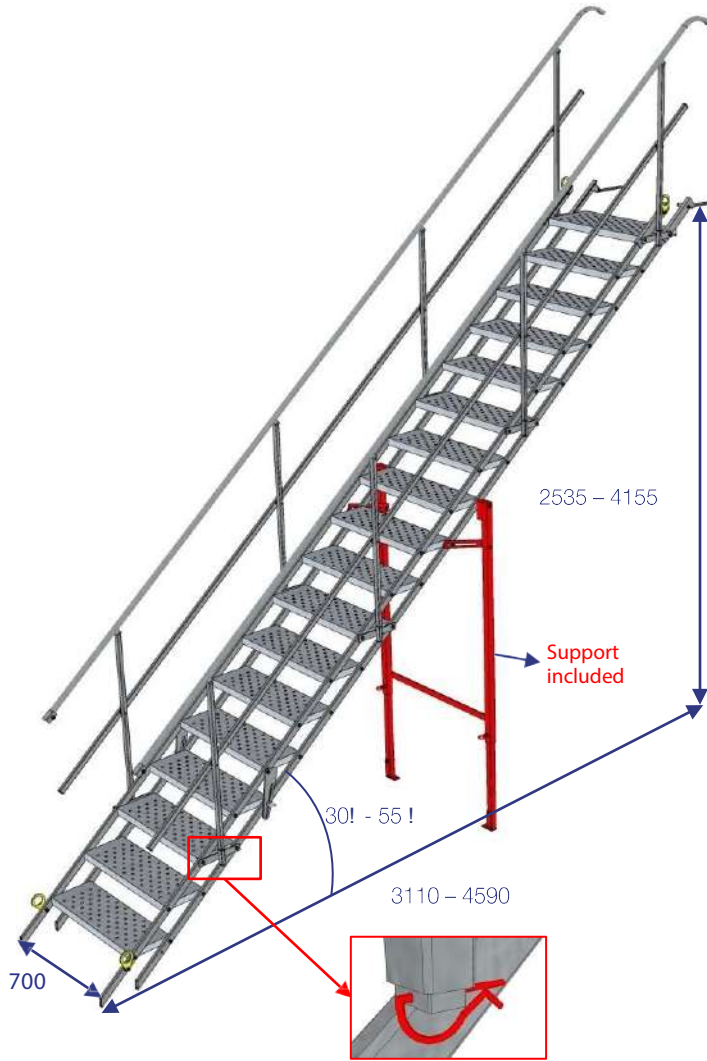
Code: 5060018

180 kg

EN 12811_1:2003

Max. point load: 150 kg

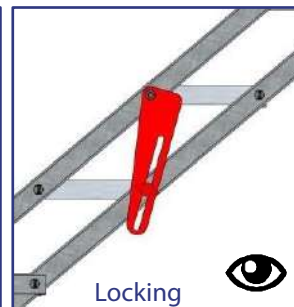
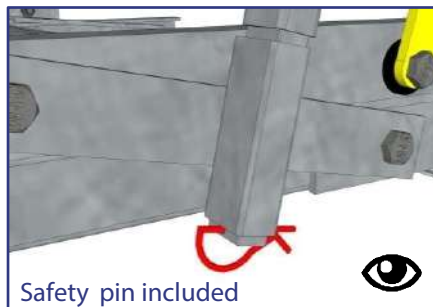
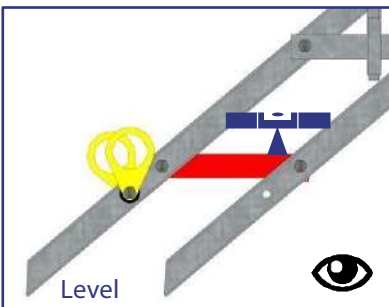
Max. distributed load: 100 kg/m²



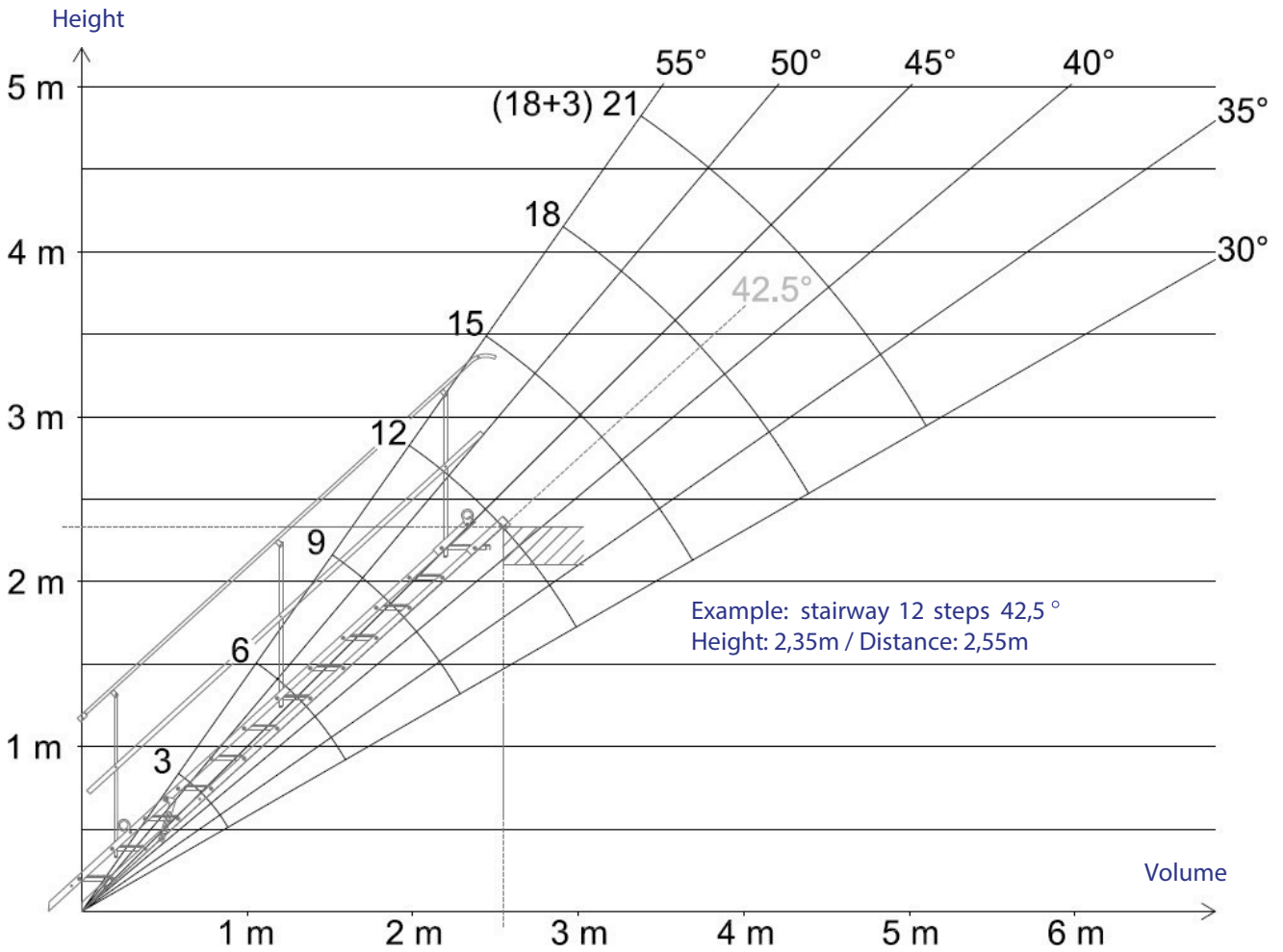
Components

5161010	Single step stairway 700	14 pcs	5161004	Guard rail attachment	8 pcs
5161011	Landing step stairway 700	1 pc	5161003	Locking device	4 pcs
5161181	Lateral stringboard stairway 3 steps	1 set (4 pcs)	5161002	Lifting ring	4 pcs
			5161001	Slab attachment	2 pcs
5151188	Guard rail stairway 3 steps	2 pcs	5061001 (5061005)	Stairway support	1 pc

[mm]

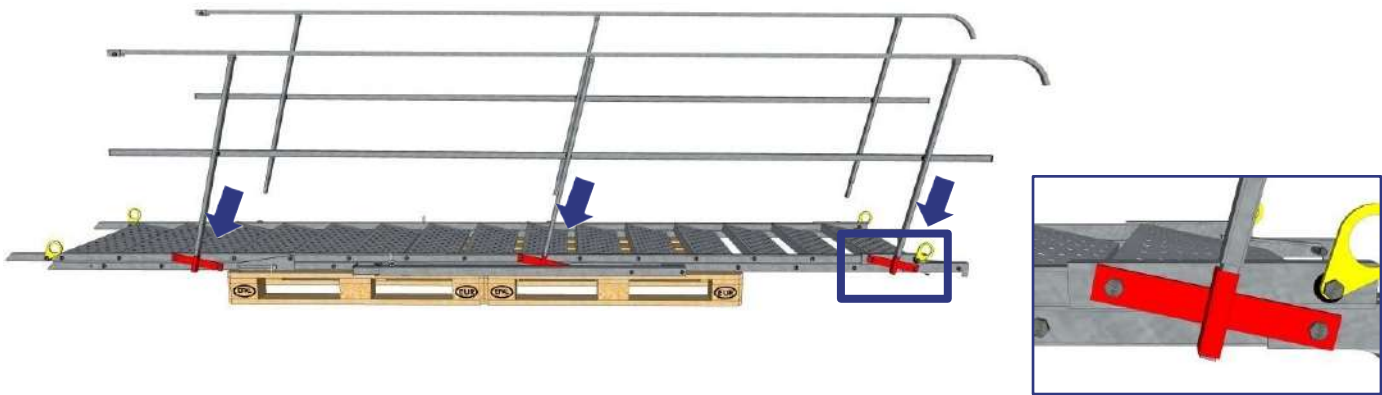


Range of application



Assembly of the stairway

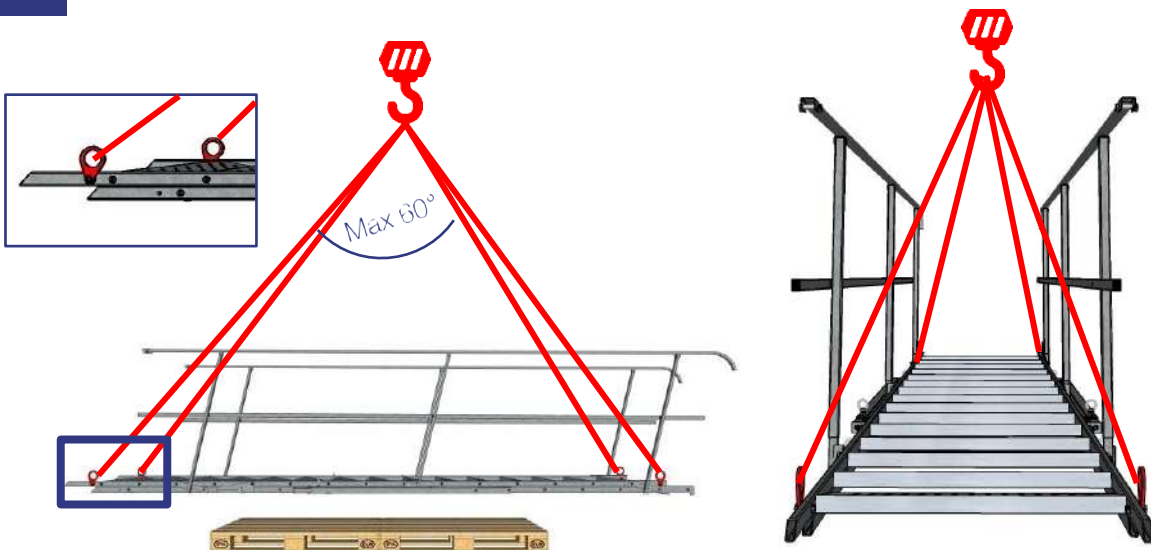
1 Plug the guard rails in.



2 Secure them with the guard rail safety pins.



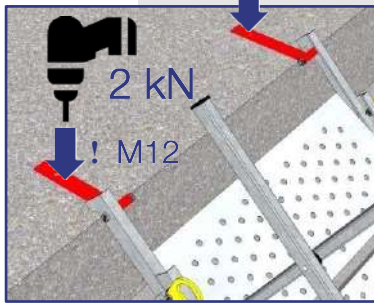
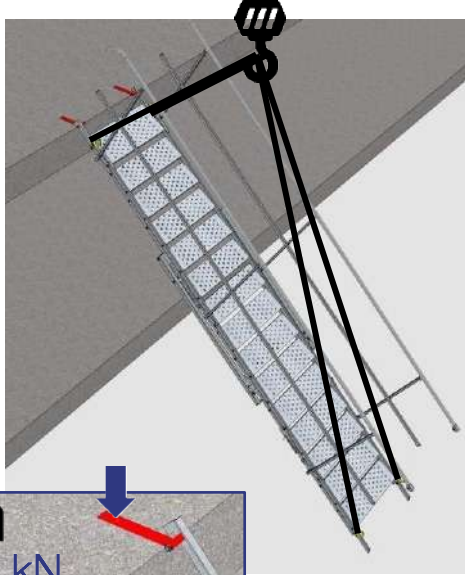
3 Lift the stairway using the rings.



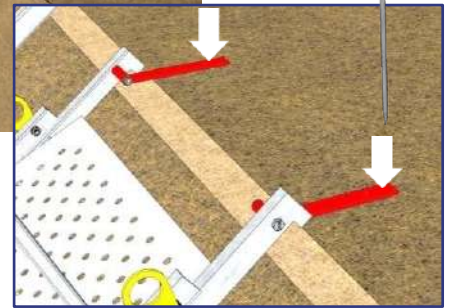
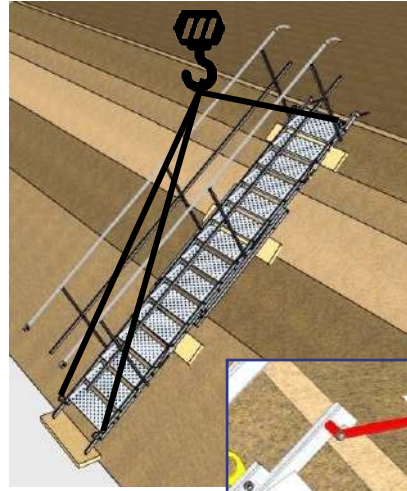
Assembly of the stairway

4 Application

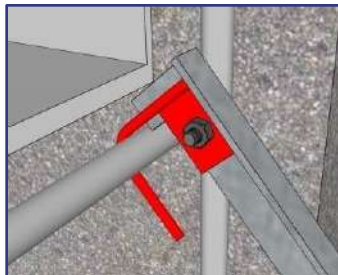
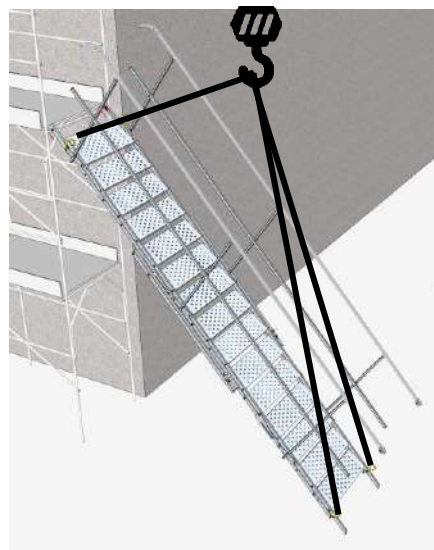
Slab edge



Embankment

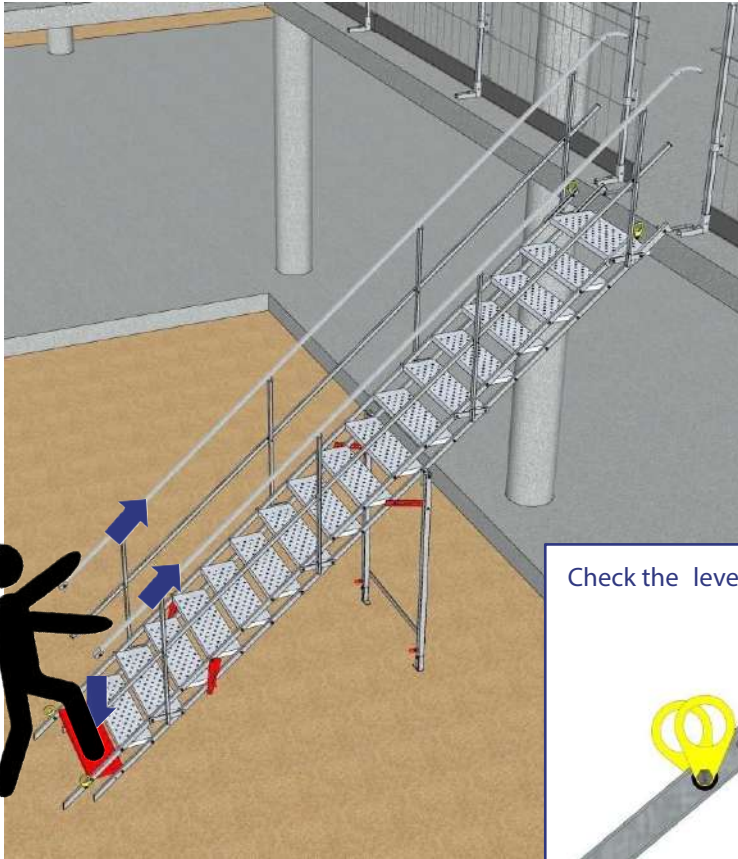


Scaffold



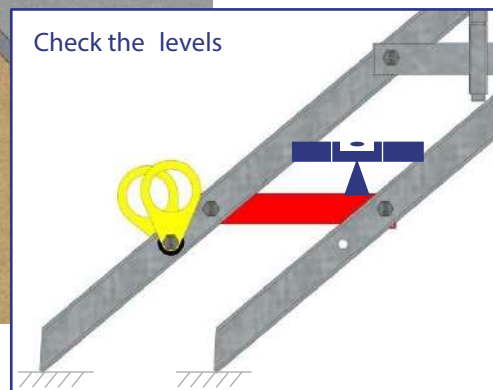
Assembly of the stairway

- 5** Once it is placed and secured on top, push on the guard rails so that the steps are parallel to the floor.

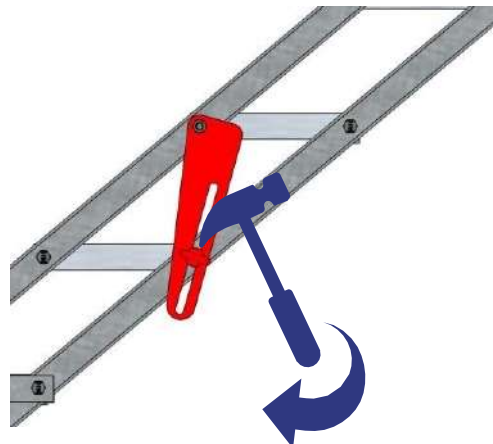


Operations to conduct from the floor according to the following actions:

1. Unlock the locking device.
2. Push on the guard rails, feet on the floor.
3. Lock the guard rails with the safety pin.

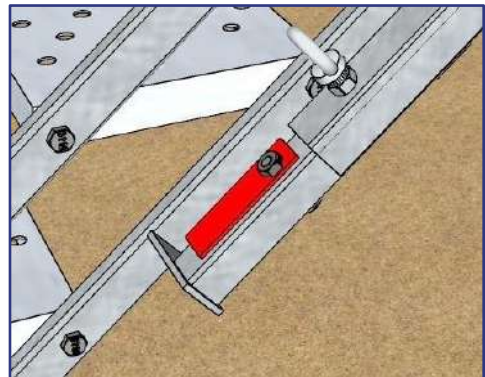
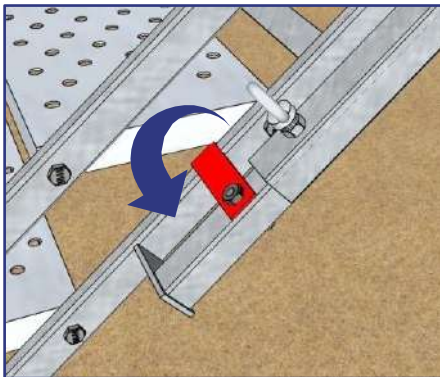
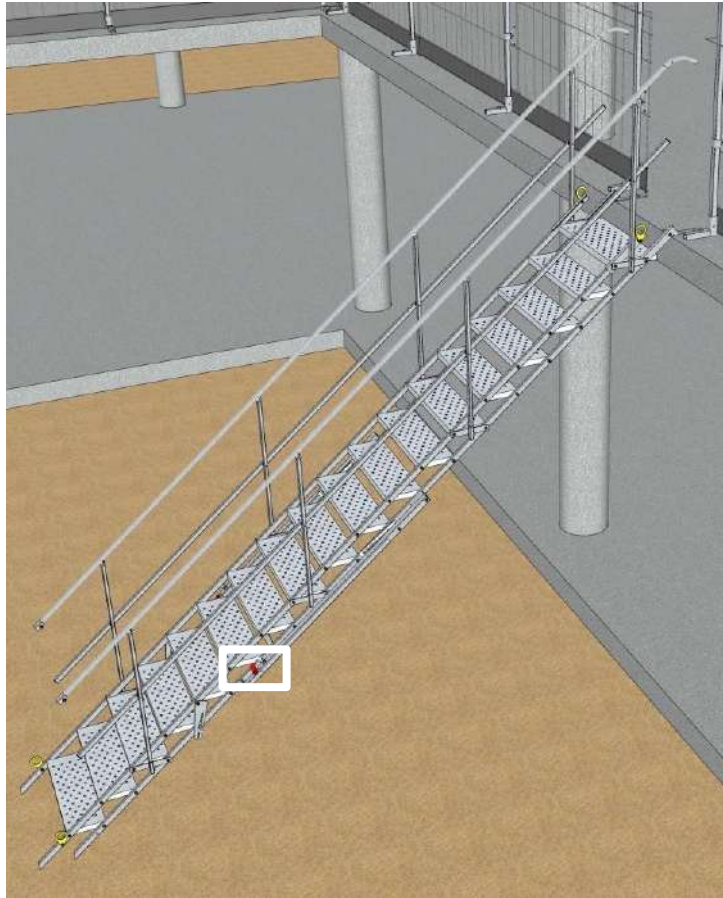


- 6** Tighten the locking device once the stairway is placed correctly.



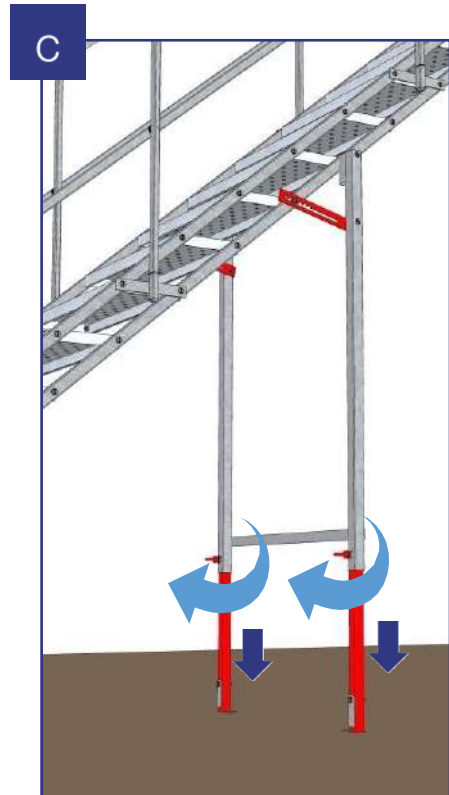
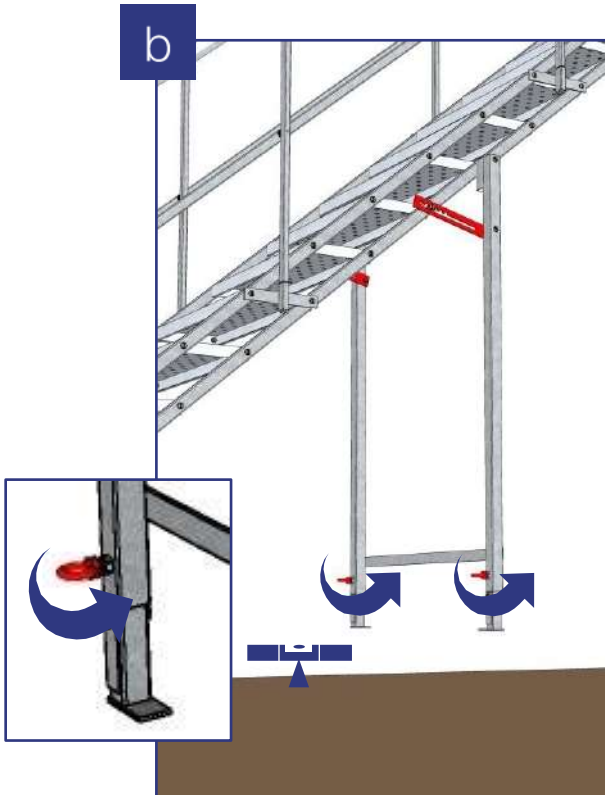
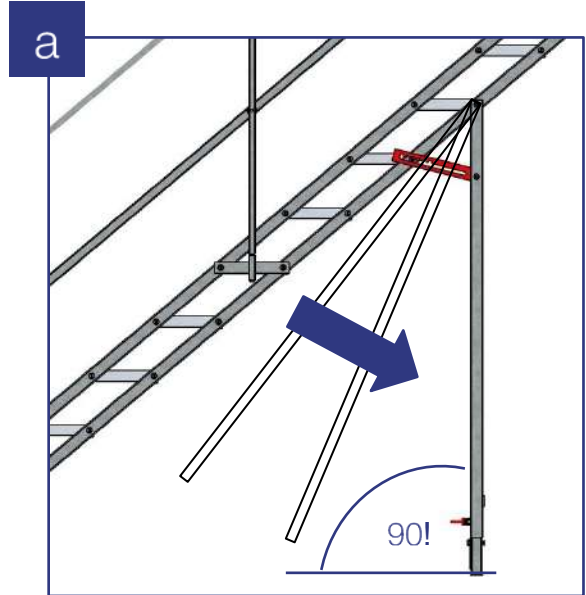
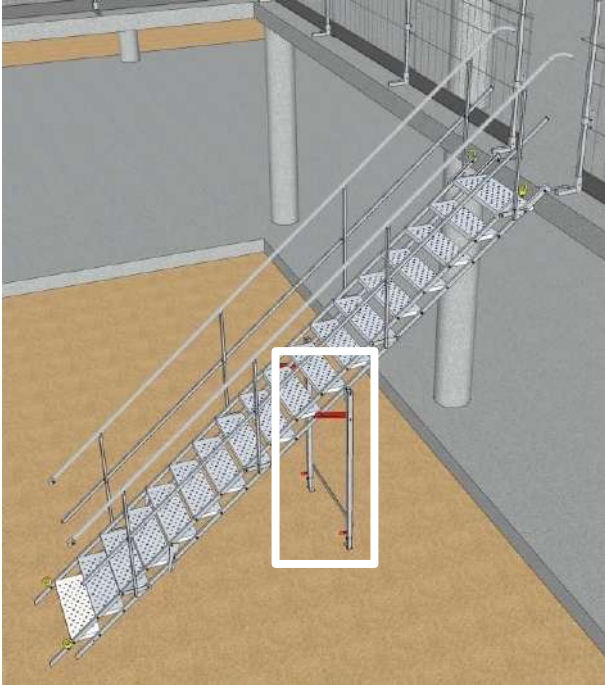
Installation of the stairway support (Staiway 15-18 steps)

7 Unlock the support safety mechanism.

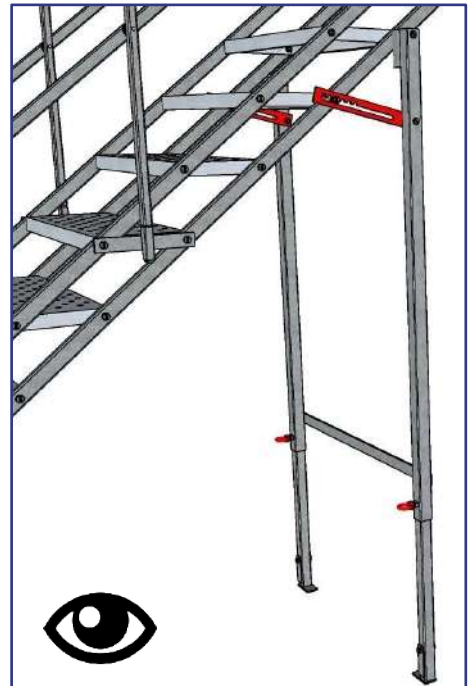
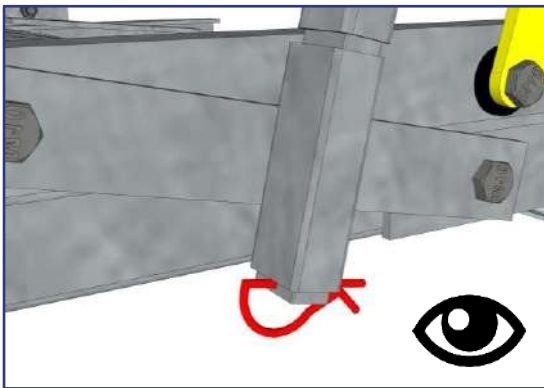
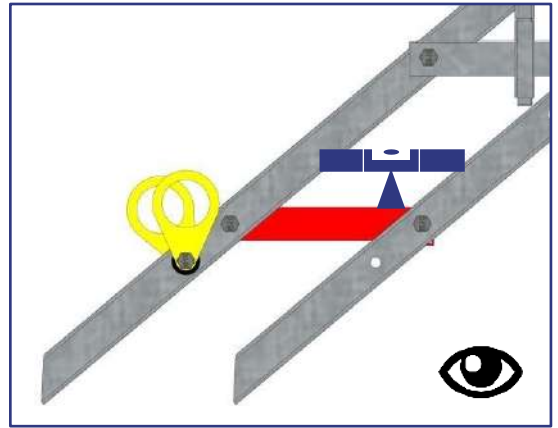
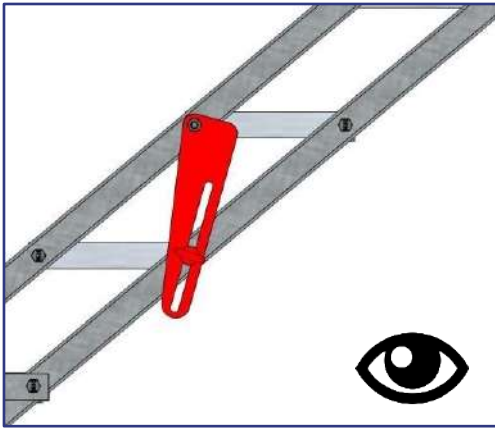


Installation of the stairway support (Staiway 15-18 steps)

8 Unfold the support.



Preventivemaintenance



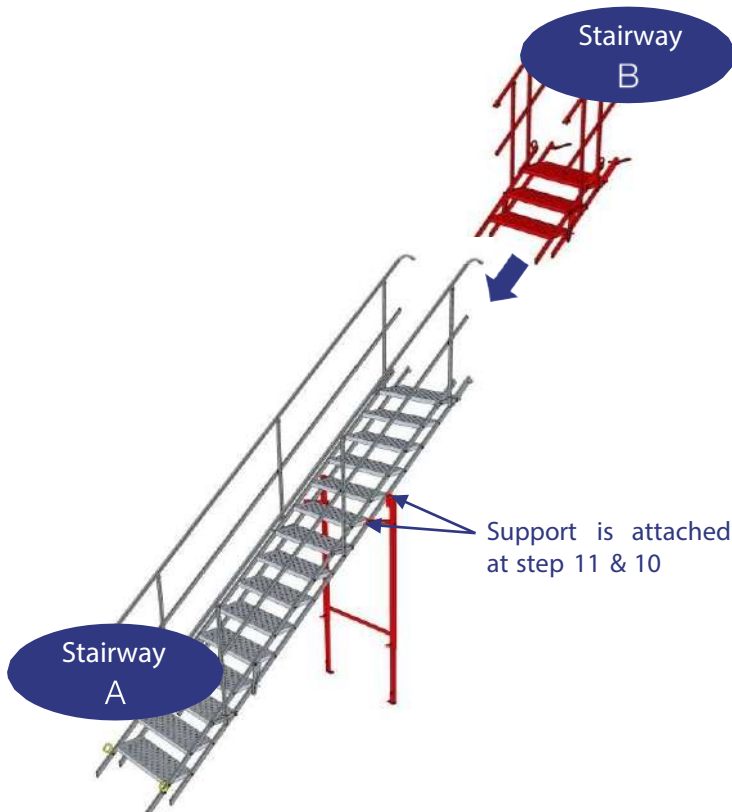
Check every week at least!

Assembly of 2 stairways

Connection of 2 independent stairways	3 steps	6 steps	9 steps	12 steps	15 steps	18 steps
3 steps	!	!	!	✓	★	★
6 steps	!	!	✓	✓	★	✗
9 steps	!	✓	✓	✓	✗	✗
12 steps	✓	✓	✓	✗	✗	✗
15 steps	★	★	✗	✗	✗	✗
18 steps	★	✗	✗	✗	✗	✗

- No support needed
- ✓ Support needed
- ★ Support included
- ✗ DO NOT connect

Ex: Assembly of 15+3: To obtain 18 steps. The smallest (B) stairway is always on the top part, and the tallest with a support (A) on the bottom part of the installation.

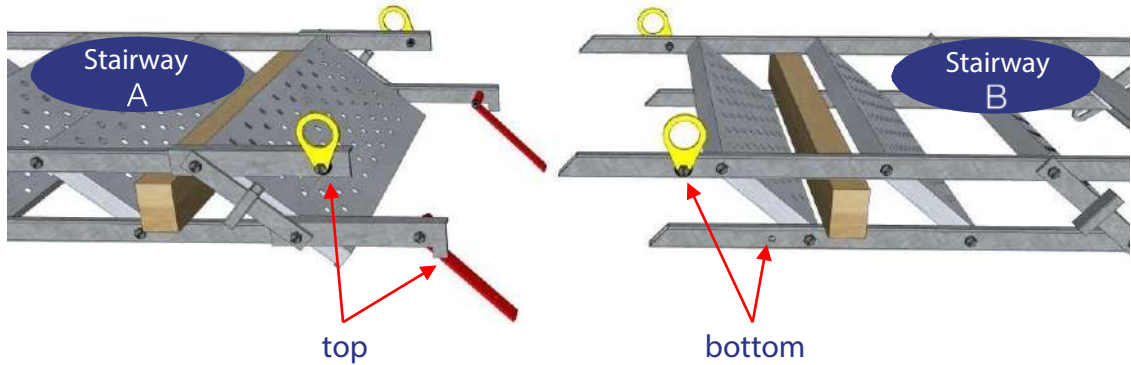


Assembly of 2 stairways:

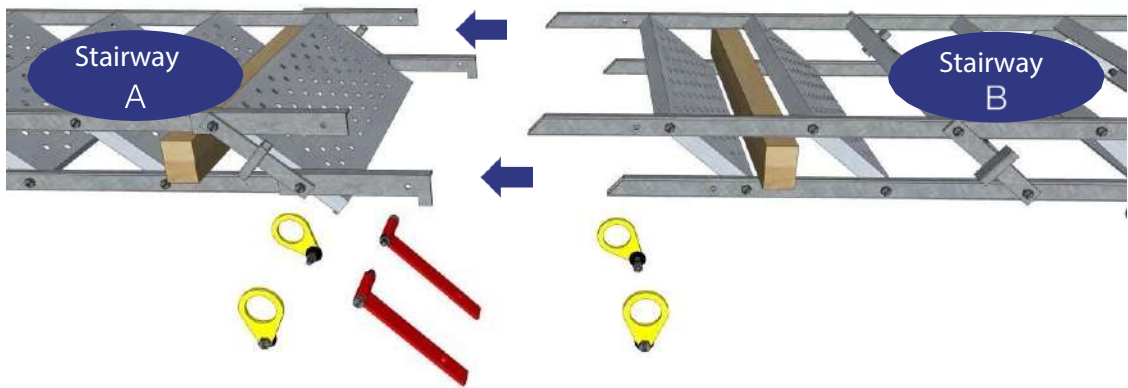
- max. 2 stairways
- max. 21 steps
- support is mandatory for 15-21 steps
- > 21 steps: on embankment

Assembly of 2 stairways

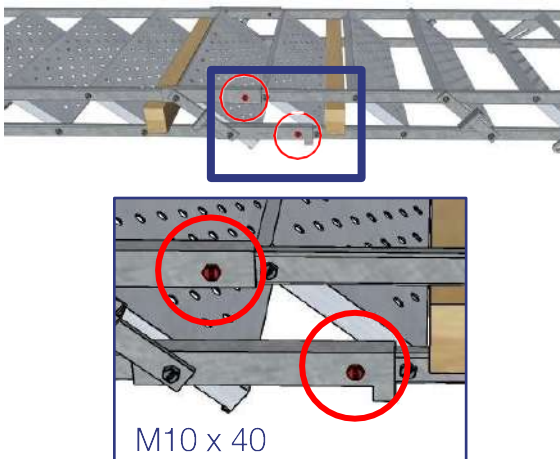
- 1 Remove the liftingrings of stairways A and B, as well as the slab attachment on stairway A.



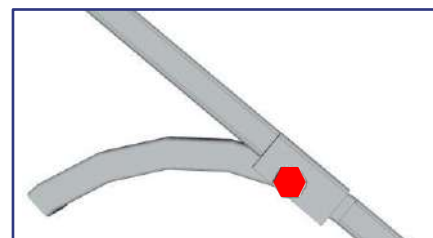
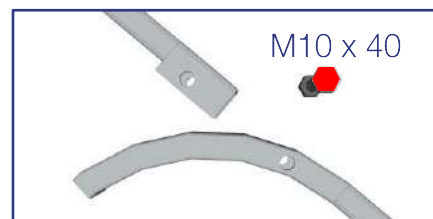
- 2 Set the 2 stairways identically and put the smallest (B) into the largest (A) and slide it.



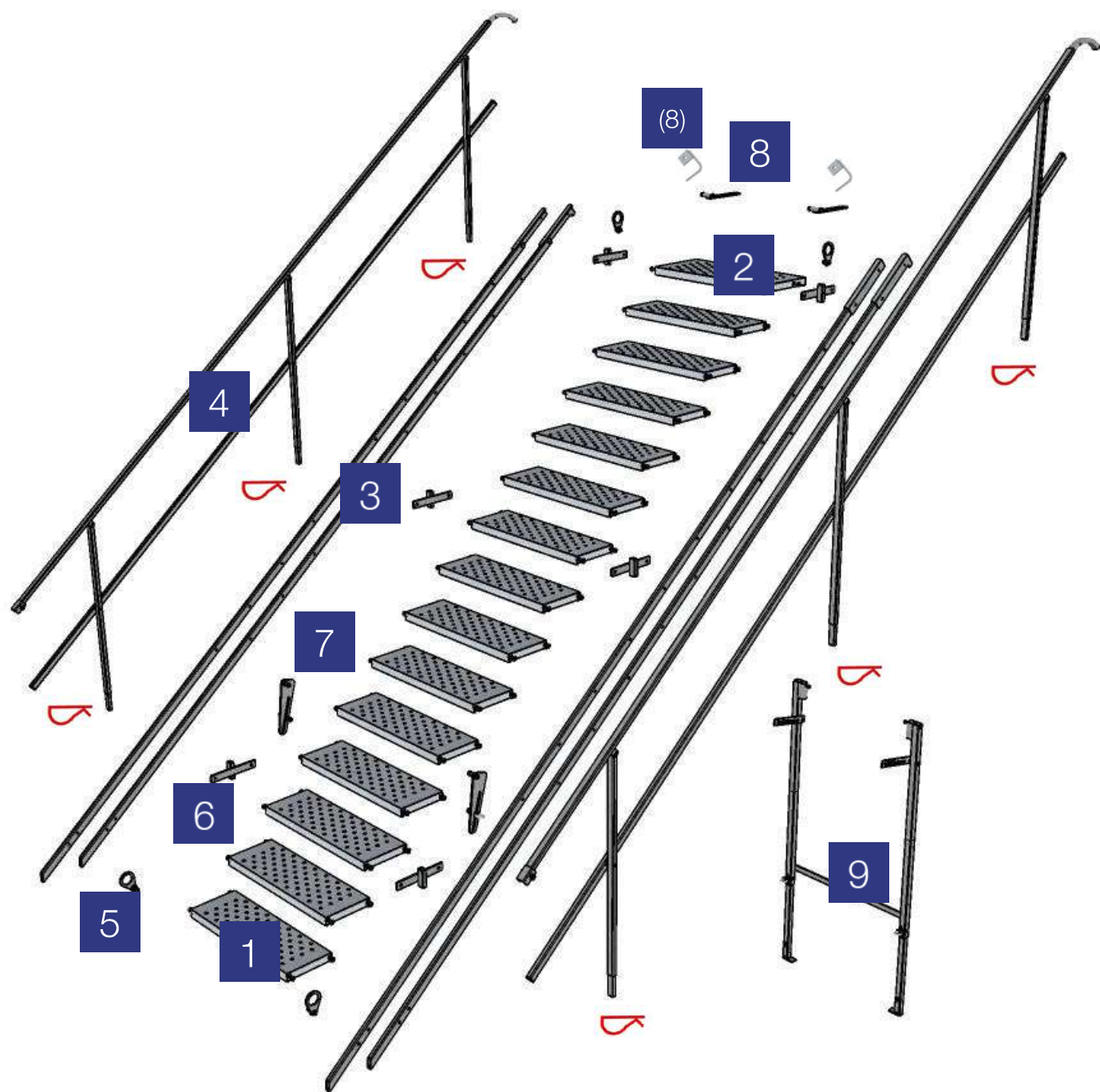
- 3 Once in placed, secure the stairways with screws and tighten them.



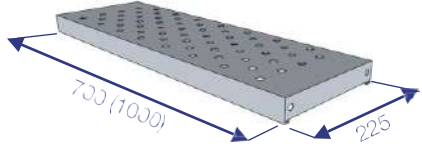
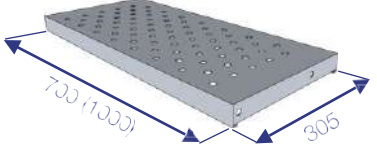
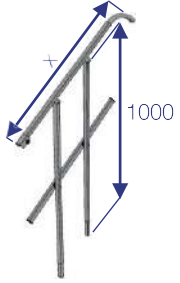


- 4 Connect the guard rails.



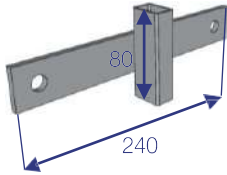
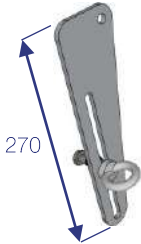
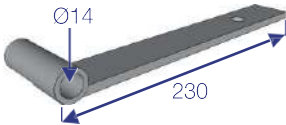
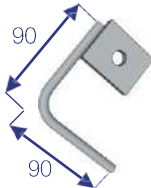
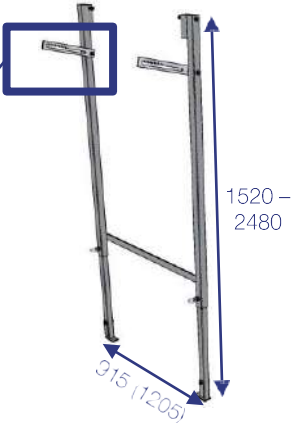
Stairway components (example 15 steps)



Stairway components

N°	Code	Description	Image
1	5161010	Single step stairway 700	
2	5161011	Landing step stairway 700	
3	5161031 5161061 5161091 5161121 5161151 5161181	Lateral stringboard: Stairway 3 steps (x =1065) Stairway 6 steps (x =1875) Stairway 9 steps (x =2685) Stairway 12 steps (x =3495) Stairway 15 steps (x =4305) Stairway 18 steps (x =5115)	
4	5161038 5161068 5161098 5161128 5161158 5161188	Guard rails: Stairway 3 steps (x =954) Stairway 6 steps (x =1760) Stairway 9 steps (x =2568) Stairway 12 steps (x =3399) Stairway 15 steps (x =4206) Stairway 18 steps (x =5018)	
		R-Clip	
5	5161002	Lifting rings	

Stairway components

N°	Code	Description	Image
6	5161004	Lifting rings	
7	5161003	Locking device	
8	5161001	Slab attachment	
(8)	5061103	Tube attachment	
9	5261001	Stairway support 700	
	50610019	Support safety device (crocodile)	