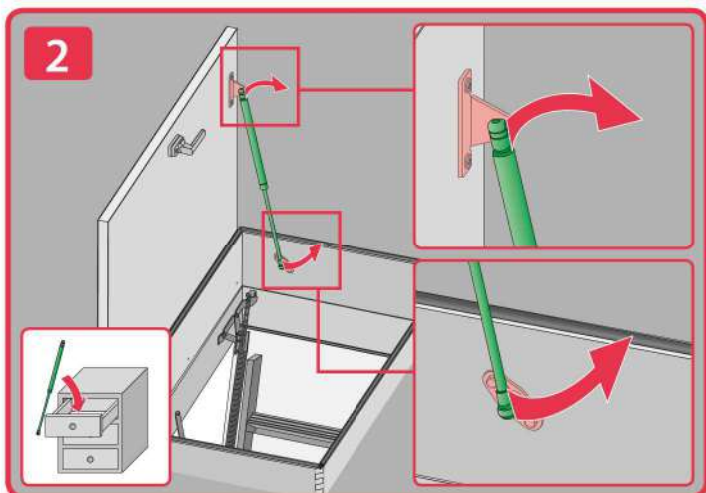
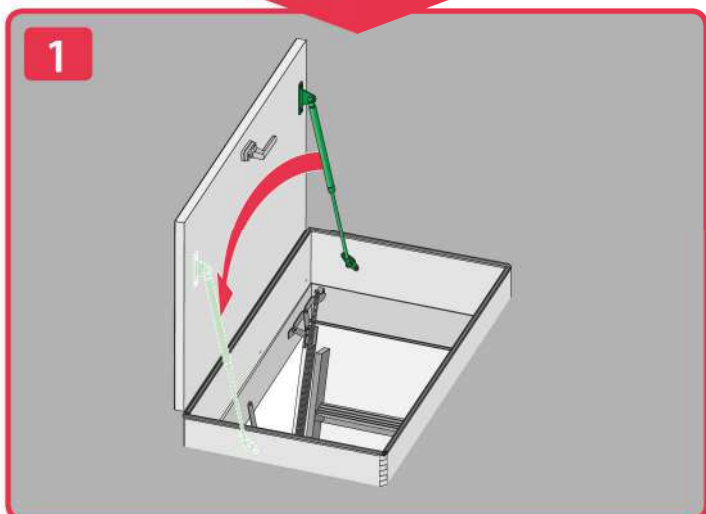


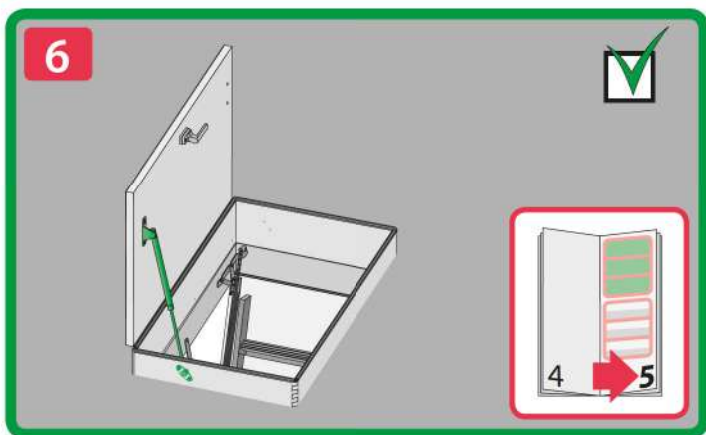
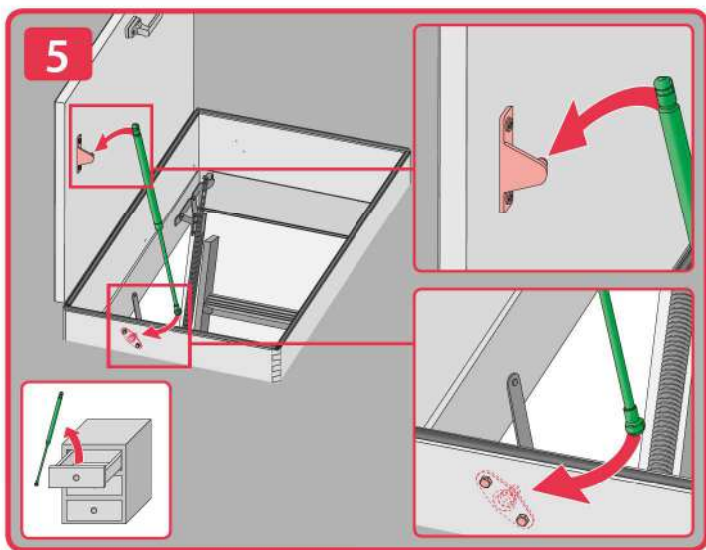
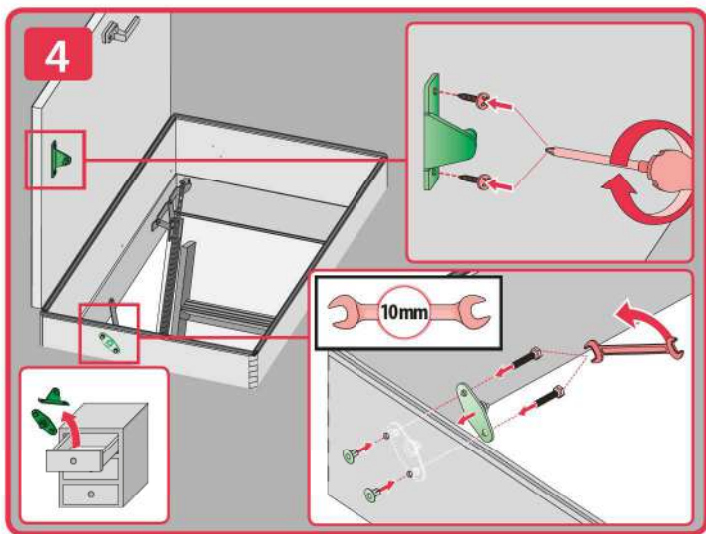
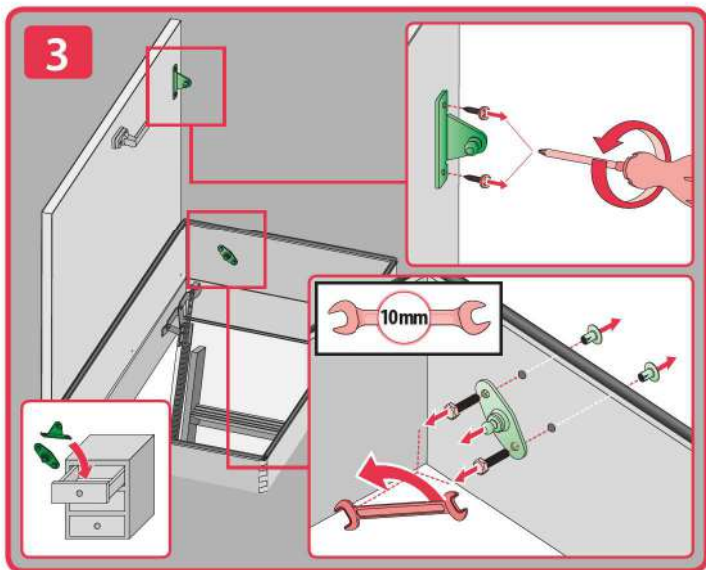


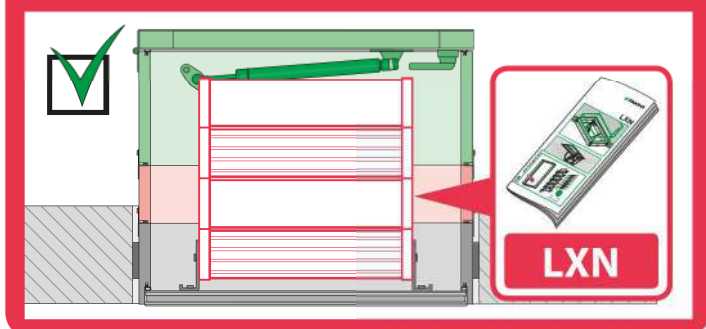
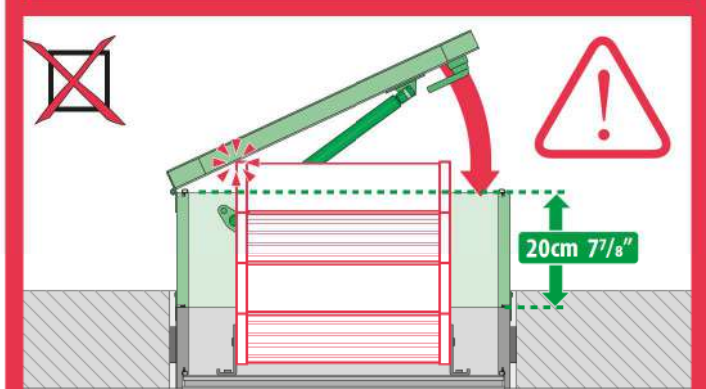
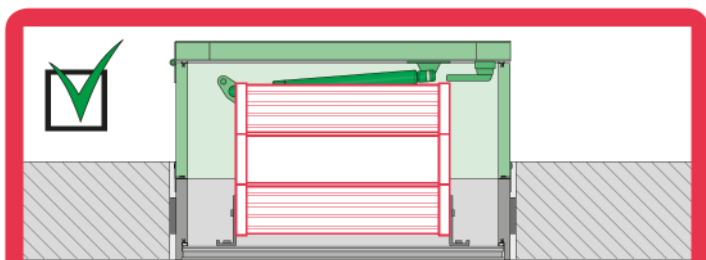
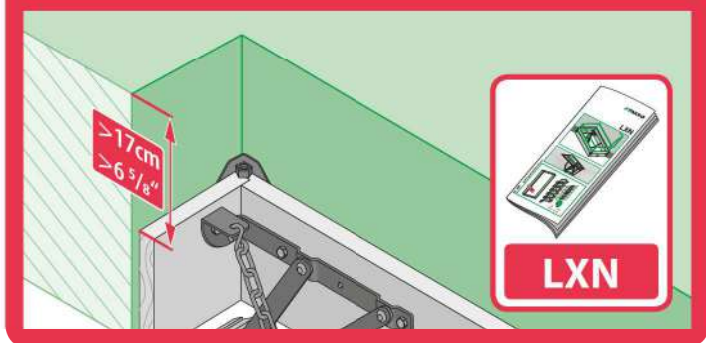
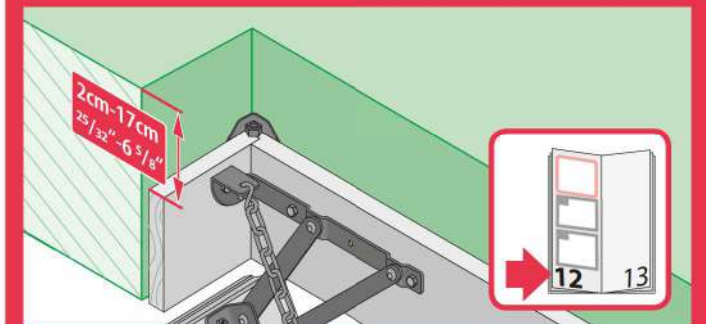
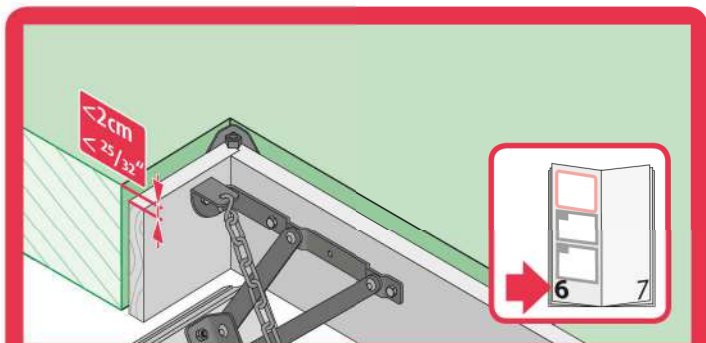
✚ PZ2

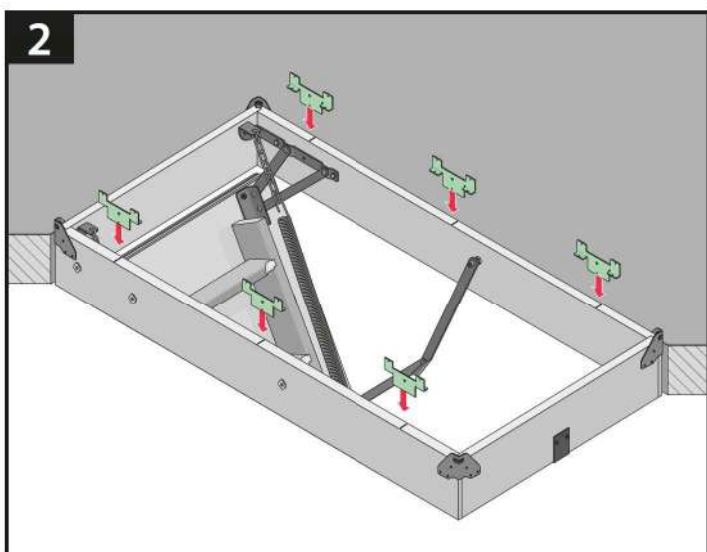
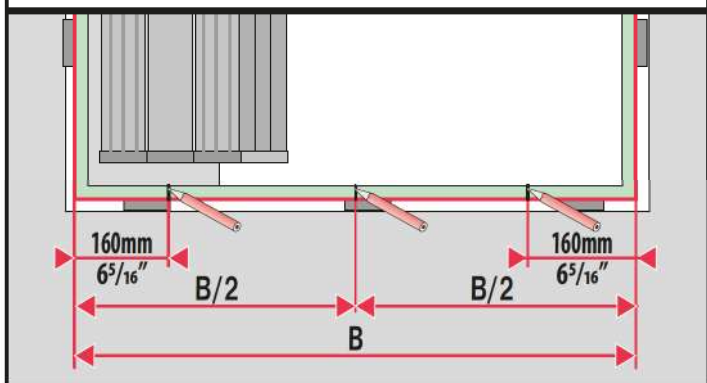
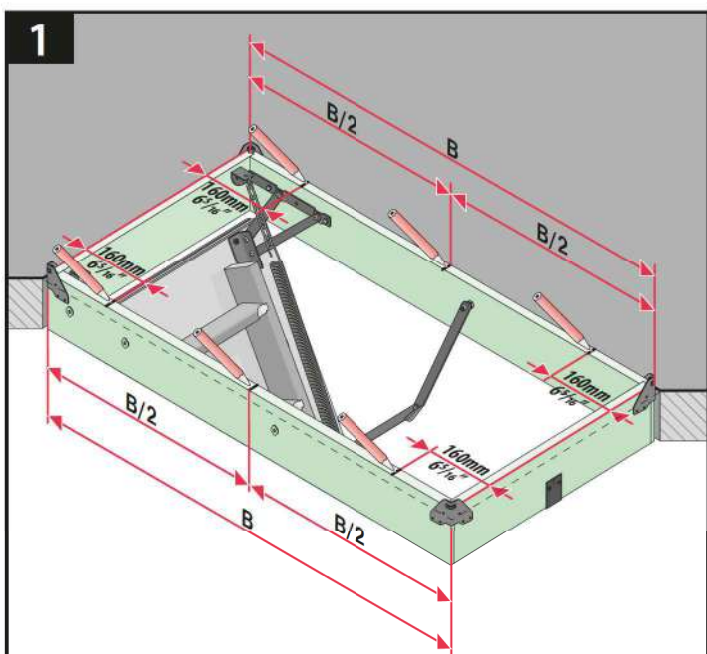
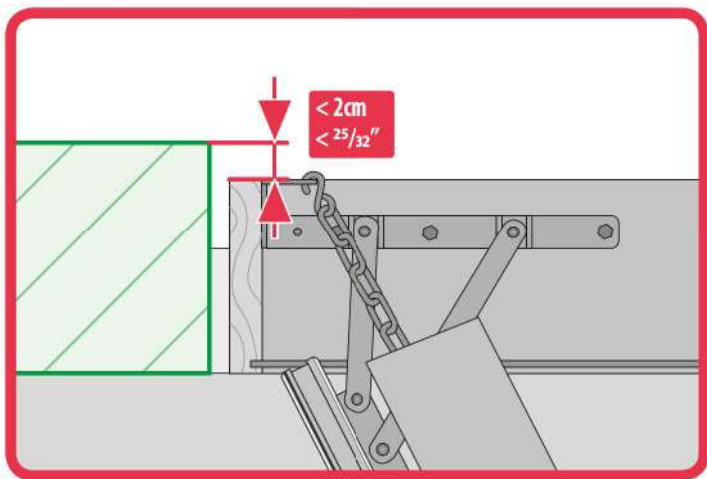
10mm

ø2,5 mm 3/32" x1





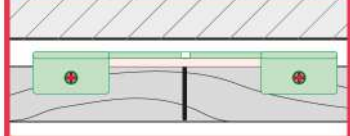
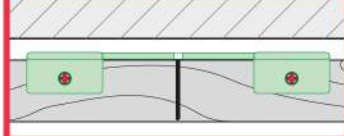
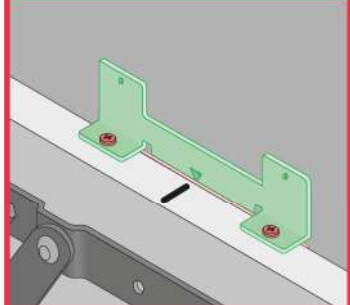
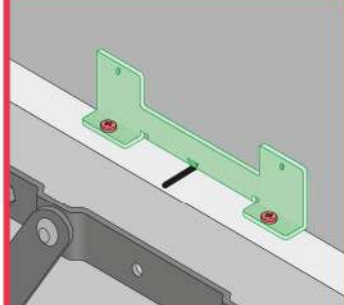
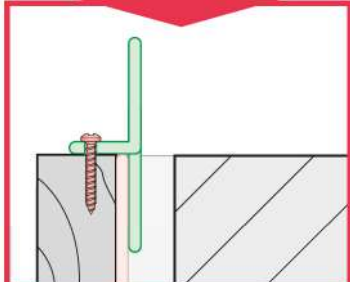
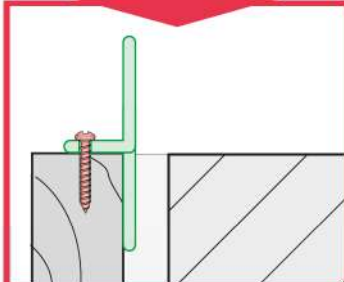
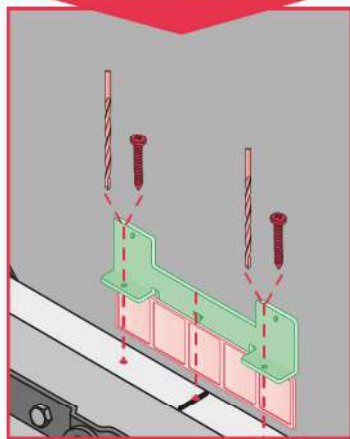
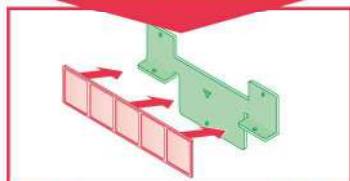
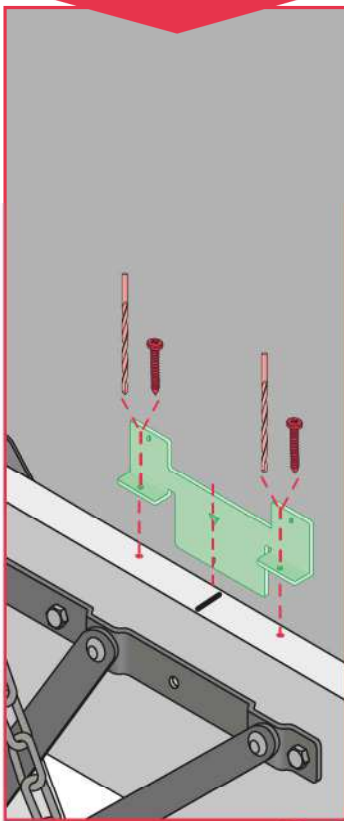
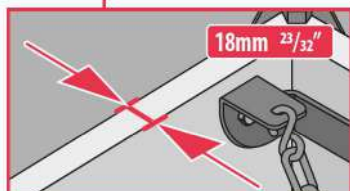
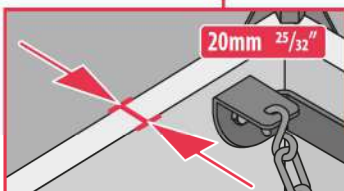
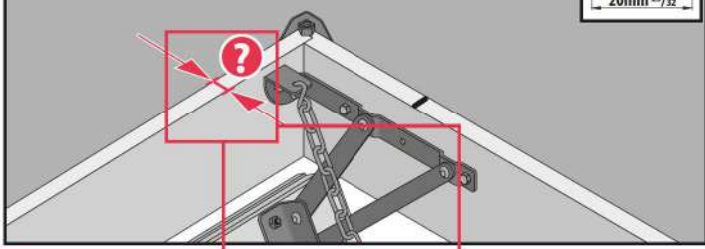




2a

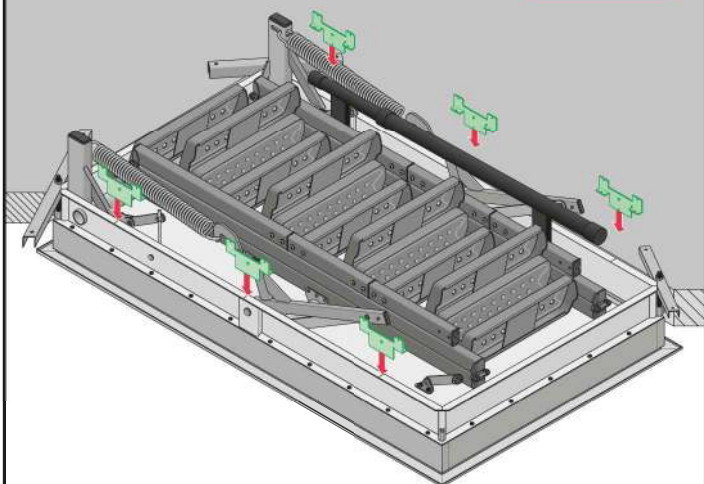
Ø2,5mm 3/32"

20mm 25/32"



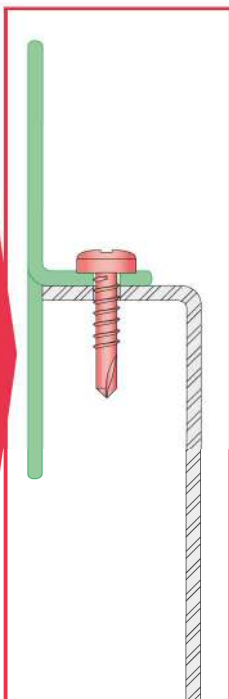
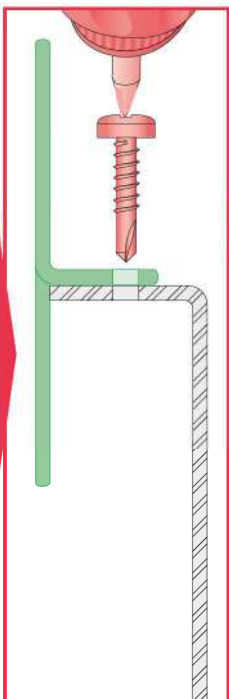
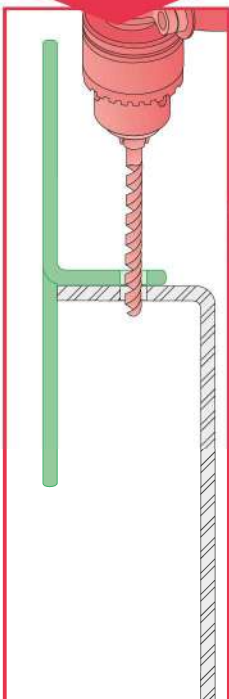
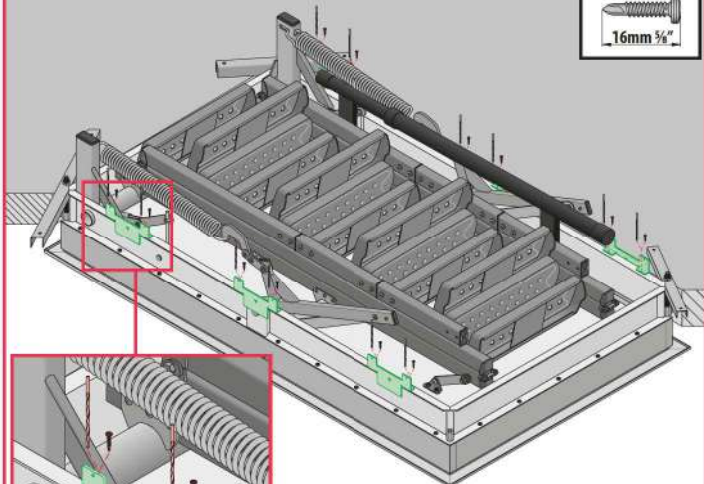
2b

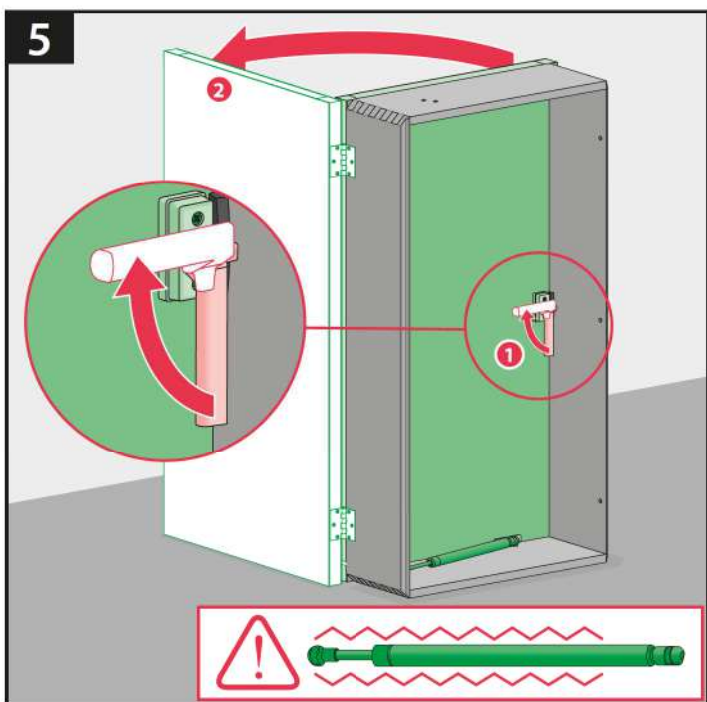
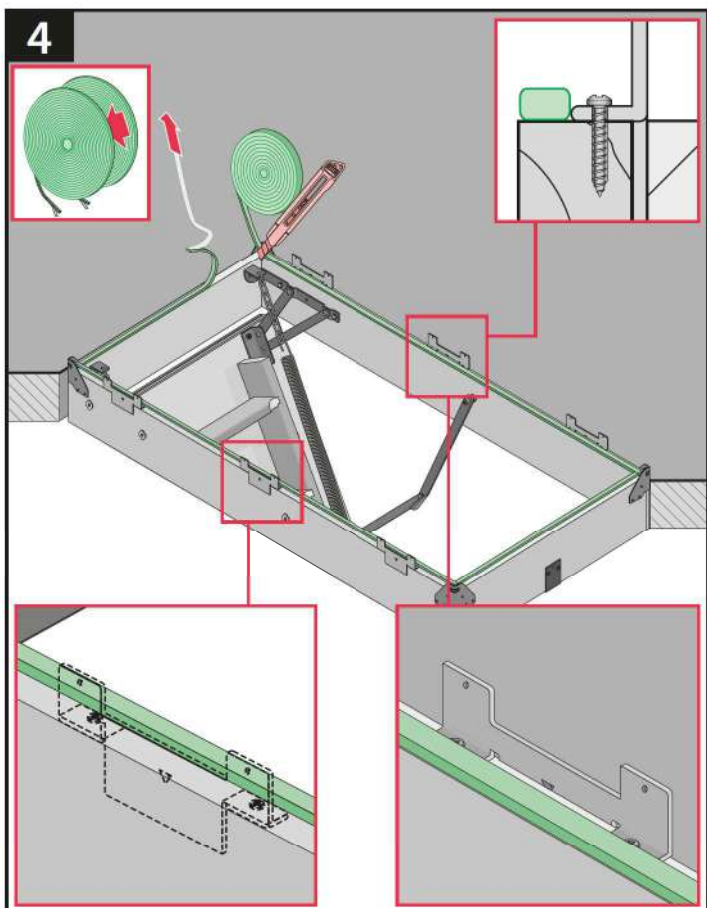
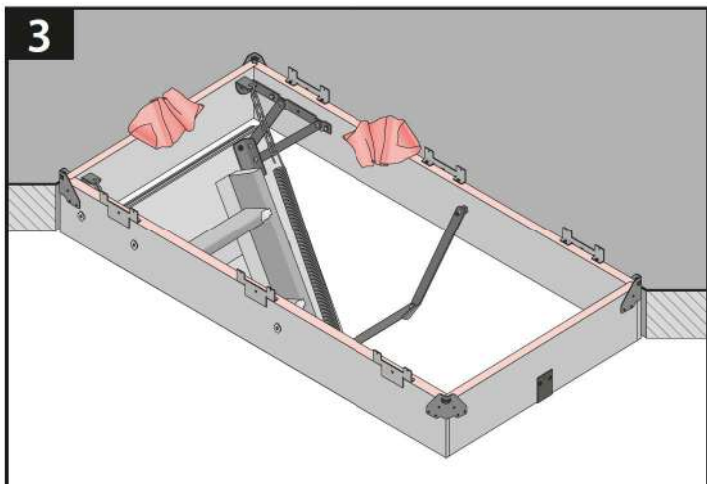
LMF



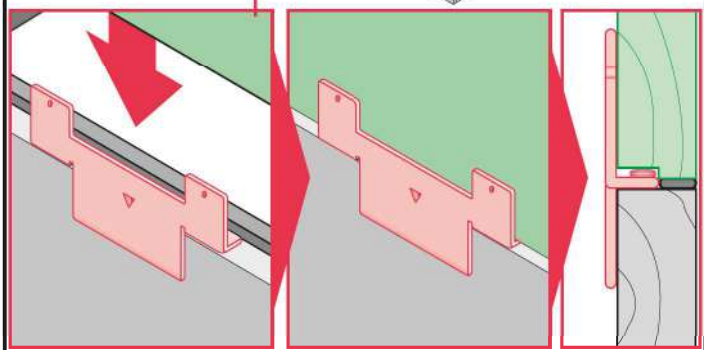
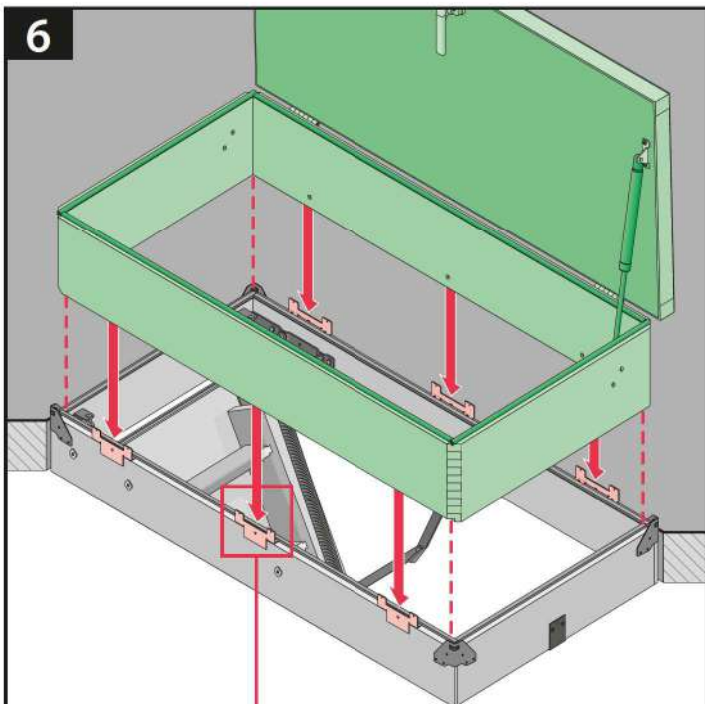
Ø2,5mm 3/32"

16mm 5/8"

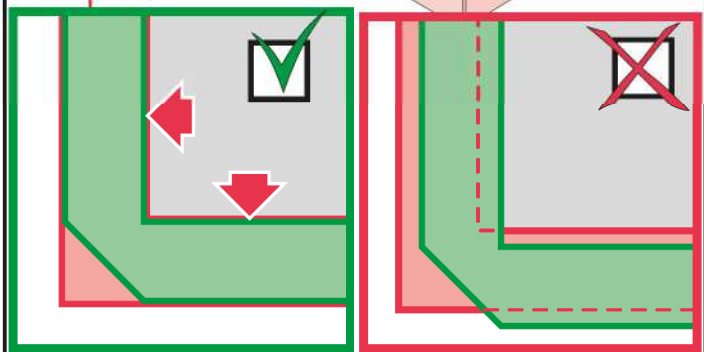
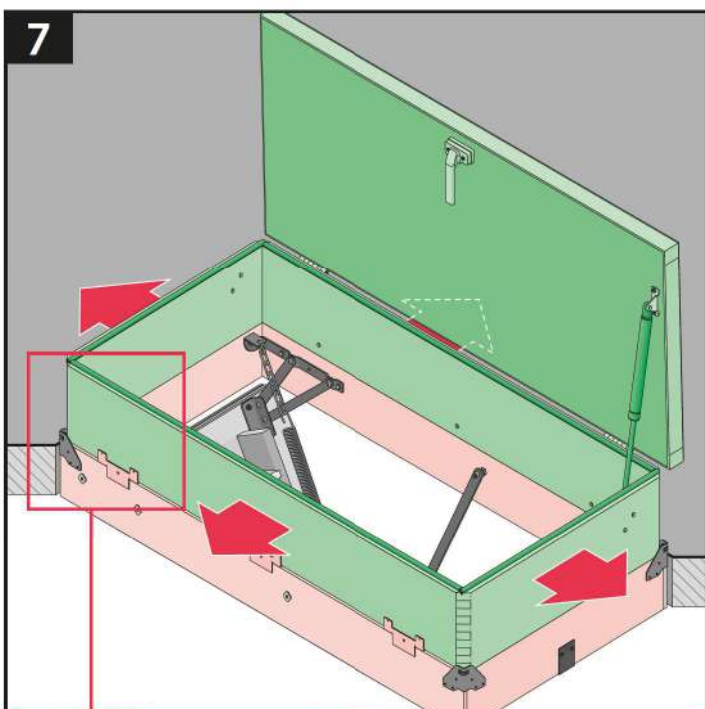


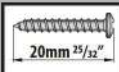
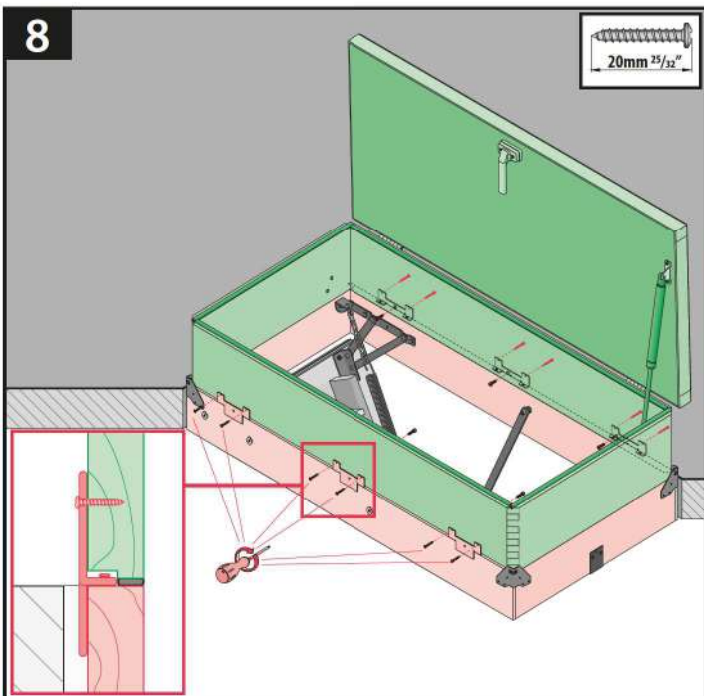
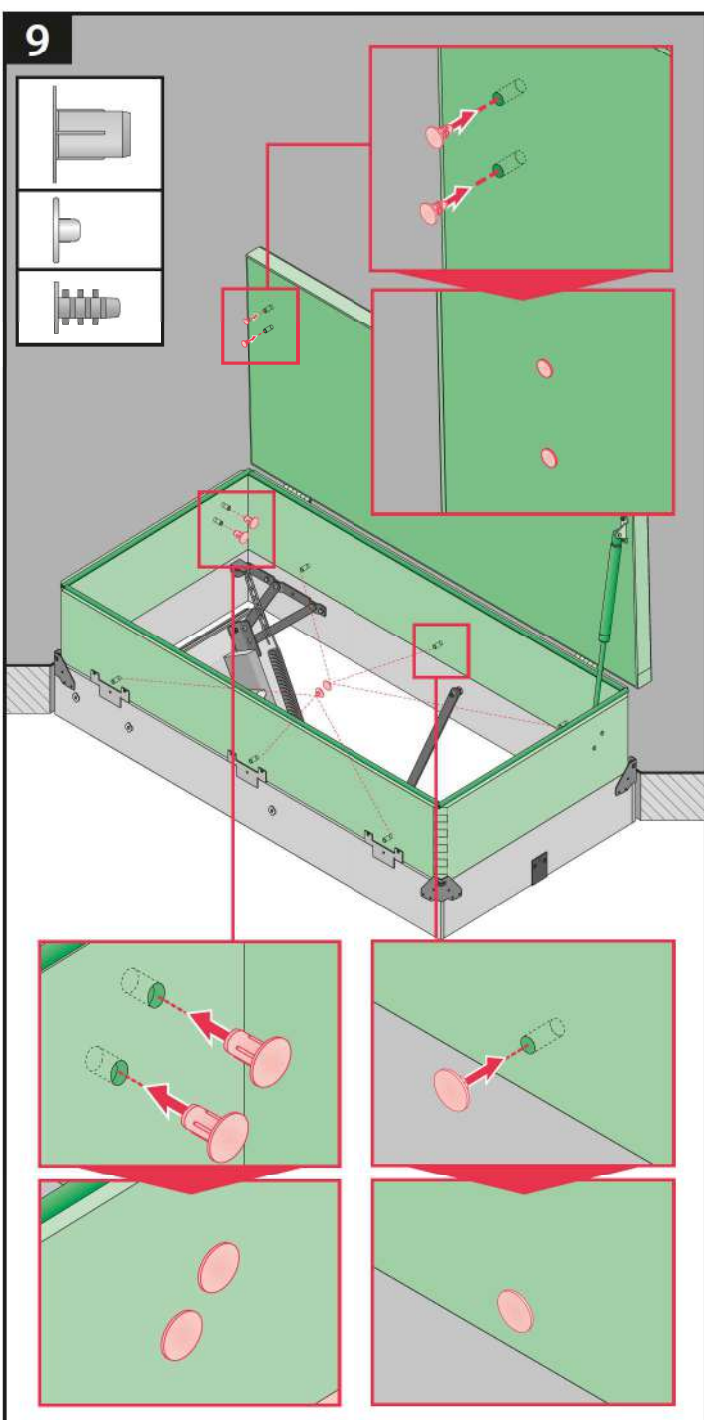


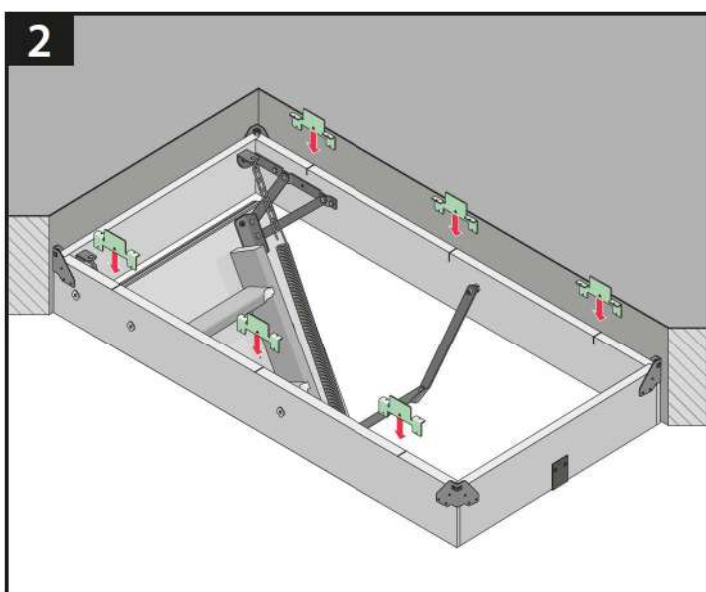
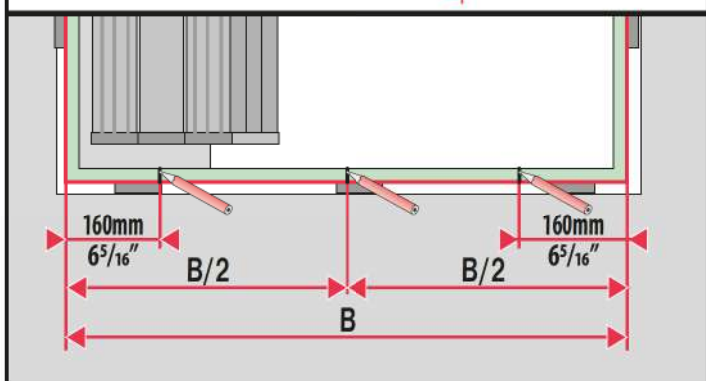
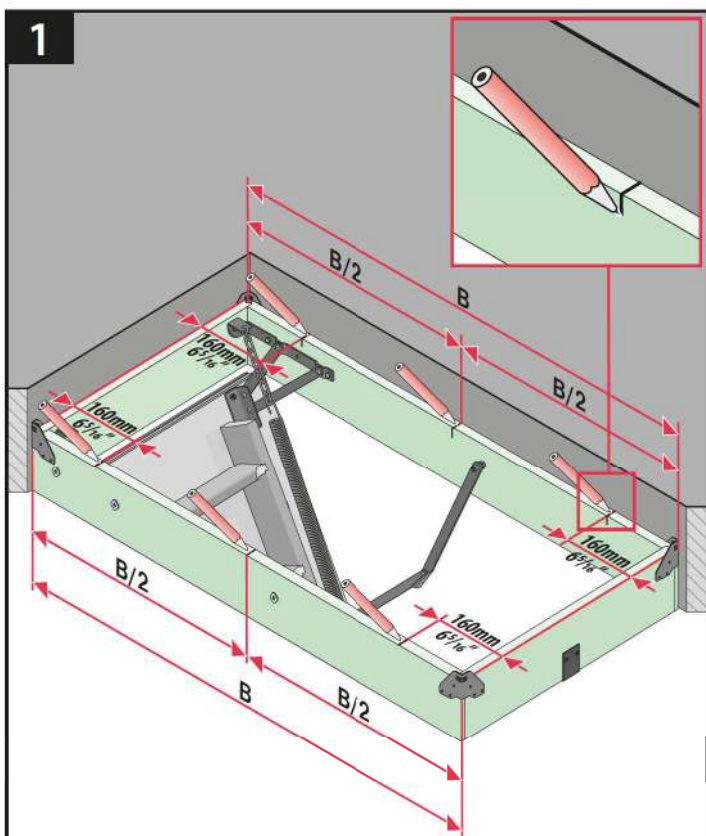
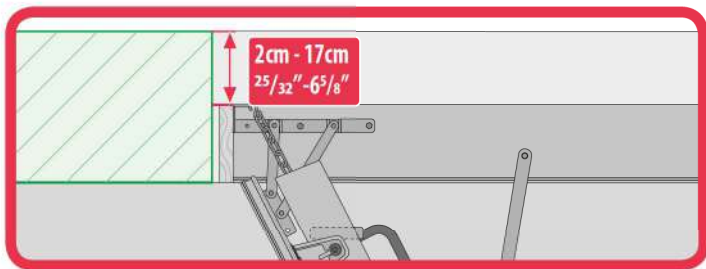
6



7



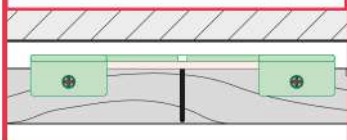
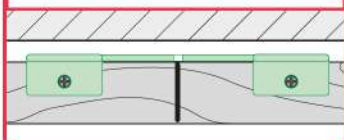
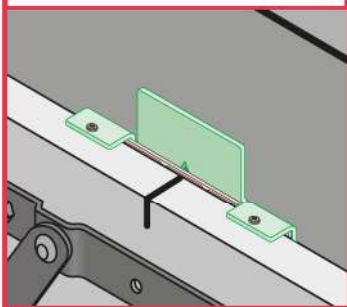
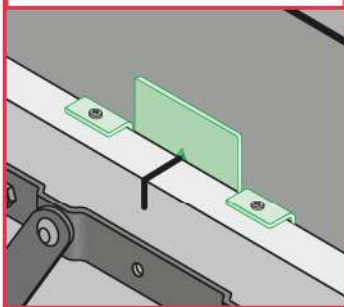
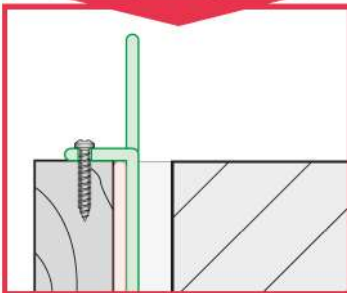
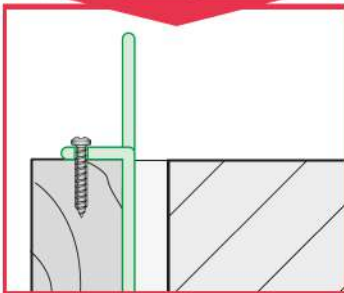
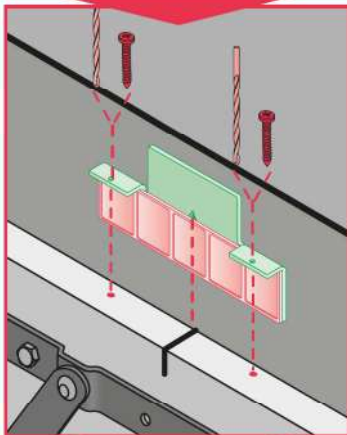
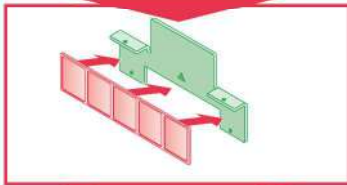
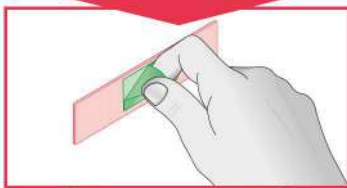
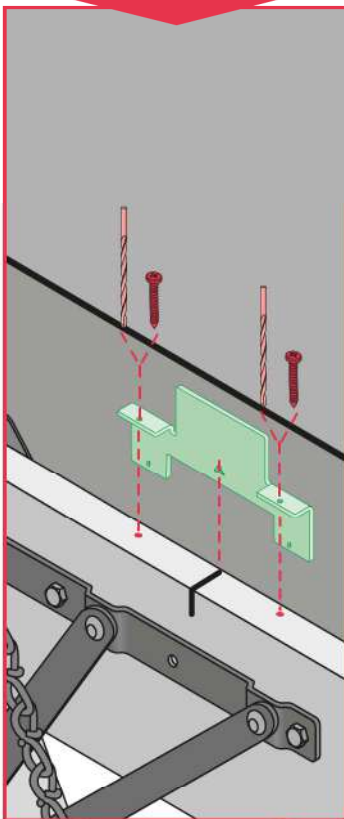
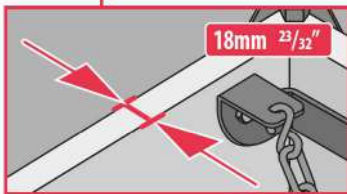
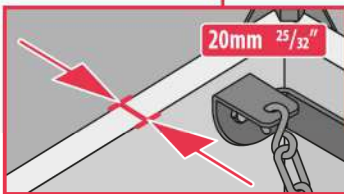
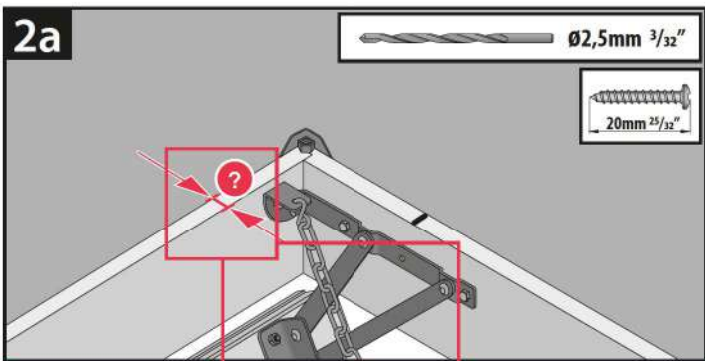
8
20mm 25/32"**9**



2a

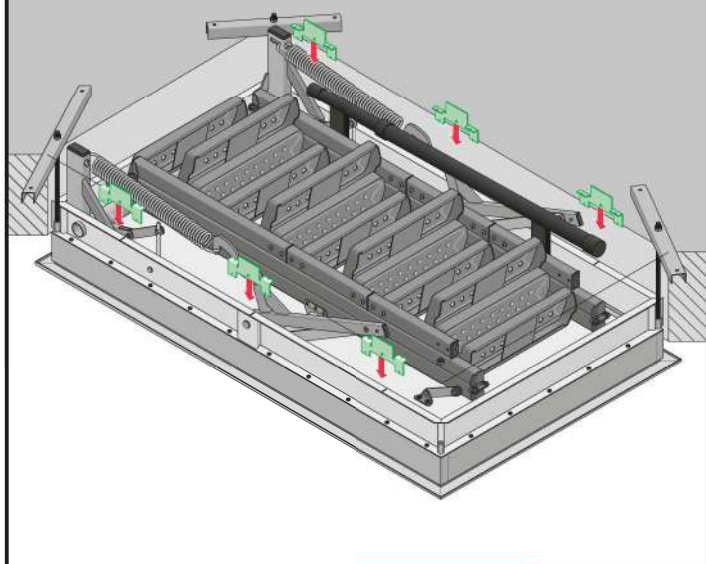
Ø2,5mm 3/32"

20mm 25/32"



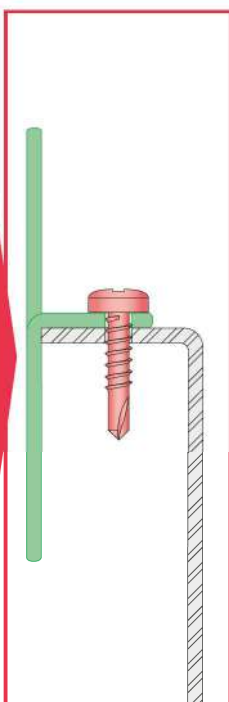
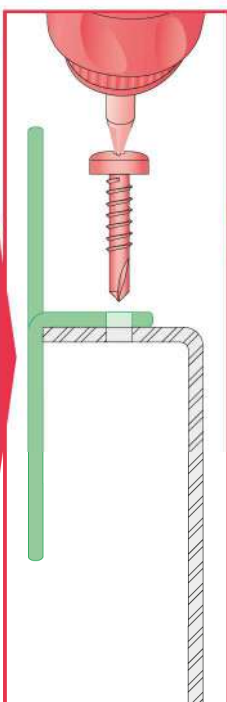
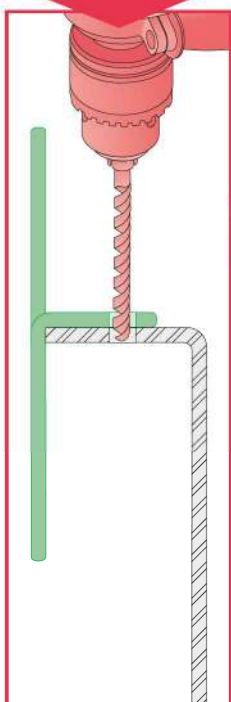
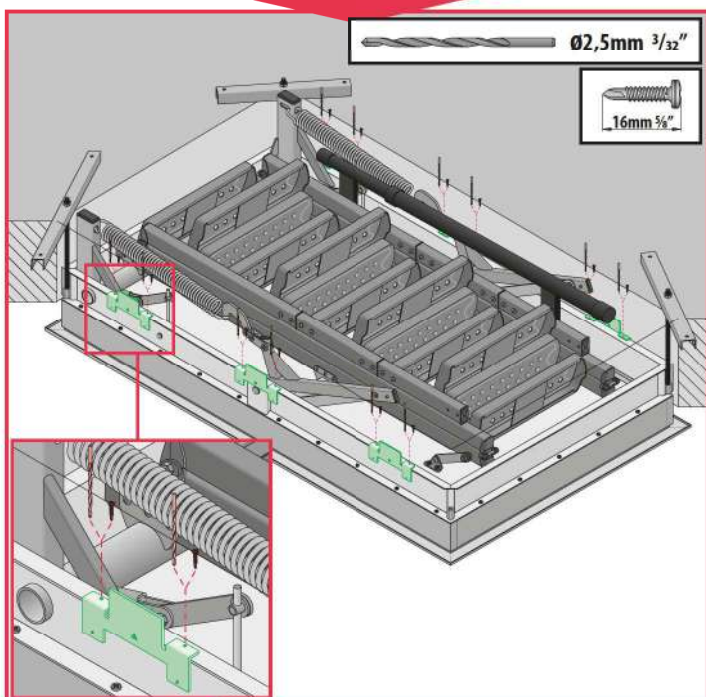
2b

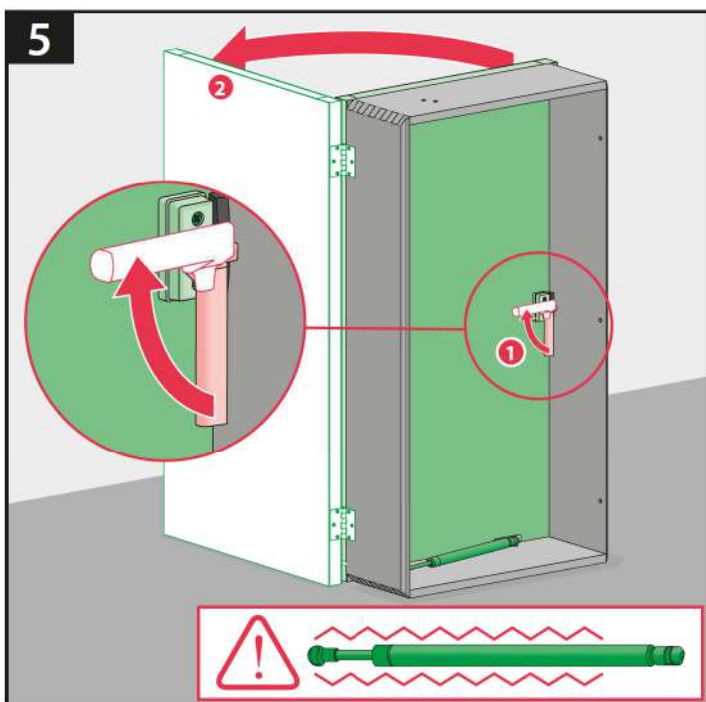
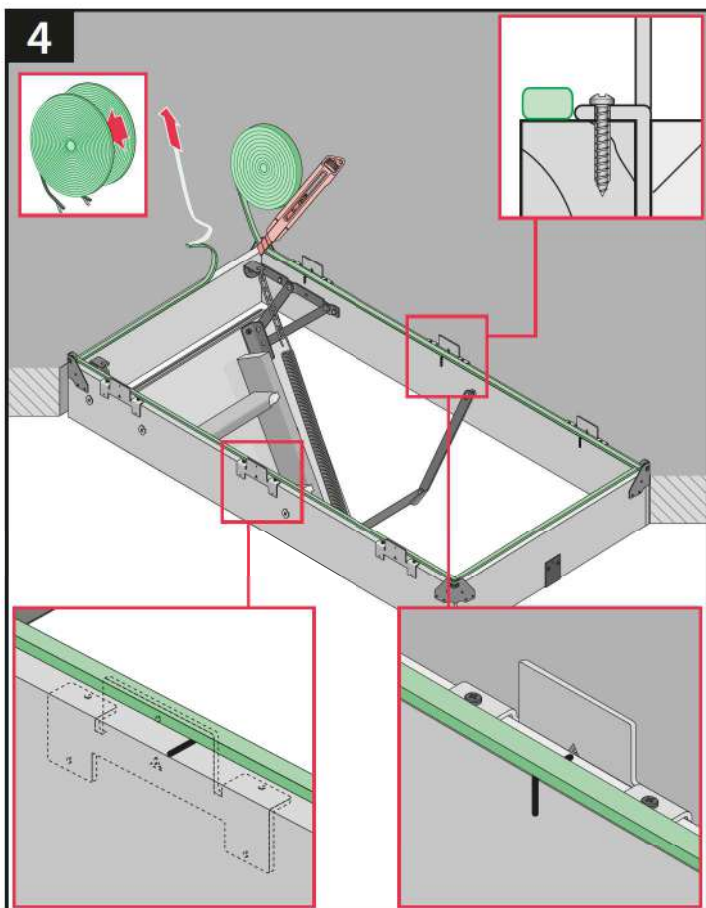
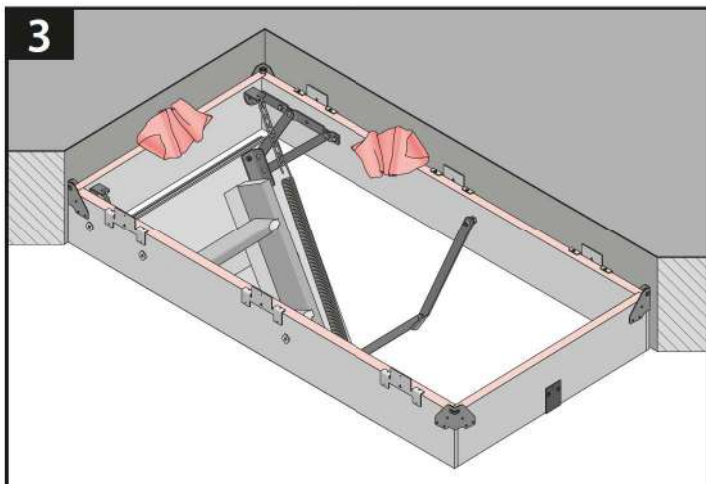
LMF



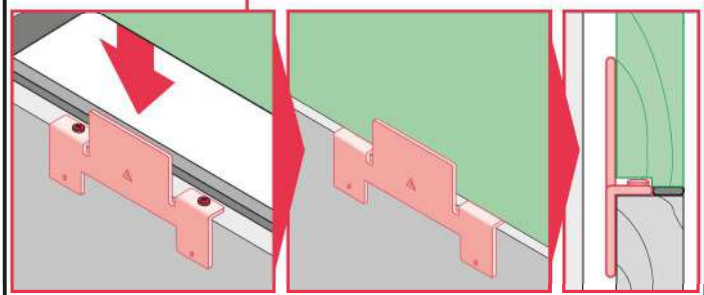
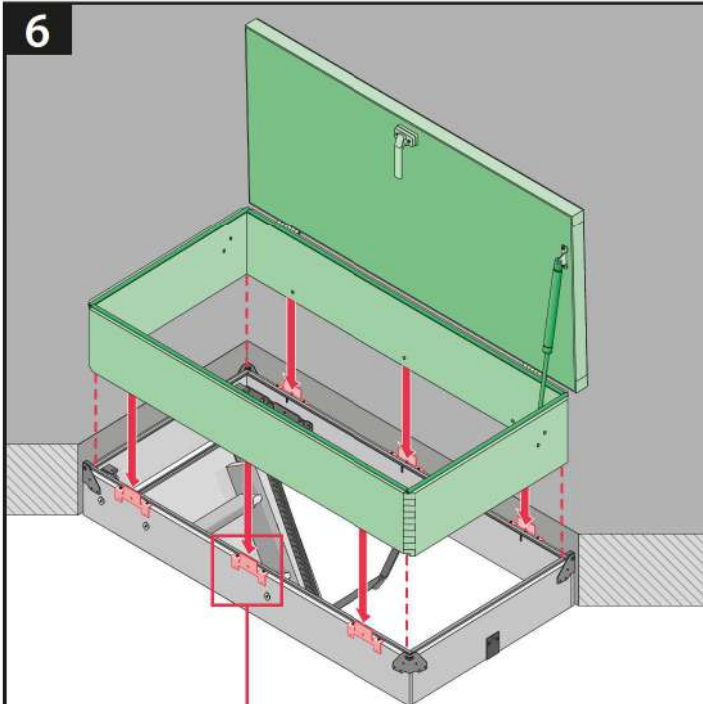
Ø2,5mm 3/32"

16mm 5/8"

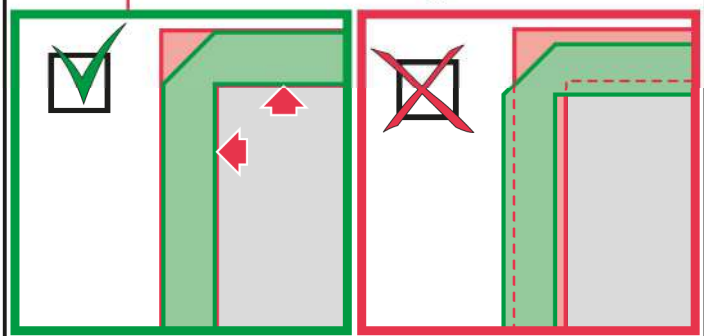
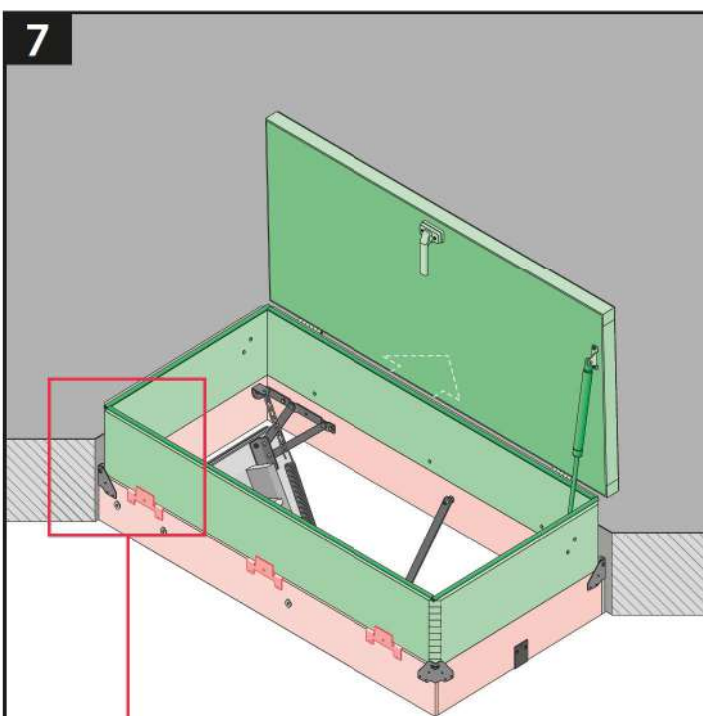




6



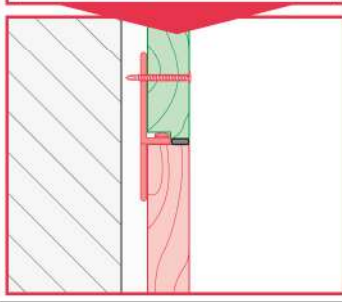
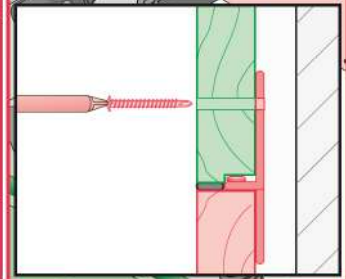
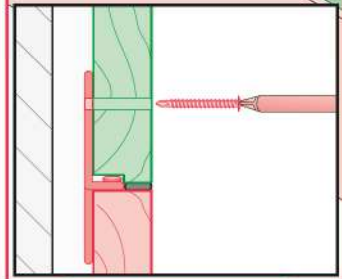
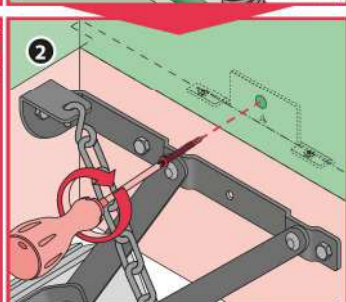
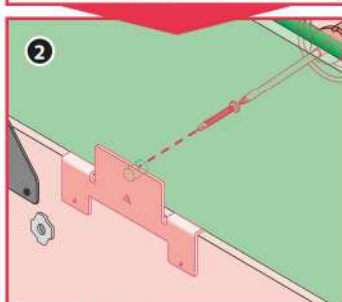
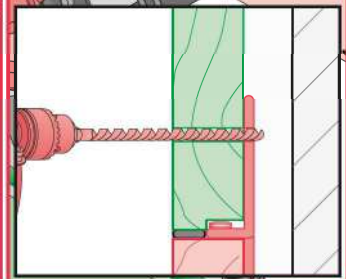
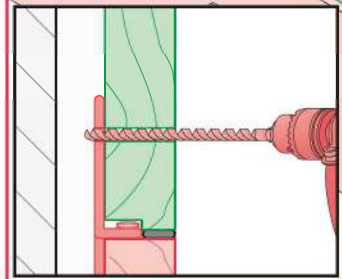
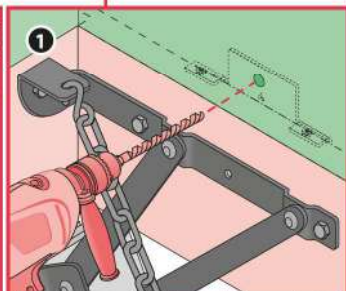
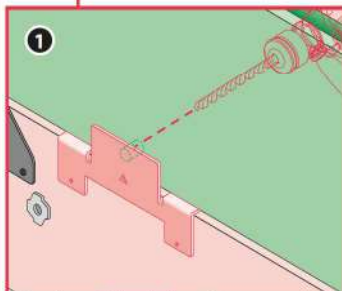
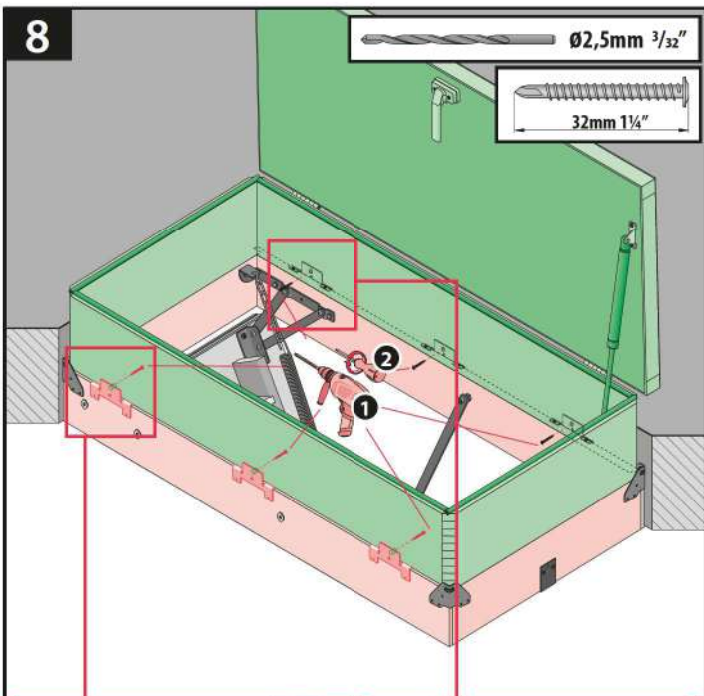
7



8

Ø2,5mm 3/32"

32mm 1 1/4"



9

