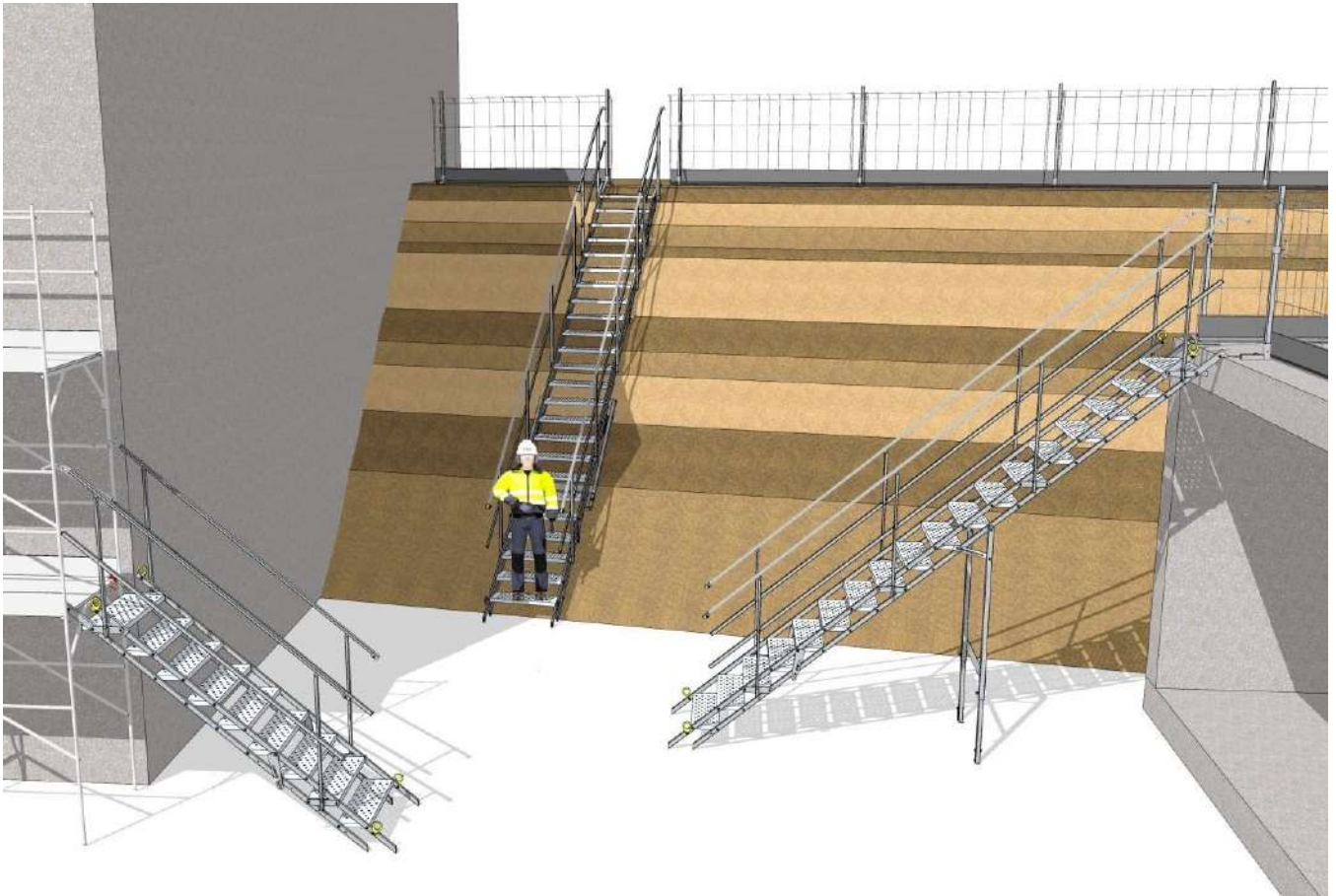


## Steel stairways



## Table of contents

3	General information
4	Stairway 3 steps
5	Stairway 6 steps
6	Stairway 9 steps
7	Stairway 12 steps
8	Stairway 15 steps
9	Stairway 18 steps
10	Range of application
11-13	Assembly of the stairway
14-15	Installation of the stairway support (Stairway 15-18 steps)
16	Preventive maintenance
17	Assembly of 2 stairways
19-21	Stairway components

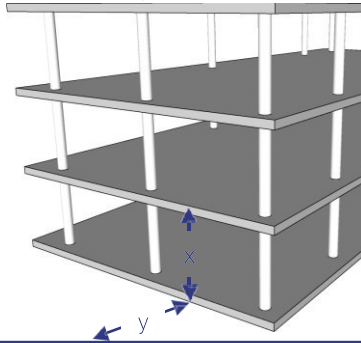


# General Information

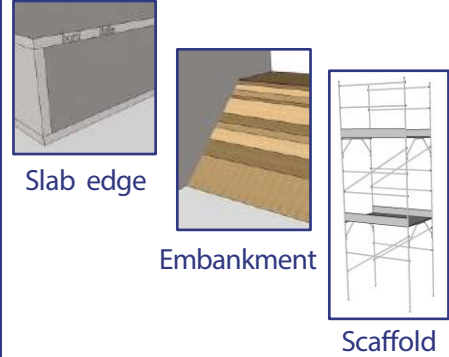
The installation of the stairway must be done safely.



Take the dimensions X and Y to choose the correct stairway according to the Range of application page 10.

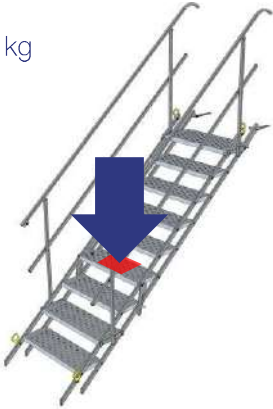


Identify the support to determine the type of dowel or anchor.



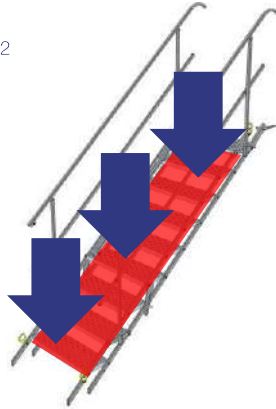
Point load

Max. 150 kg



Distributed load

! 100kg/m<sup>2</sup>



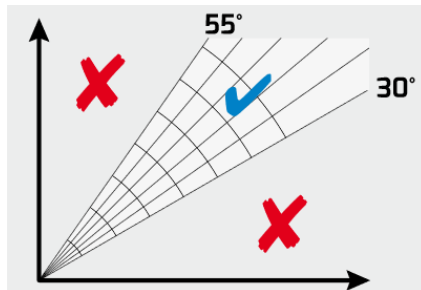
Remove the dirt and snow before any installation



Verify the stairway before installing

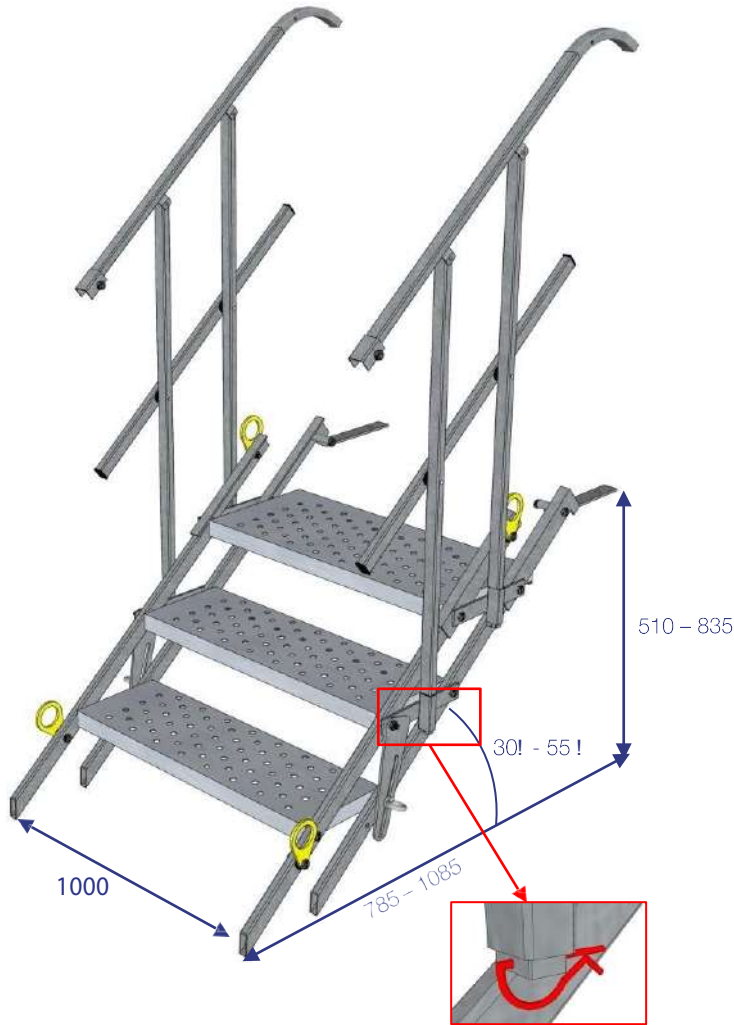


Min. 30!'"- max. 55!



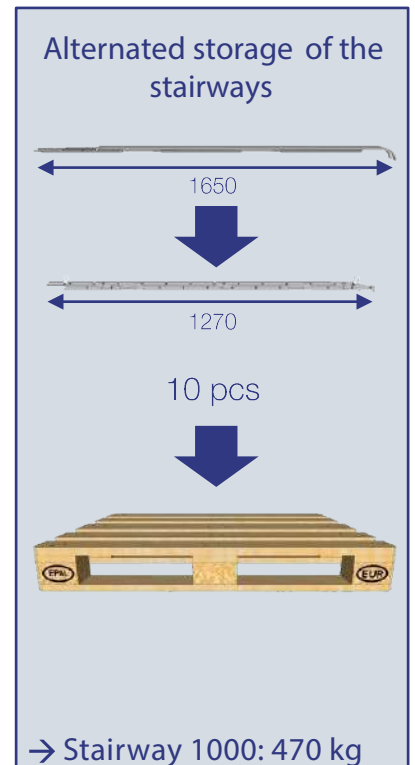
COMPLY WITH  
EN 12811-1:2003

# Stairway 3 steps Hot-dip galvanised steel



Stairway 1000 mm  
Code: 5061003  
45 kg

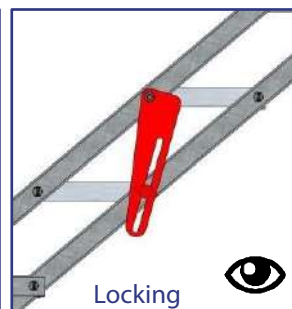
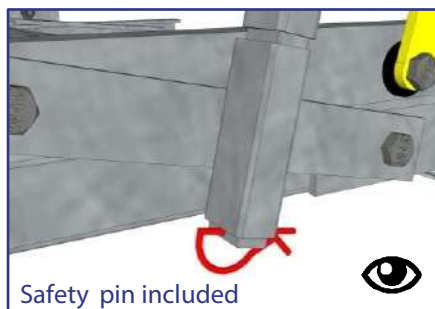
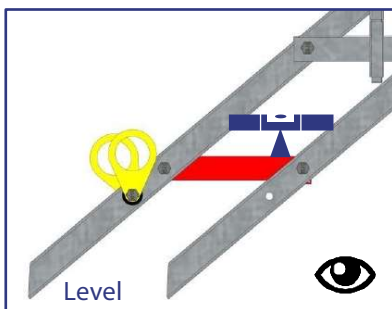
EN 12811\_1:2003  
Max. point load: 150 kg  
Max. distributed load: 100 kg/m<sup>2</sup>



## Components

5161012	Single step stairway 1000	2 pcs	5161004	Guard rail attachment	4 pcs
5161013	Landing step stairway 1000	1 pc	5161003	Locking device	2 pcs
5161031	Lateral stringboard stairway 3 steps	1 set (4 pcs)	5161002	Lifting ring	4 pcs
5151038	Guard rail stairway 3 steps	2 pcs	5161001	Slab attachment	2 pcs

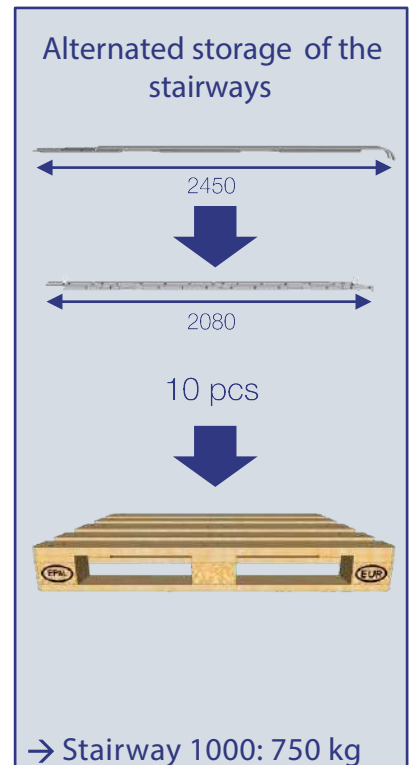
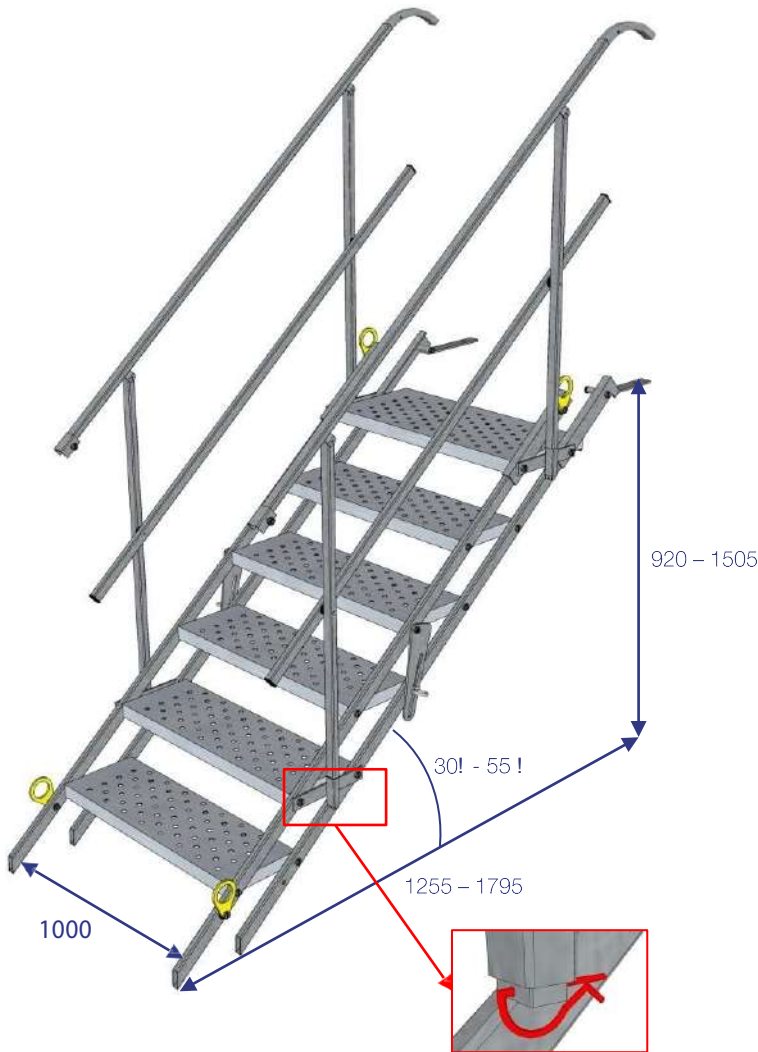
[mm]



# Stairway 6 steps Hot-dip galvanised steel

Stairway 1000 mm  
Code: 5061006  
73 kg

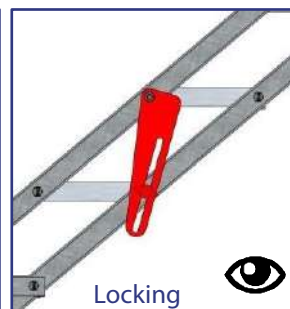
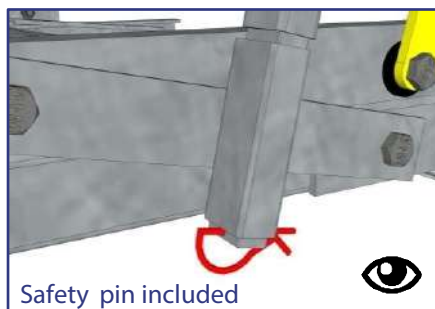
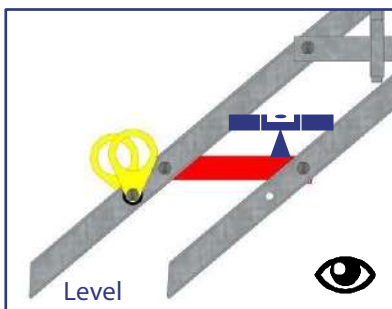
EN 12811\_1:2003  
Max. point load: 150 kg  
Max. distributed load: 100 kg/m<sup>2</sup>



## Components

5161012	Single step stairway 1000	5 pcs	5161004	Guard rail attachment	4 pcs
5161013	Landing step stairway 1000	1 pc	5161003	Locking device	2 pcs
5161061	Lateral stringboard stairway 6 steps	1 set (4 pcs)	5161002	Lifting ring	4 pcs
5151068	Guard rail stairway 6 steps	2 pcs	5161001	Slab attachment	2 pcs

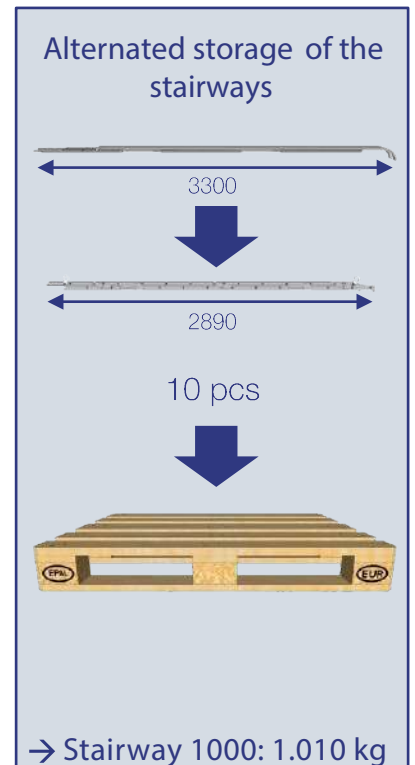
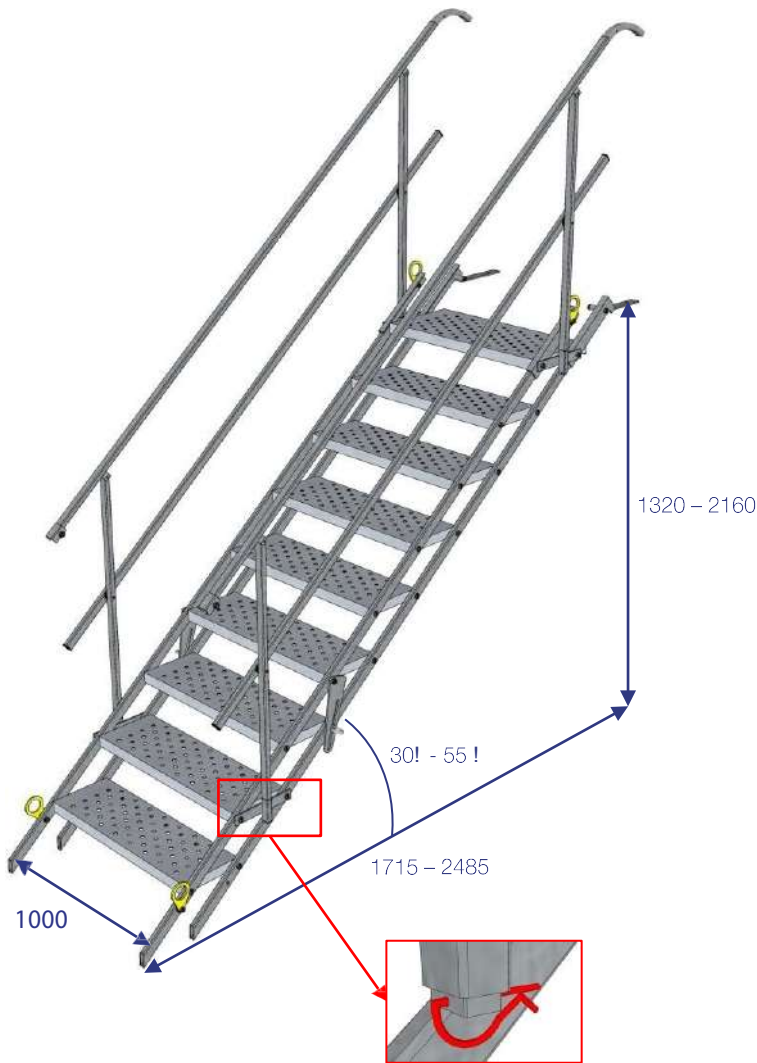
[mm]



# Stairway 9 steps Hot-dip galvanised steel

Stairway 1000 mm  
Code: 5061009  
99 kg

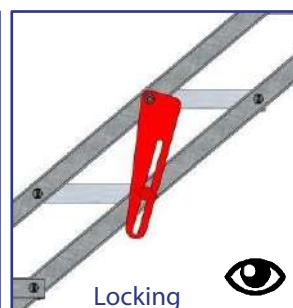
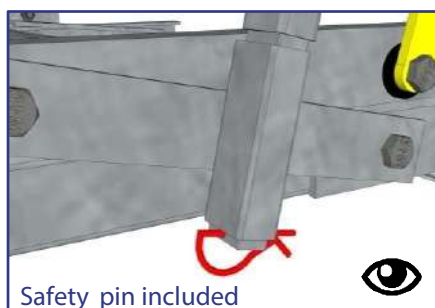
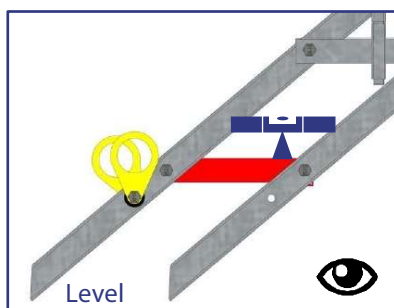
EN 12811\_1:2003  
Max. point load: 150 kg  
Max. distributed load: 100 kg/m<sup>2</sup>



[mm]

## Components

5161012	Single step stairway 1000	8 pcs	5161004	Guard rail attachment	4 pcs
5161013	Landing step stairway 1000	1 pc	5161003	Locking device	2 pcs
5161091	Lateral stringboard stairway 9 steps	1 set (4 pcs)	5161002	Lifting ring	4 pcs
5151098	Guard rail stairway 9 steps	2 pcs	5161001	Slab attachment	2 pcs

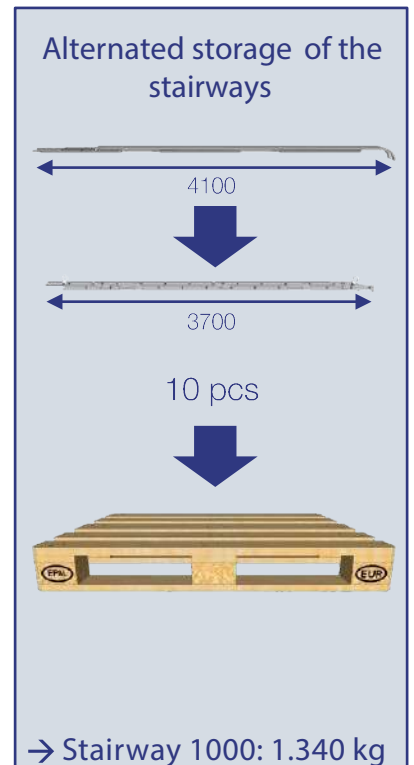
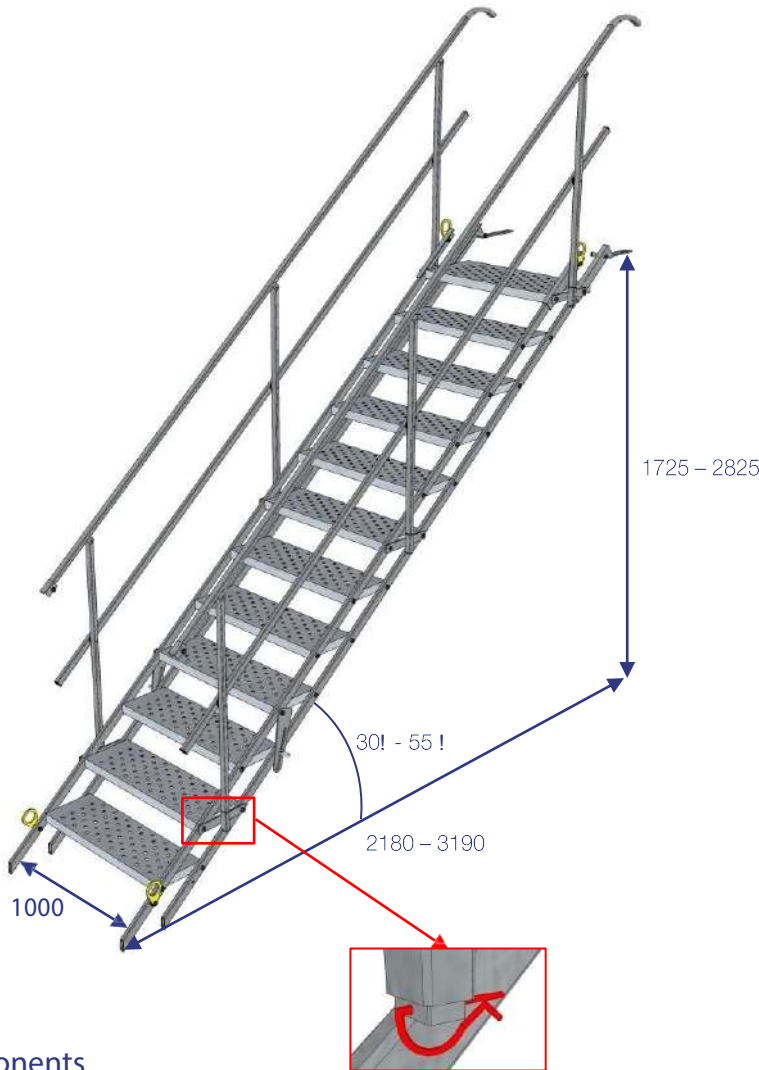


# Stairway 12 steps

Hot-dip galvanised steel

Stairway 1000 mm  
Code: 5061012  
132 kg

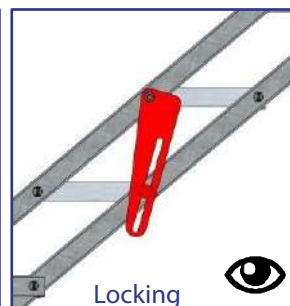
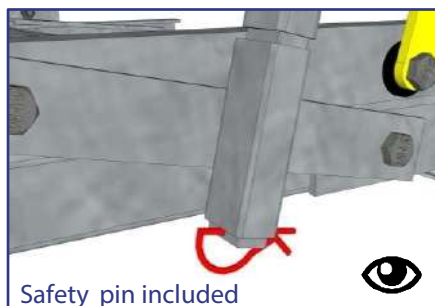
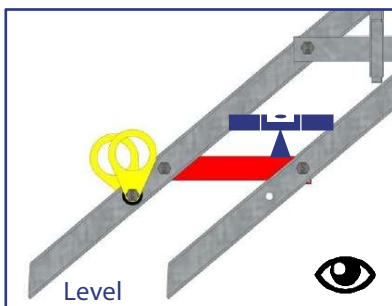
EN 12811\_1:2003  
Max. point load: 150 kg  
Max. distributed load: 100 kg/m<sup>2</sup>



## Components

5161012	Single step stairway 1000	11 pcs	5161004	Guard rail attachment	6 pcs
5161013	Landing step stairway 1000	1 pc	5161003	Locking device	4 pcs
5161121	Lateral stringboard stairway 12 steps	1 set (4 pcs)	5161002	Lifting ring	4 pcs
5151128	Guard rail stairway 12 steps	2 pcs	5161001	Slab attachment	2 pcs

[mm]

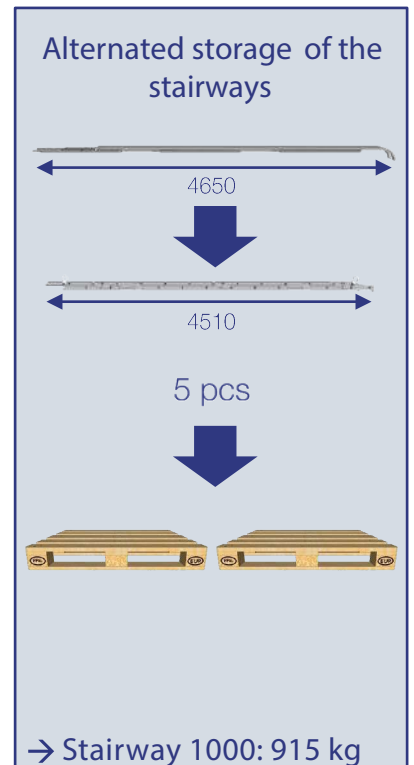
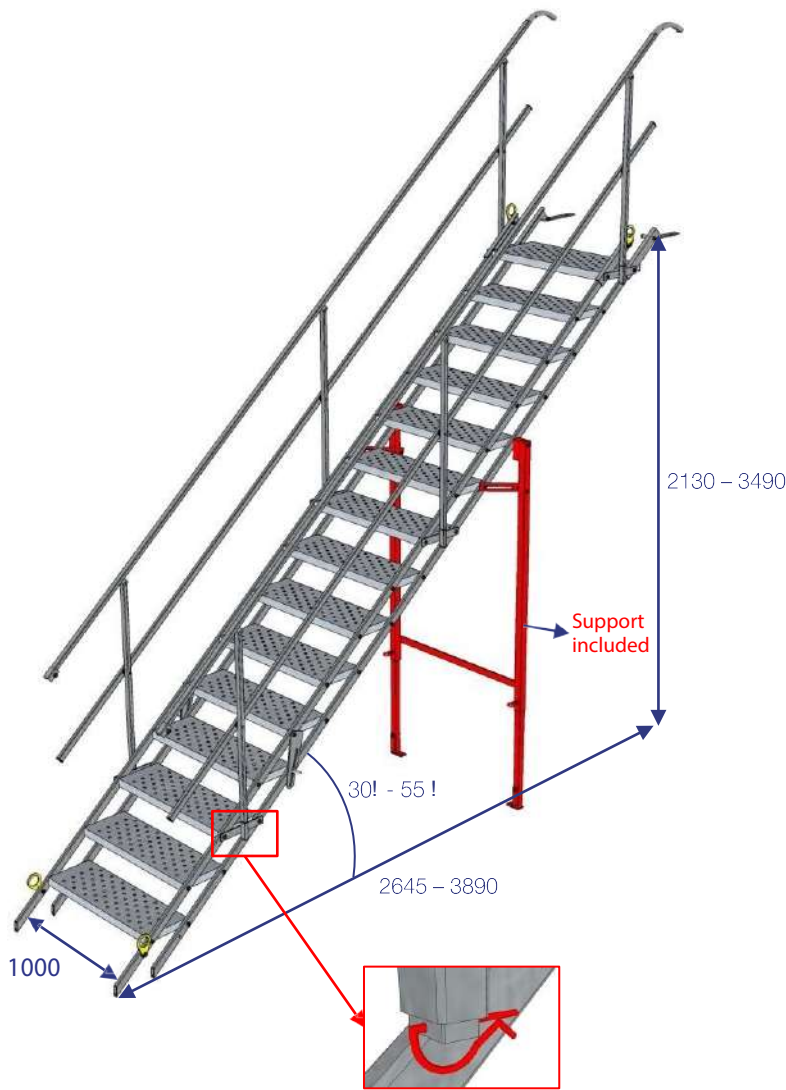


# Stairway 15 steps

Hot-dip galvanised steel

Stairway 1000 mm  
Code: 5061015  
175 kg

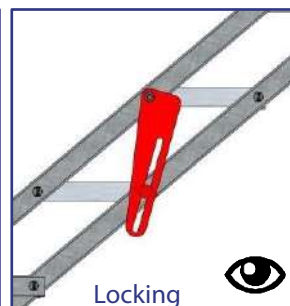
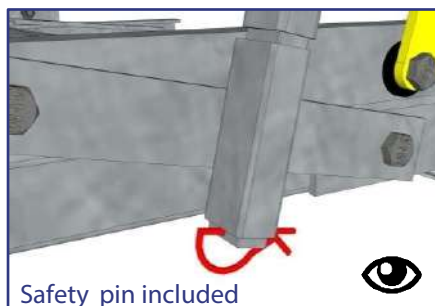
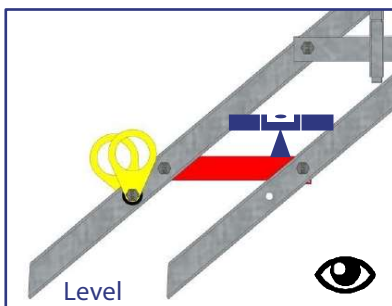
EN 12811\_1:2003  
Max. point load: 150 kg  
Max. distributed load: 100 kg/m<sup>2</sup>



## Components

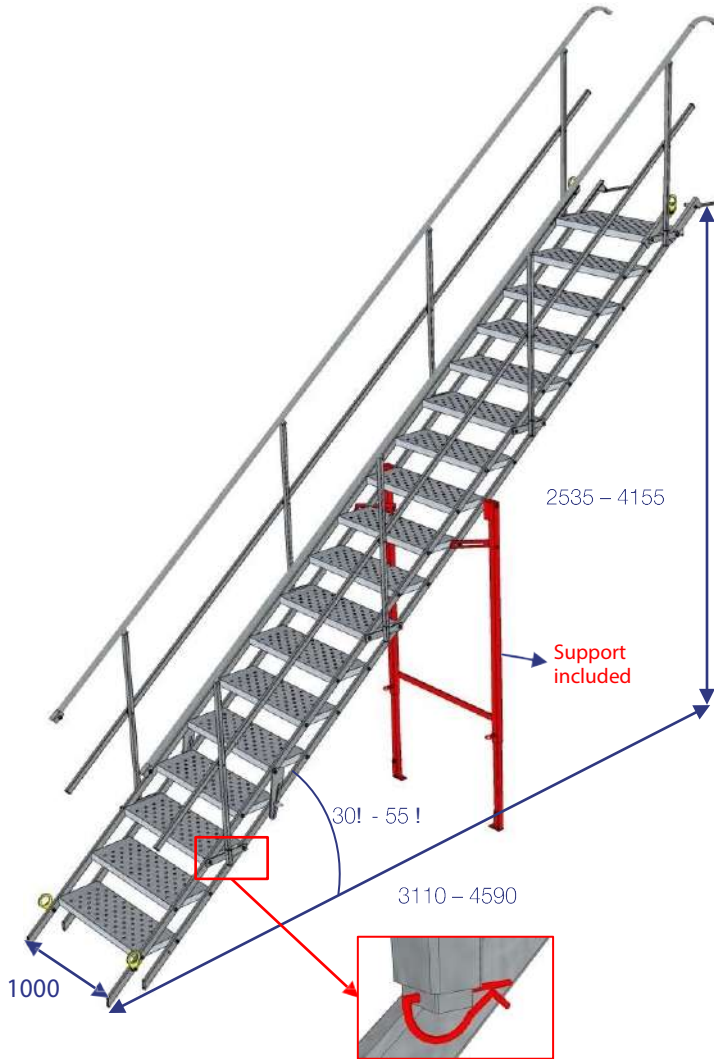
5161012	Single step stairway 1000	14 pcs	5161004	Guard rail attachment	6 pcs
5161013	Landing step stairway 1000	1 pc	5161003	Locking device	4 pcs
5161151	Lateral stringboard stairway 3 steps	1 set (4 pcs)	5161002	Lifting ring	4 pcs
			5161001	Slab attachment	2 pcs
5151158	Guard rail stairway 3 steps	2 pcs	5261005	Stairway support	1 pc

[mm]



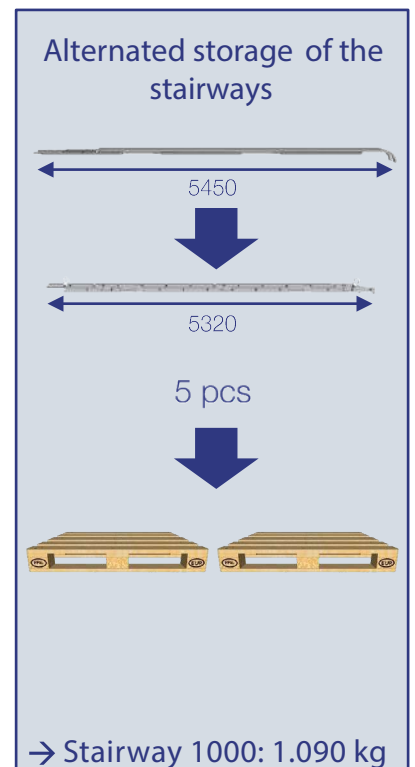
# Stairway 18 steps

Hot-dip galvanised steel



Stairway 1000 mm  
Code: 5061018  
210 kg

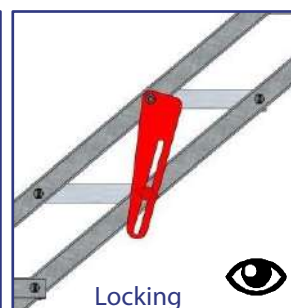
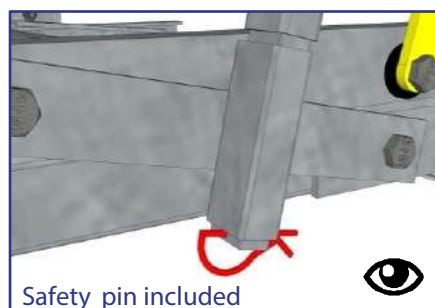
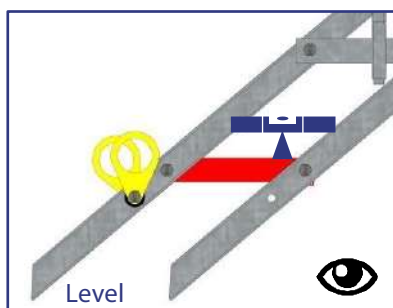
EN 12811\_1:2003  
Max. point load: 150 kg  
Max. distributed load: 100 kg/m<sup>2</sup>



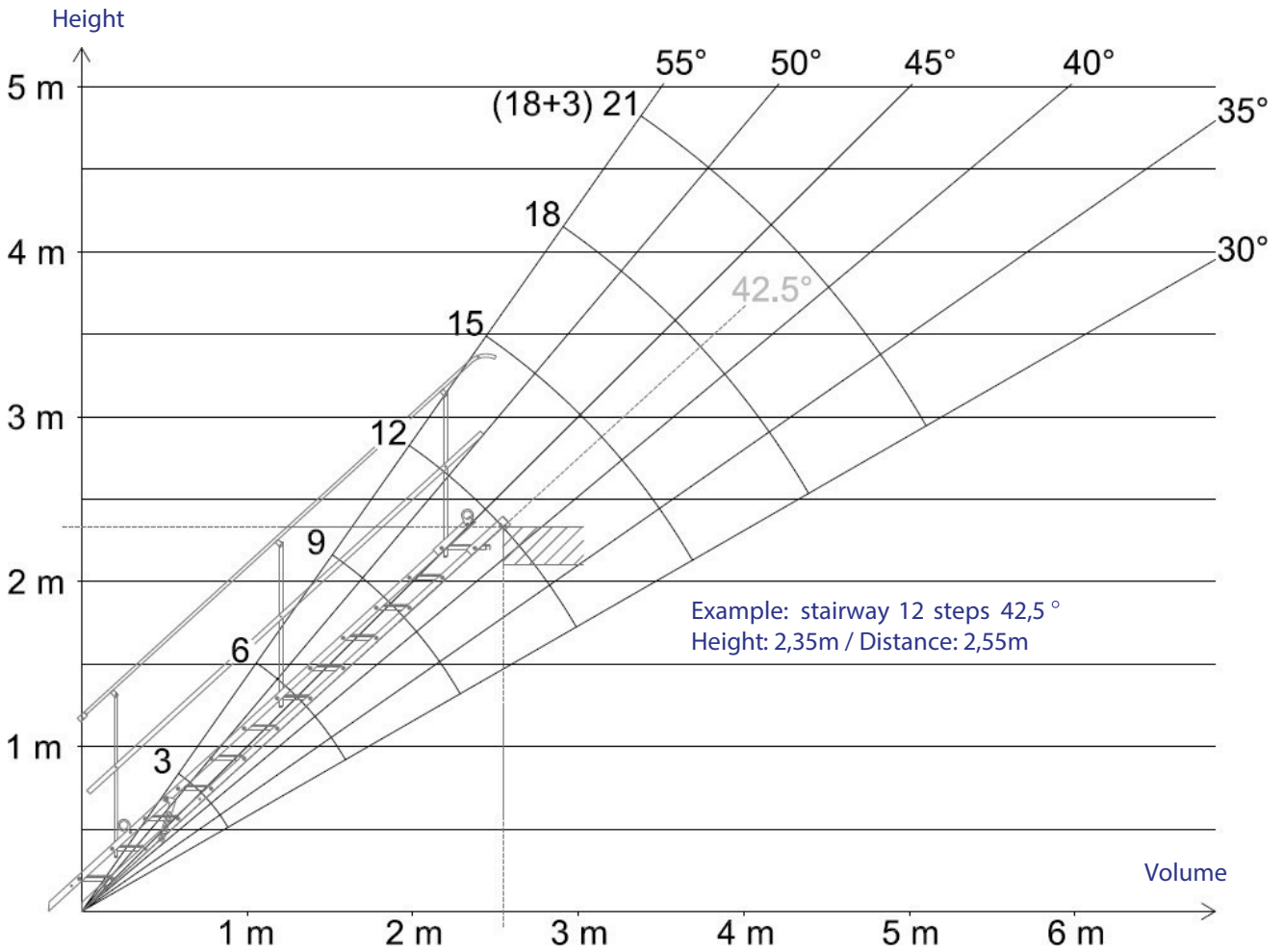
[mm]

## Components

5161012	Single step stairway 1000	14 pcs	5161004	Guard rail attachment	8 pcs
5161013	Landing step stairway 1000	1 pc	5161003	Locking device	4 pcs
5161181	Lateral stringboard stairway 3 steps	1 set (4 pcs)	5161002	Lifting ring	4 pcs
			5161001	Slab attachment	2 pcs
5151188	Guard rail stairway 3 steps	2 pcs	5061001 (5061005)	Stairway support	1 pc

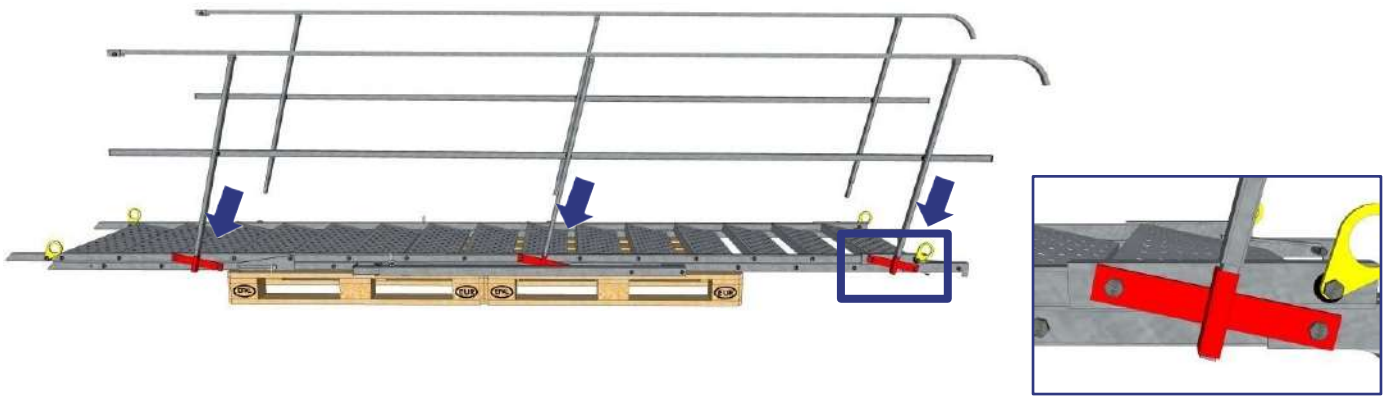


# Range of application



# Assembly of the stairway

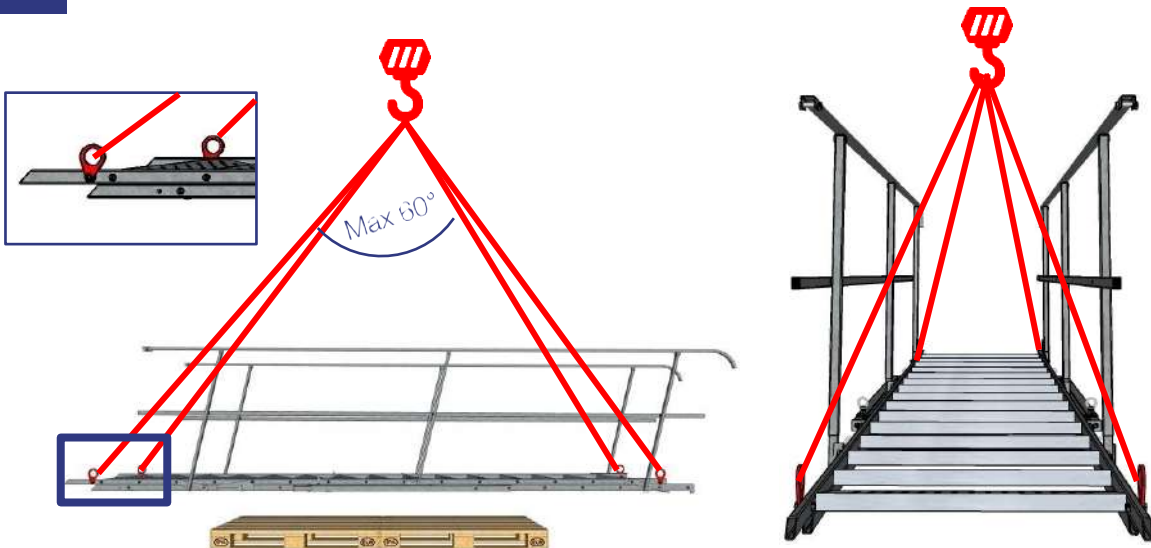
1 Plug the guard rails in.



2 Secure them with the guard rail safety pins.



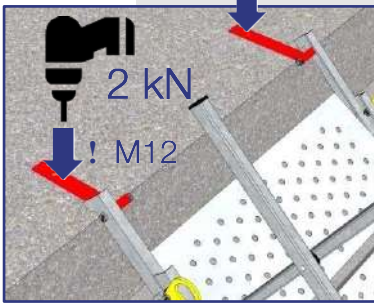
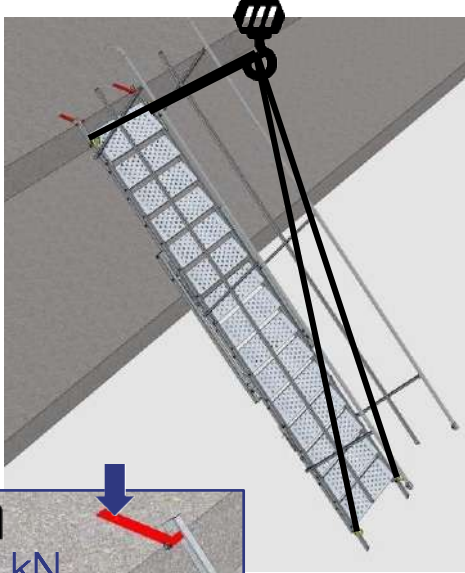
3 Lift the stairway using the rings.



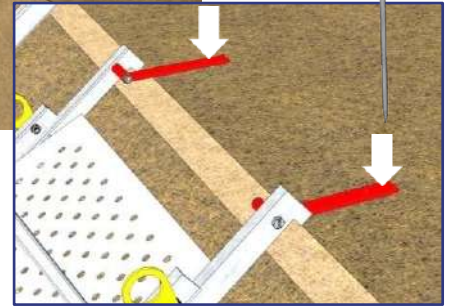
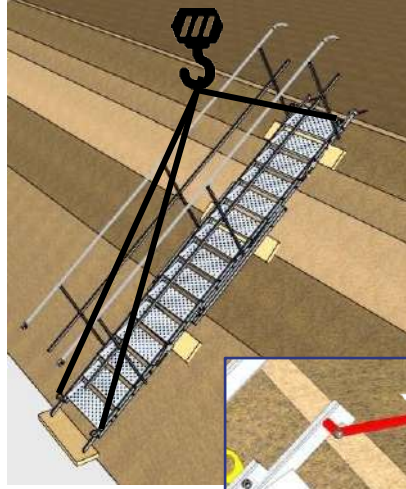
# Assembly of the stairway

## 4 Application

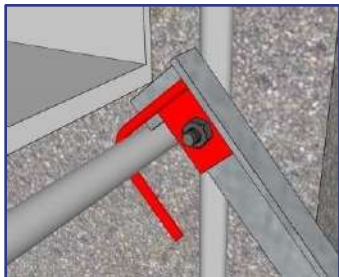
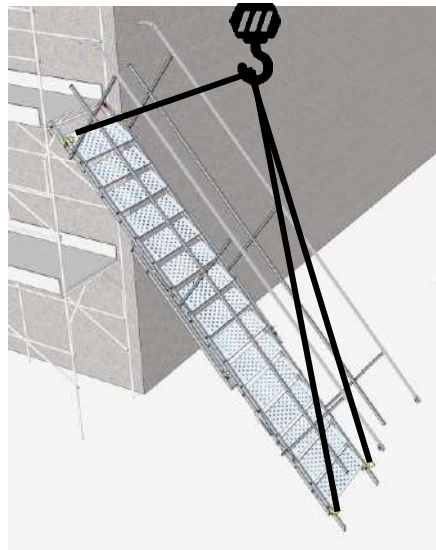
Slab edge



Embankment

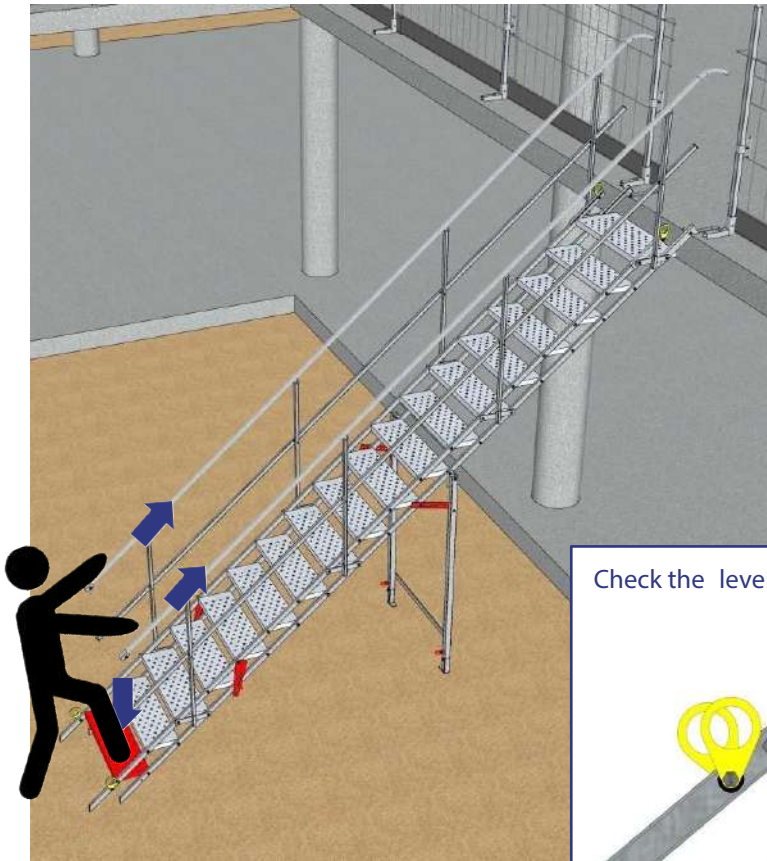


Scaffold



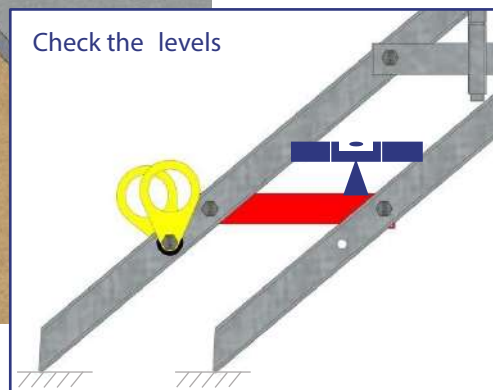
## Assembly of the stairway

- 5 Once it is placed and secured on top, push on the guard rails so that the steps are parallel to the floor.

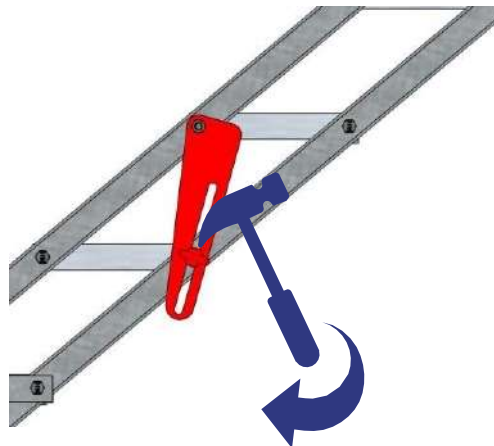


Operations to conduct from the floor according to the following actions:

1. Unlock the locking device.
2. Push on the guard rails, feet on the floor.
3. Lock the guard rails with the safety pin.

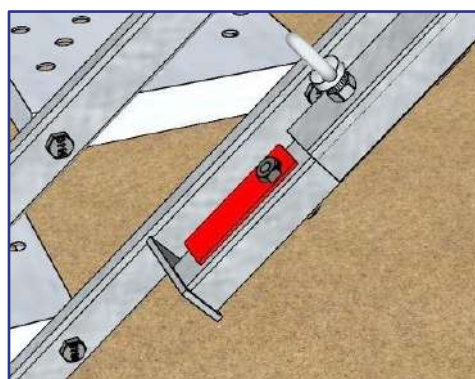
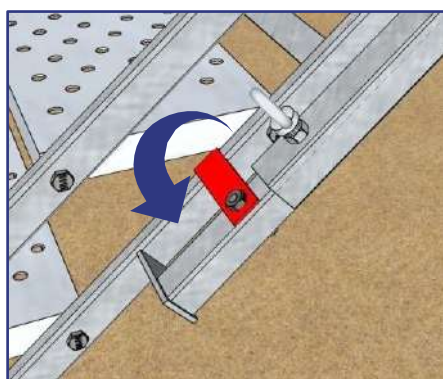
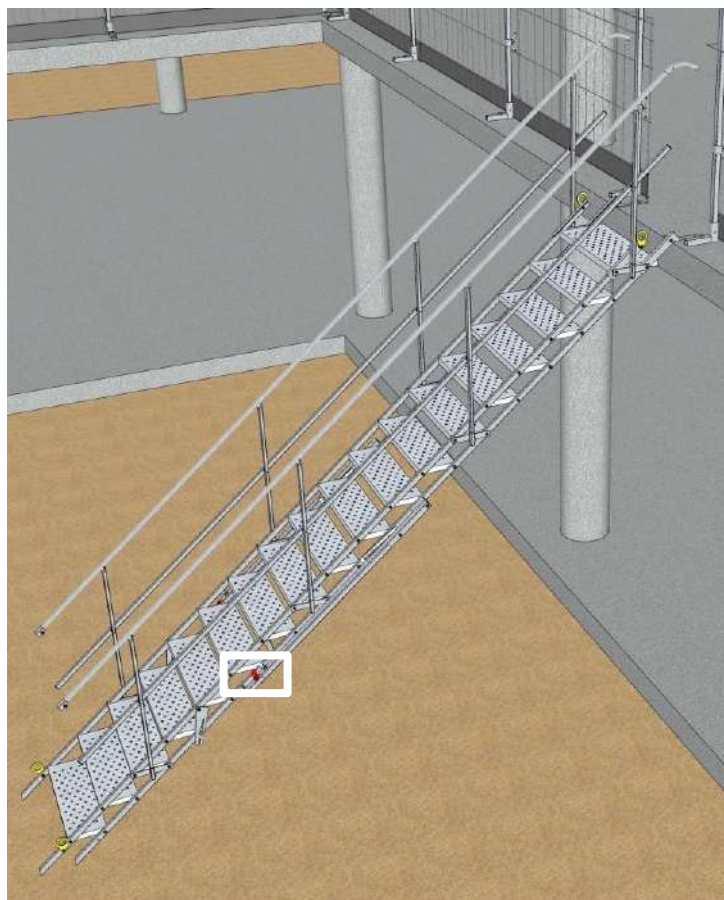


- 6 Tighten the locking device once the stairway is placed correctly.



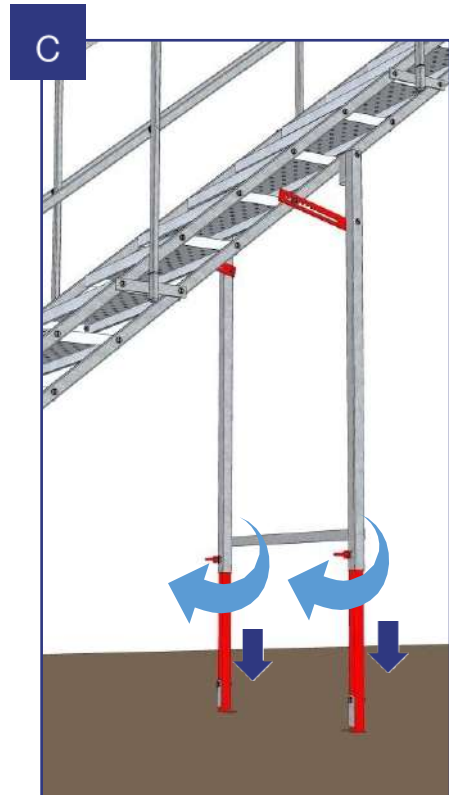
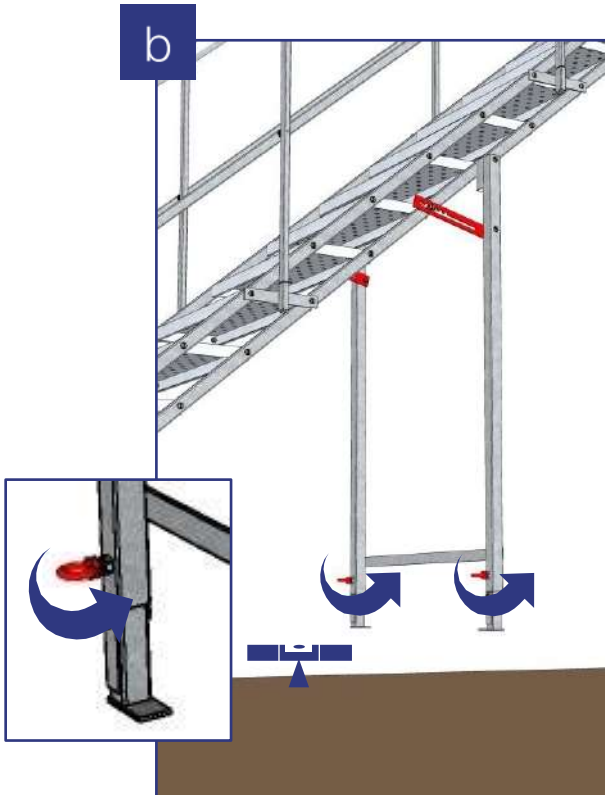
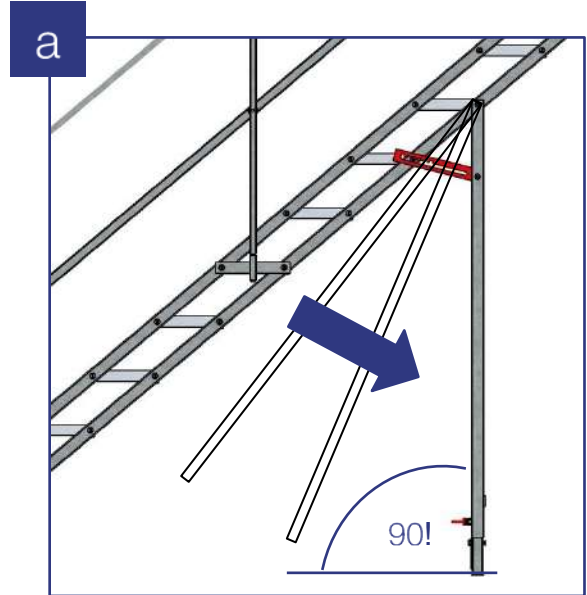
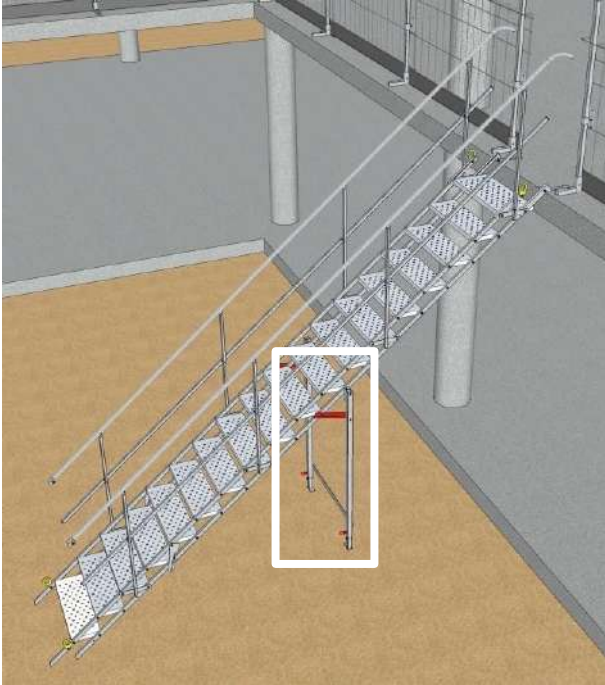
## Installation of the stairway support (Staiway 15-18 steps)

7 Unlock the support safety mechanism.

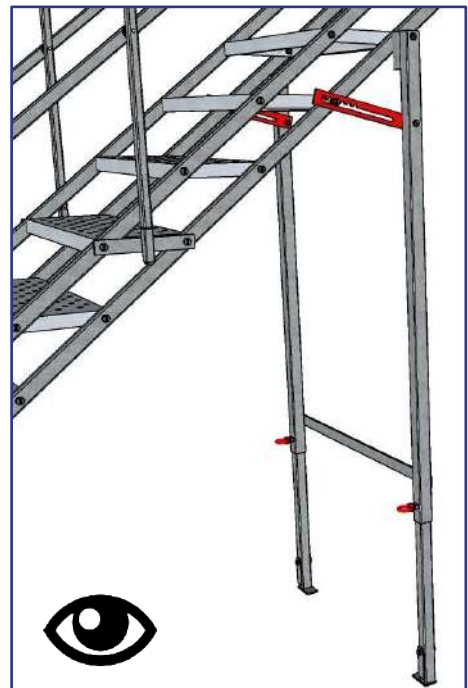
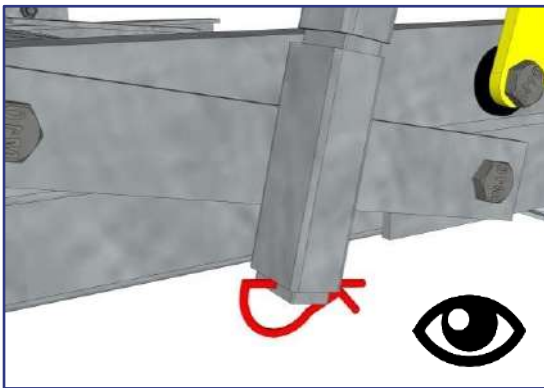
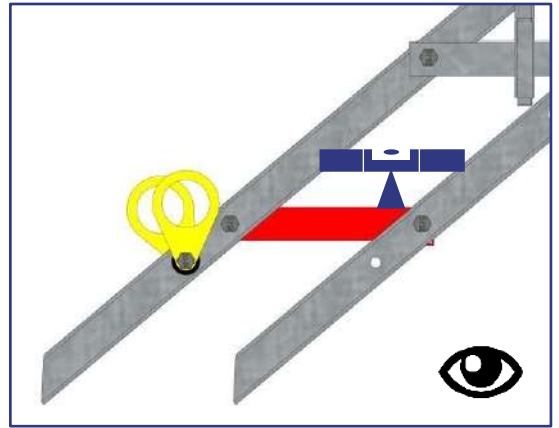
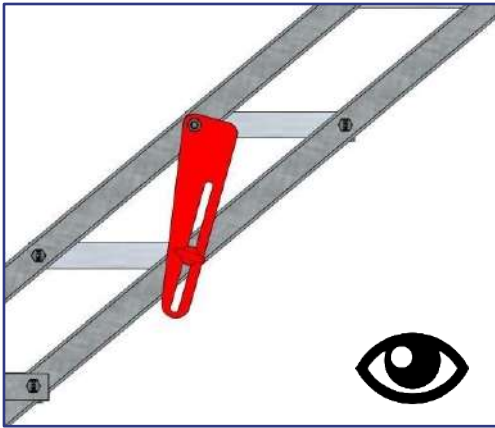


# Installation of the stairway support (Stairway 15-18 steps)

8 Unfold the support.



## Preventivemaintenance



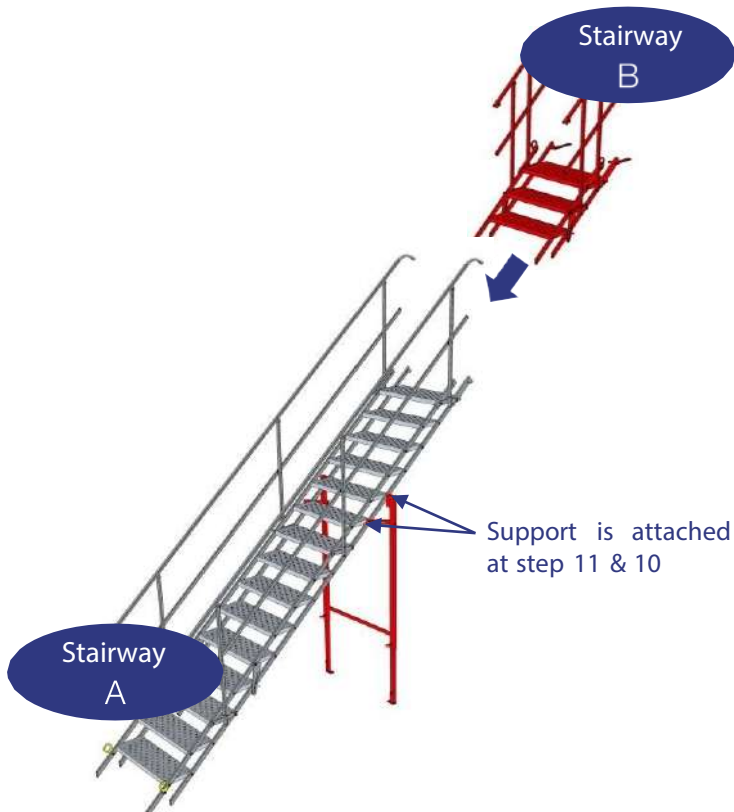
Check every week at least!

## Assembly of 2 stairways

Connection of 2 independent stairways	3 steps	6 steps	9 steps	12 steps	15 steps	18 steps
3 steps	!	!	!	✓	★	★
6 steps	!	!	✓	✓	★	✗
9 steps	!	✓	✓	✓	✗	✗
12 steps	✓	✓	✓	✗	✗	✗
15 steps	★	★	✗	✗	✗	✗
18 steps	★	✗	✗	✗	✗	✗

- No support needed
- ✓ Support needed
- ★ Support included
- ✗ DO NOT connect

Ex: Assembly of 15+3: To obtain 18 steps. The smallest (B) stairway is always on the top part, and the tallest with a support (A) on the bottom part of the installation.

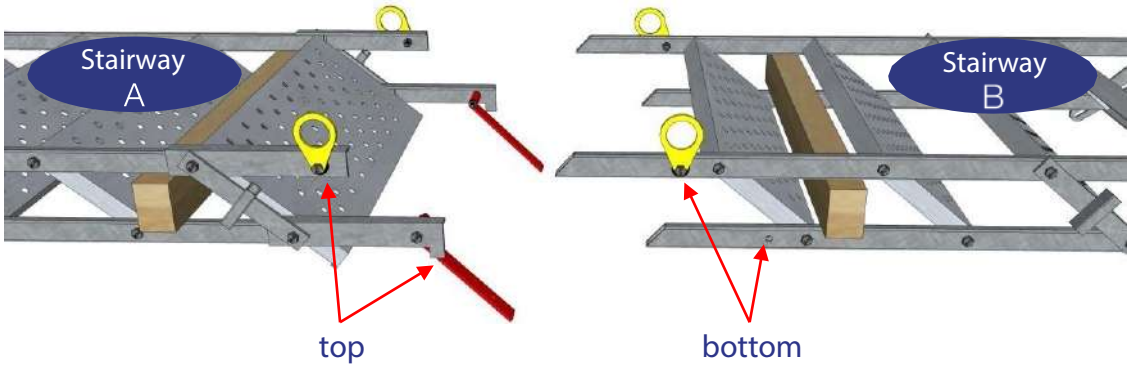


Assembly of 2 stairways:

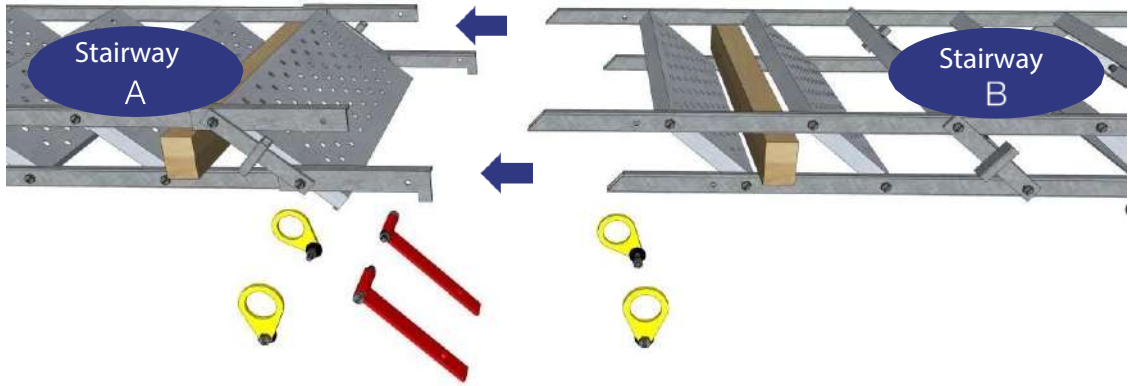
- max. 2 stairways
- max. 21 steps
- support is mandatory for 15-21 steps
- > 21 steps: on embankment

# Assembly of 2 stairways

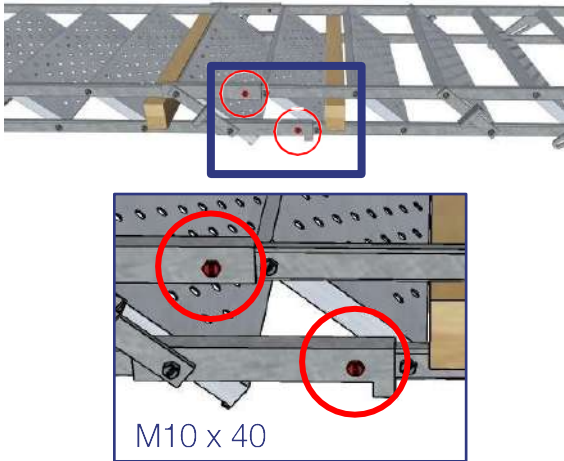
1 Remove the liftingrings of stairways A and B, as well as the slab attachment on stairway A.



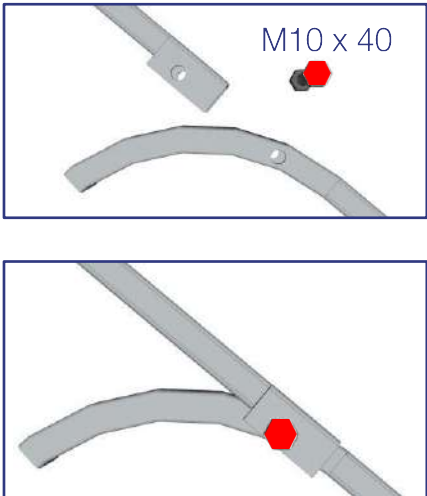
2 Set the 2 stairways identically and put the smallest (B) into the largest (A) and slide it.



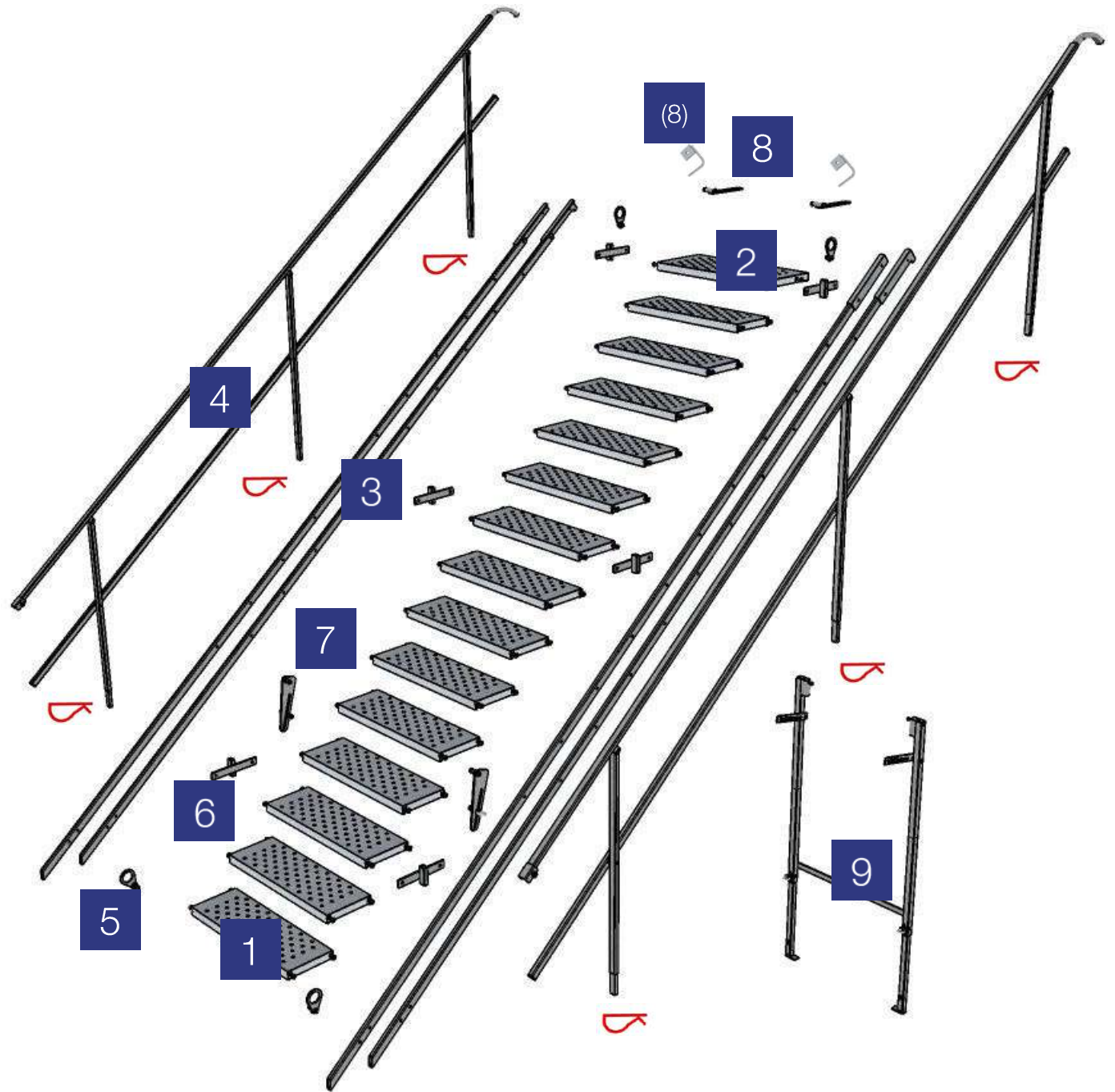
3 Once in placed, secure the stairways with screws and tighten them.



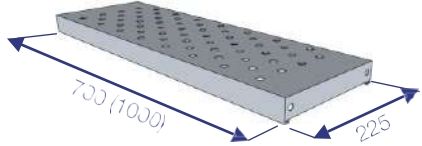
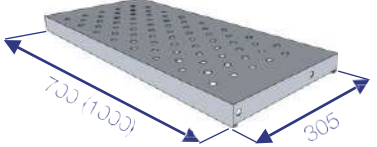
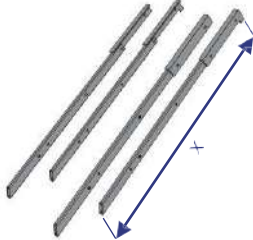
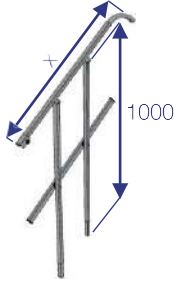


4 Connect the guard rails.



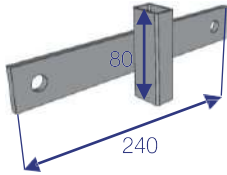
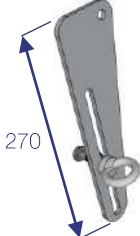
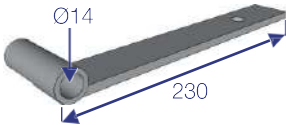
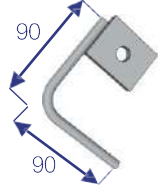
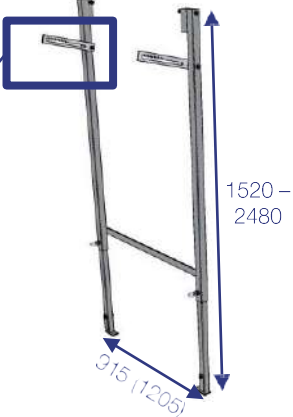
# Stairway components (example 15 steps)



## Stairway components

N°	Code	Description	Image
1	5161012	Single step stairway 1000	
2	5161013	Landin g step stairway 1000	
3	5161031 5161061 5161091 5161121 5161151 5161181	Lateral stringboard:  Stairway 3 steps (x =1065) Stairway 6 steps (x =1875) Stairway 9 steps (x =2685) Stairway 12 steps (x =3495) Stairway 15 steps (x =4305) Stairway 18 steps (x =5115)	
4	5161038 5161068 5161098 5161128 5161158 5161188	Guard rails:  Stairway 3 steps (x =954) Stairway 6 steps (x =1760) Stairway 9 steps (x =2568) Stairway 12 steps (x =3399) Stairway 15 steps (x =4206) Stairway 18 steps (x =5018)	  
5	5161002	Lifting rings	

## Stairway components

N°	Code	Description	Image
6	5161004	Lifting rings	
7	5161003	Locking device	
8	5161001	Slab attachment	
(8)	5061103	Tube attachment	
9	5261005	Stairway support 1000	
	50610019	Support safety device (crocodile)	