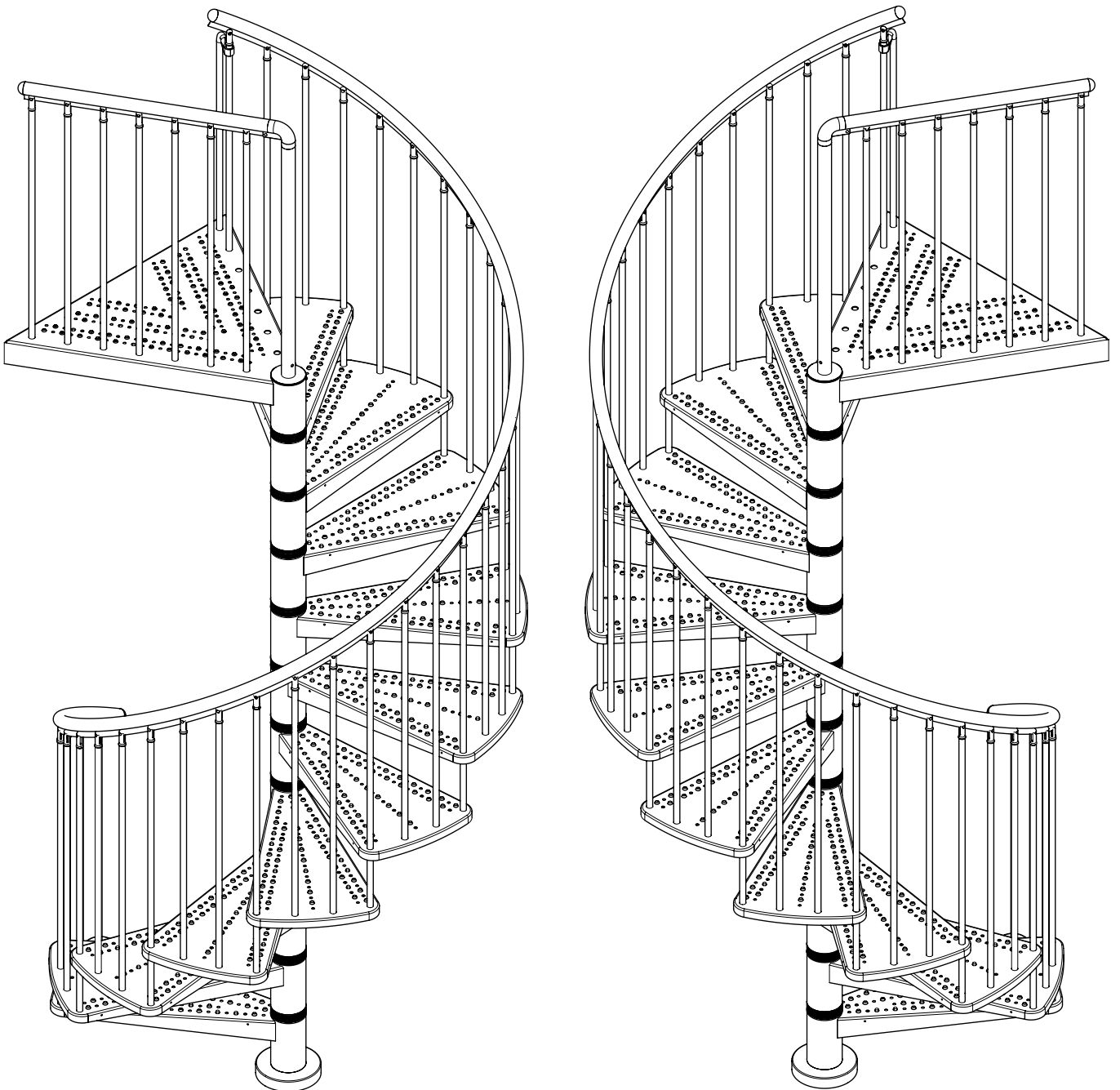
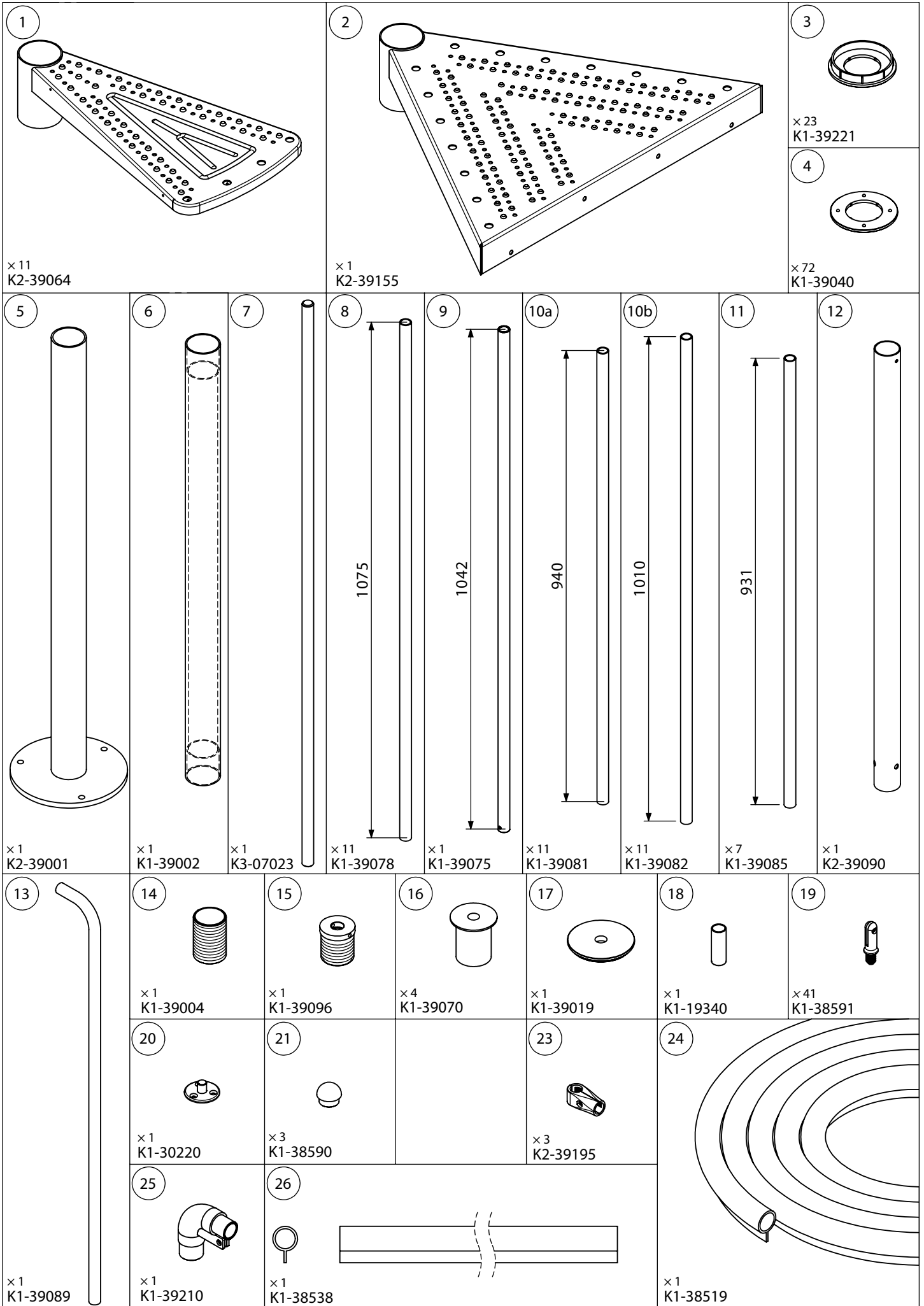





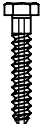












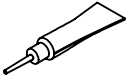
TORONTO / INDUSTRIA V3

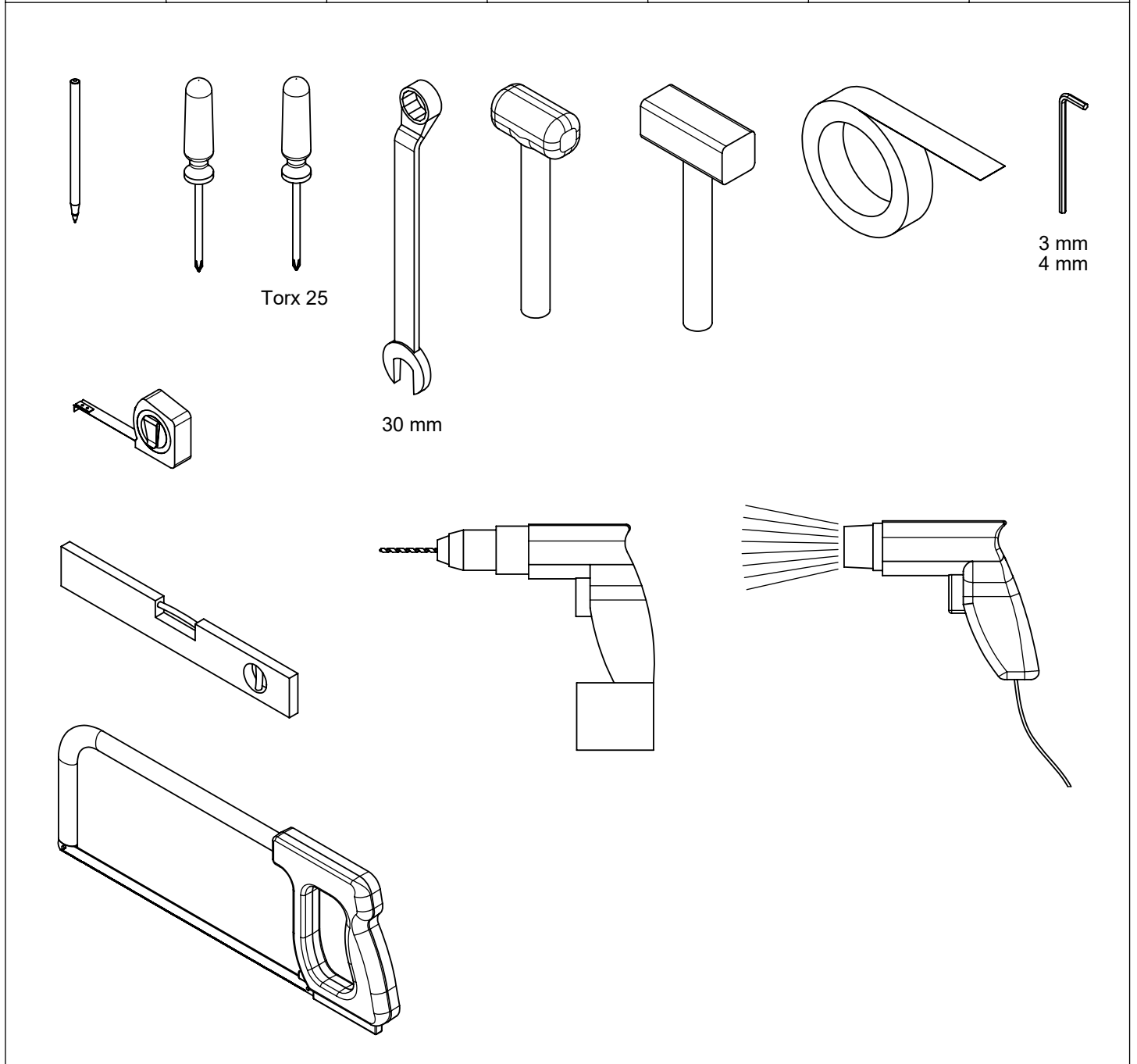
Ø 155 cm

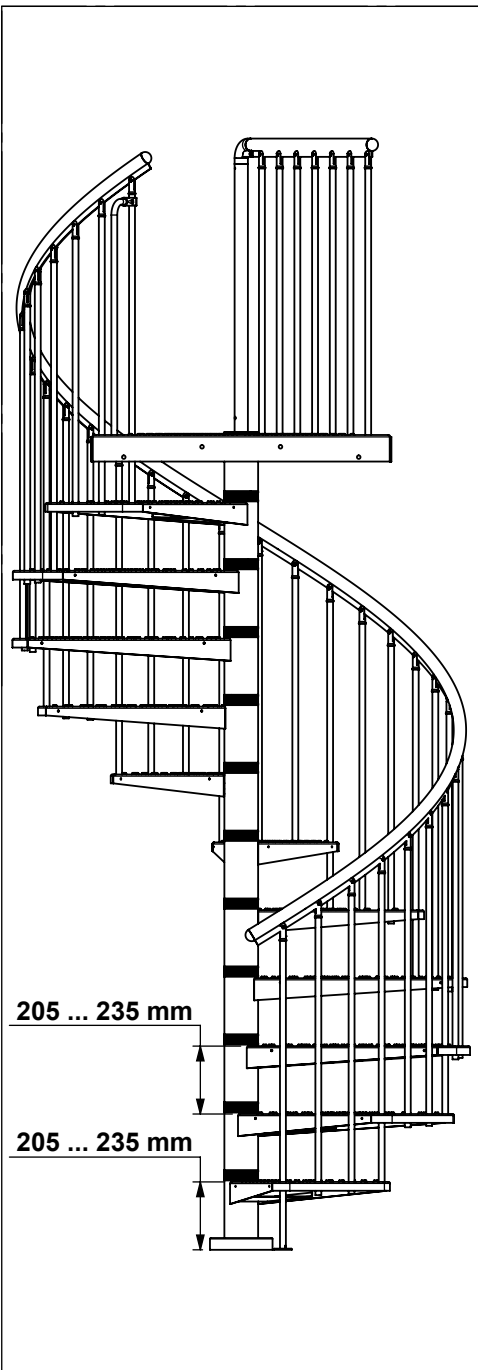
Notice de montage
Installation instruction



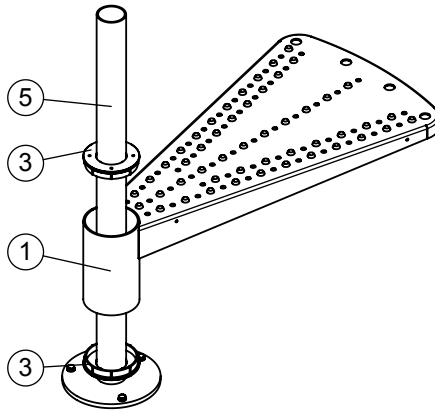


<p>27</p>  <p>× 1 K1-39214</p>	<p>28</p>  <p>× 2 K2-39010</p>	<p>33</p>  <p>× 5 K1-39030</p>				
<p>50</p>  <p>× 7 K3-06070 Ø10 x 60</p>	<p>51</p>  <p>× 7 K3-04040 Ø10</p>	<p>52</p>  <p>× 7 K3-08001 Ø12 x 60</p>	<p>53</p>  <p>× 2 K3-05021 M8 x 10</p>	<p>54</p>  <p>× 2 K3-03054 M20</p>	<p>55</p>  <p>× 2 K3-04021 Ø20</p>	<p>56</p>  <p>× 118 K3-05055 M6 x 5</p>
<p>57</p>  <p>× 9 K3-08002 Ø8 x 40</p>	<p>58</p>  <p>× 9 K3-06007 Ø6 x 35</p>	<p>59</p>  <p>× 42 K3-03050 M5</p>	<p>60</p>  <p>× 42 K3-01201 M5 x 14</p>	<p>61</p>  <p>× 1 K3-02089 M8 x 100</p>	<p>69</p>  <p>× 1 R1-63272 Ø6 x 25</p>	<p>70</p>  <p>× 1 K3-90001</p>

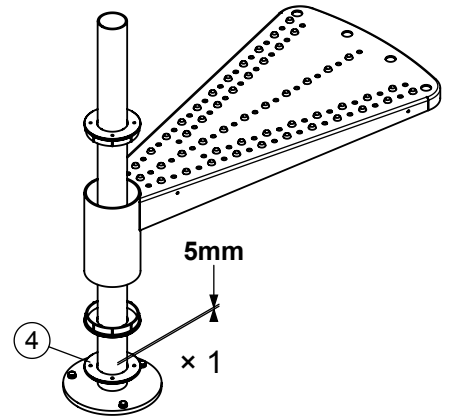




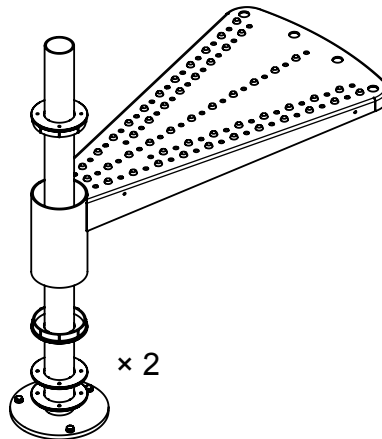
205 mm



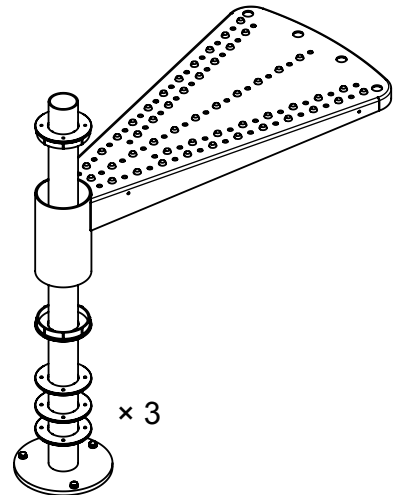
210 mm



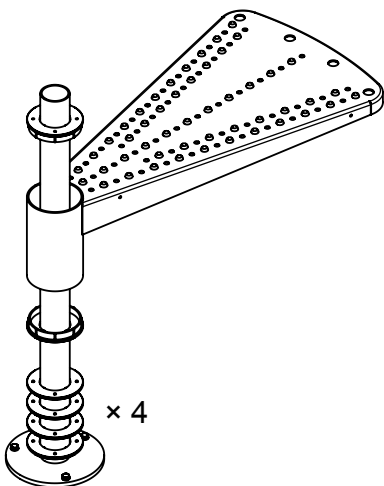
215 mm



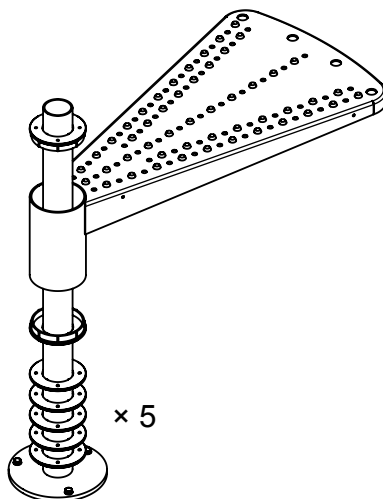
220 mm



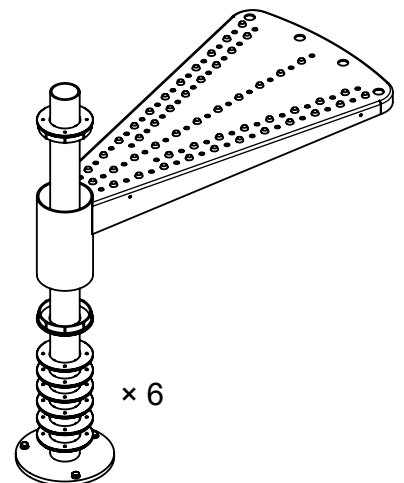
225 mm



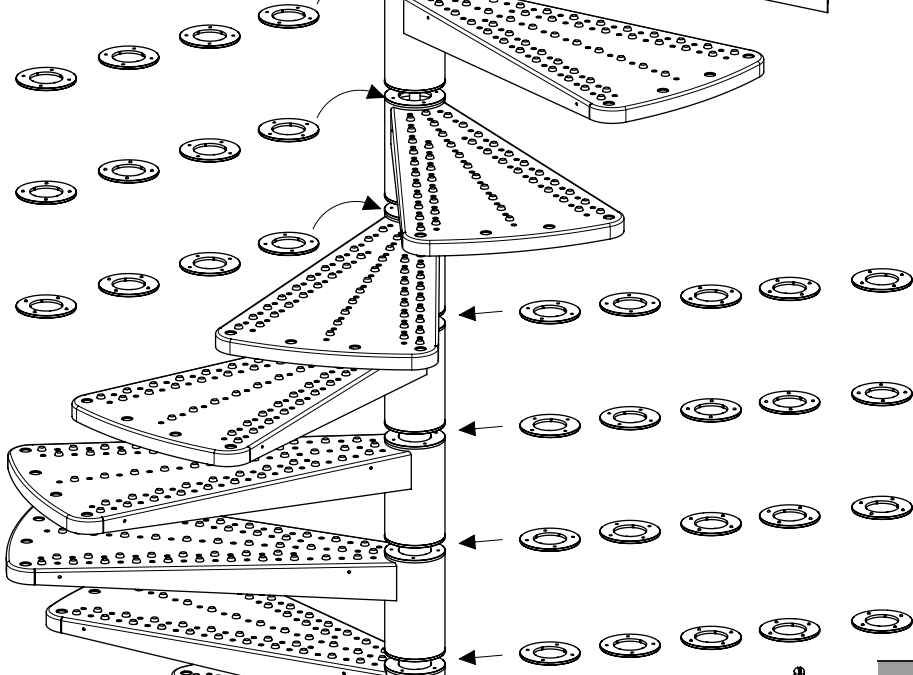
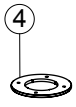
230 mm



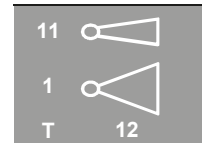
235 mm



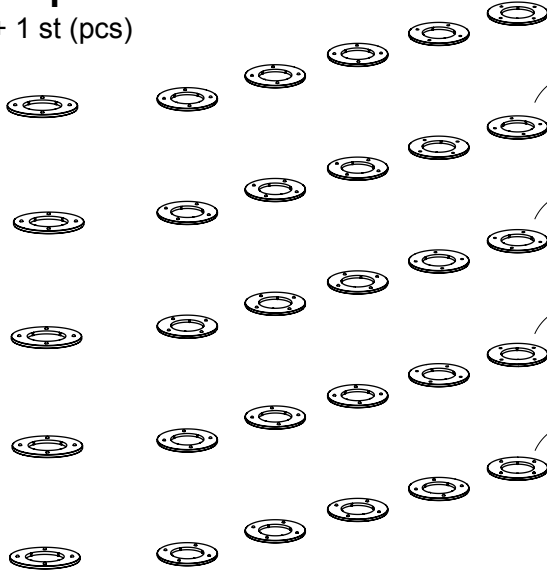
N
0...6 st (pcs)



P
+ 1 st (pcs)



P
+ 1 st (pcs)



12

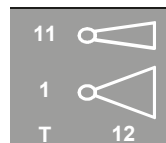
2700	5	5
2785	5	5
2790	5	6
2795	5	7
2800	5	8

P

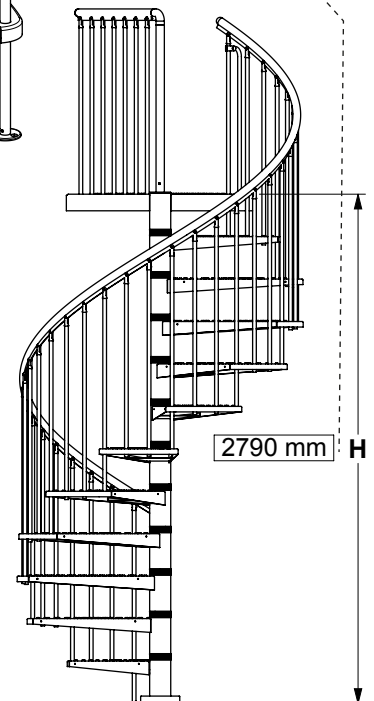
N × T

+ 6 st (pcs)

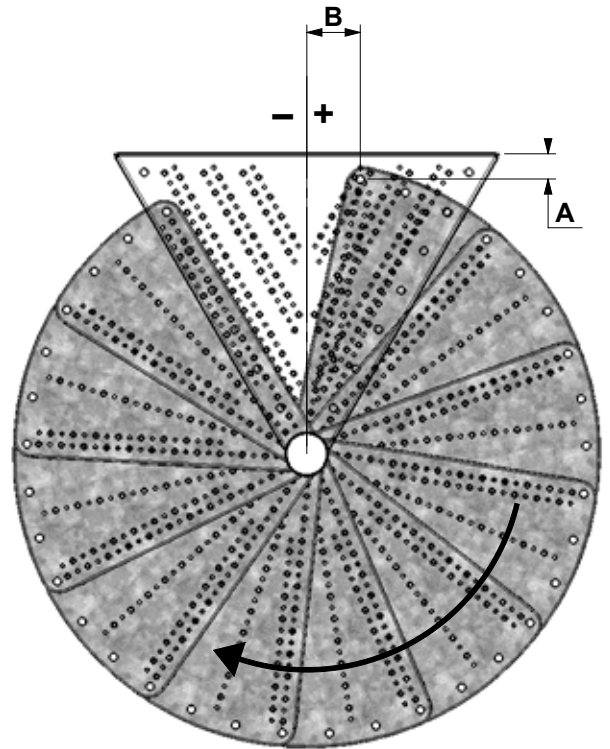
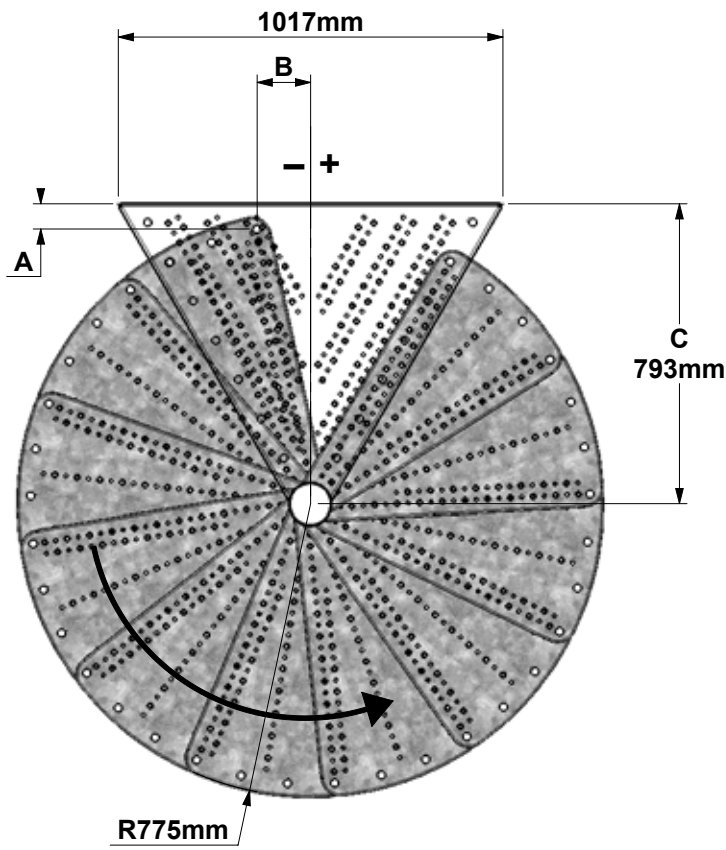
5 st (pcs) × 12
= 60 st (pcs)




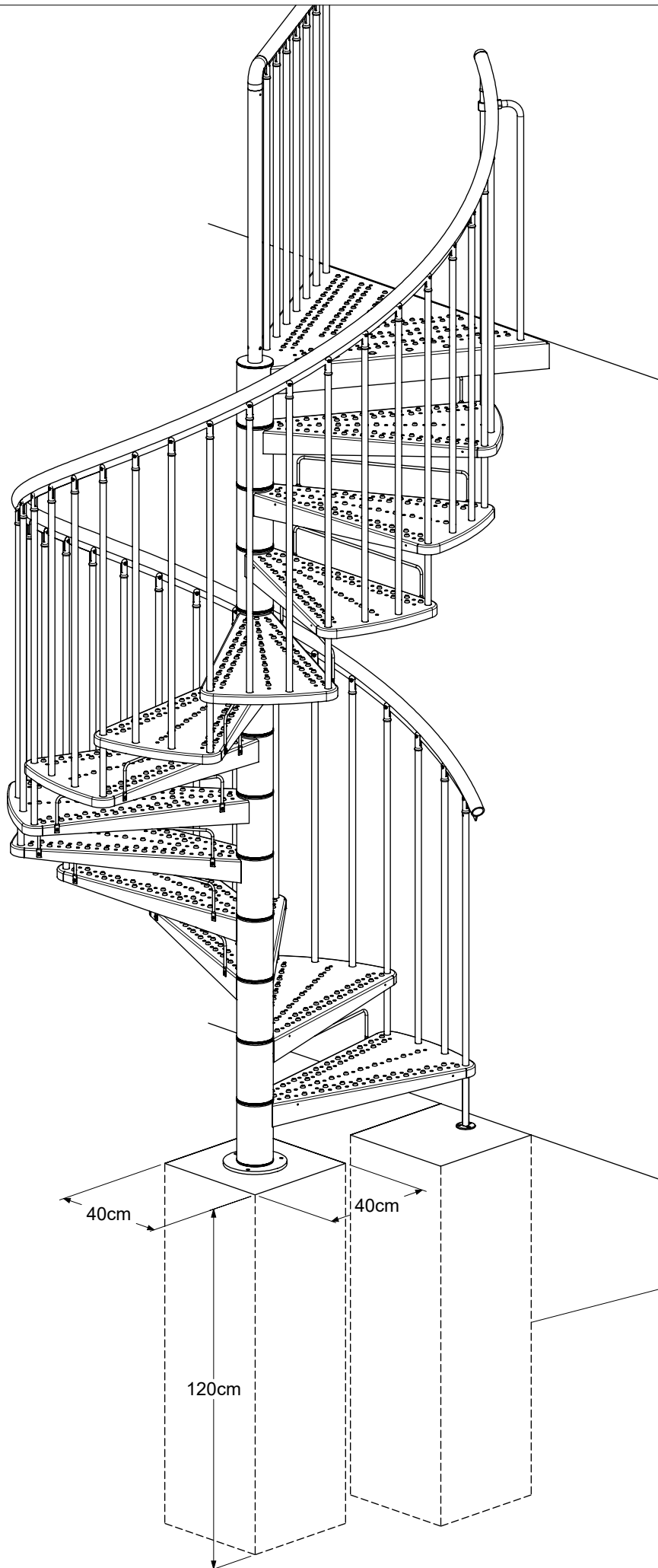
2700	5	5
2785	5	5
2790	5	6
2795	5	7
2800	5	8



2790 mm H



Ø 155 cm		
	A	B
	mm	mm
11	65	-141
12	87	228
13	286	541
14	612	718
15	982	715
16	1305	532



Concrete
Béton
Hormigón

