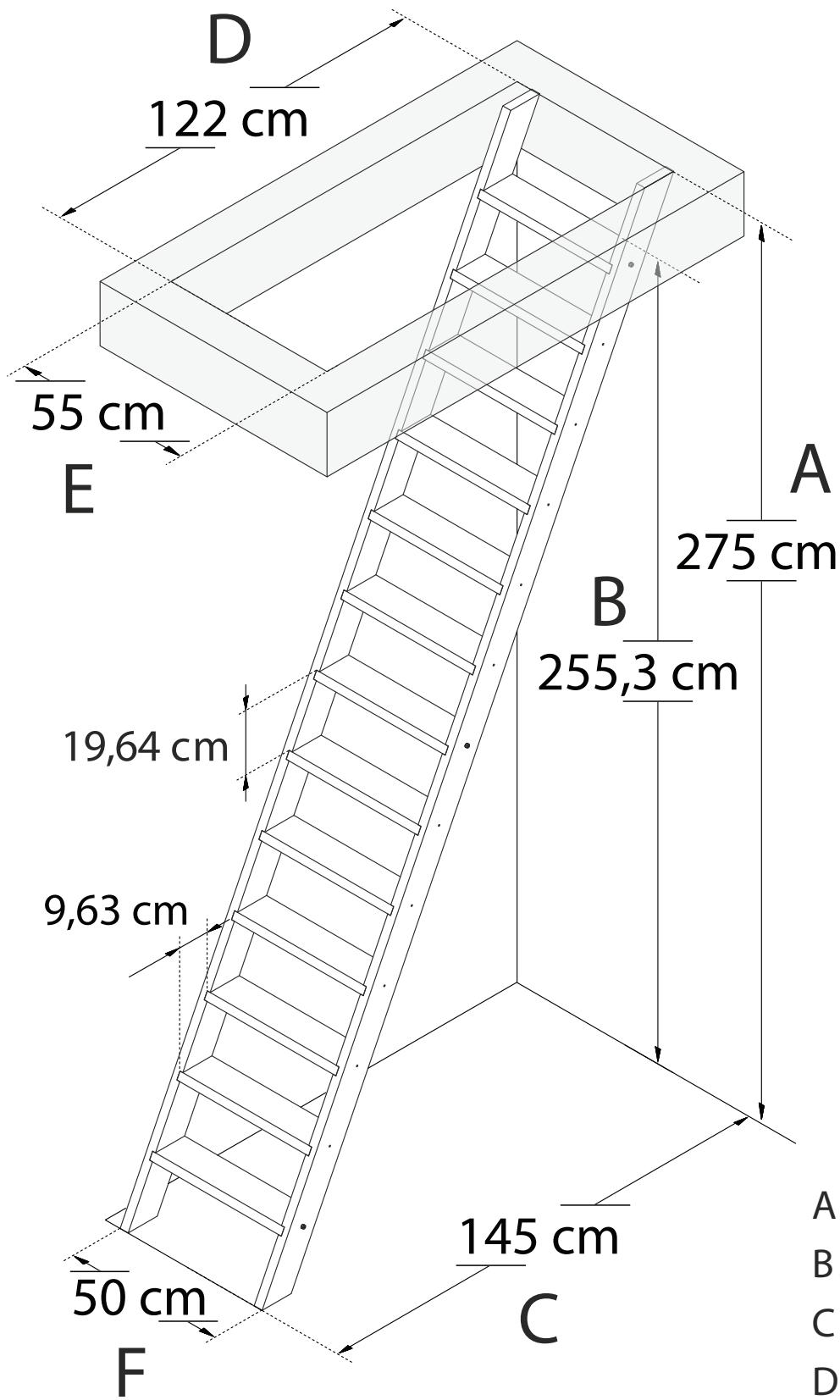


# COTTAGE PREMIUM

STAIRCASE | ESCALIER | LADDER | WANGENSPARTREPPE  
ESCALERA | ESCADA | ESCALA | SCARĂ



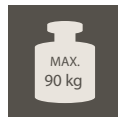
- A .....cm
- B.....cm
- C .....cm
- D .....cm
- E .....cm
- F .....cm



Space saving  
63,8°




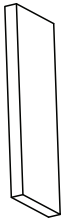






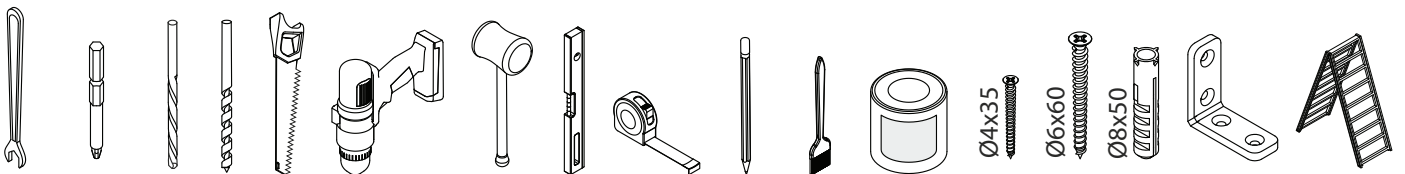
Wall handrail  
300 cm



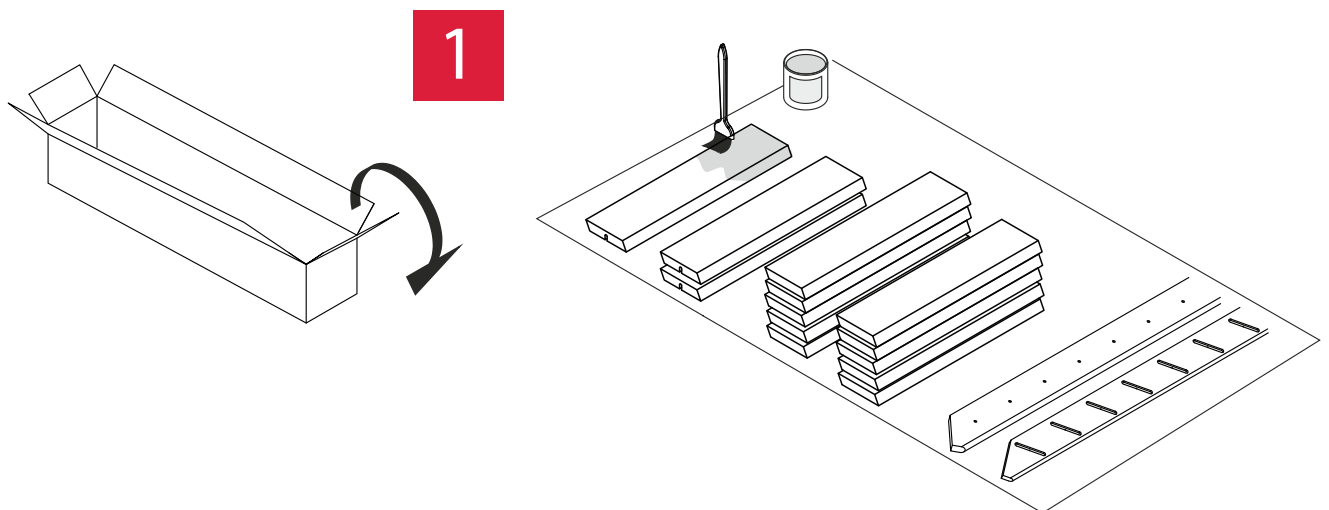
Max. total weight\*  
90 kg

\*Maximum total weight recommended by manufacturer

01 x1	28x92x3108	02 x1	28x92x3108	03 x3	22x112x464	04 x10	22x112x464	05 x3	M6x515	06 x6	Ø6xØ12x2	07 x6	M6x6	08 x20	Ø5x50
															

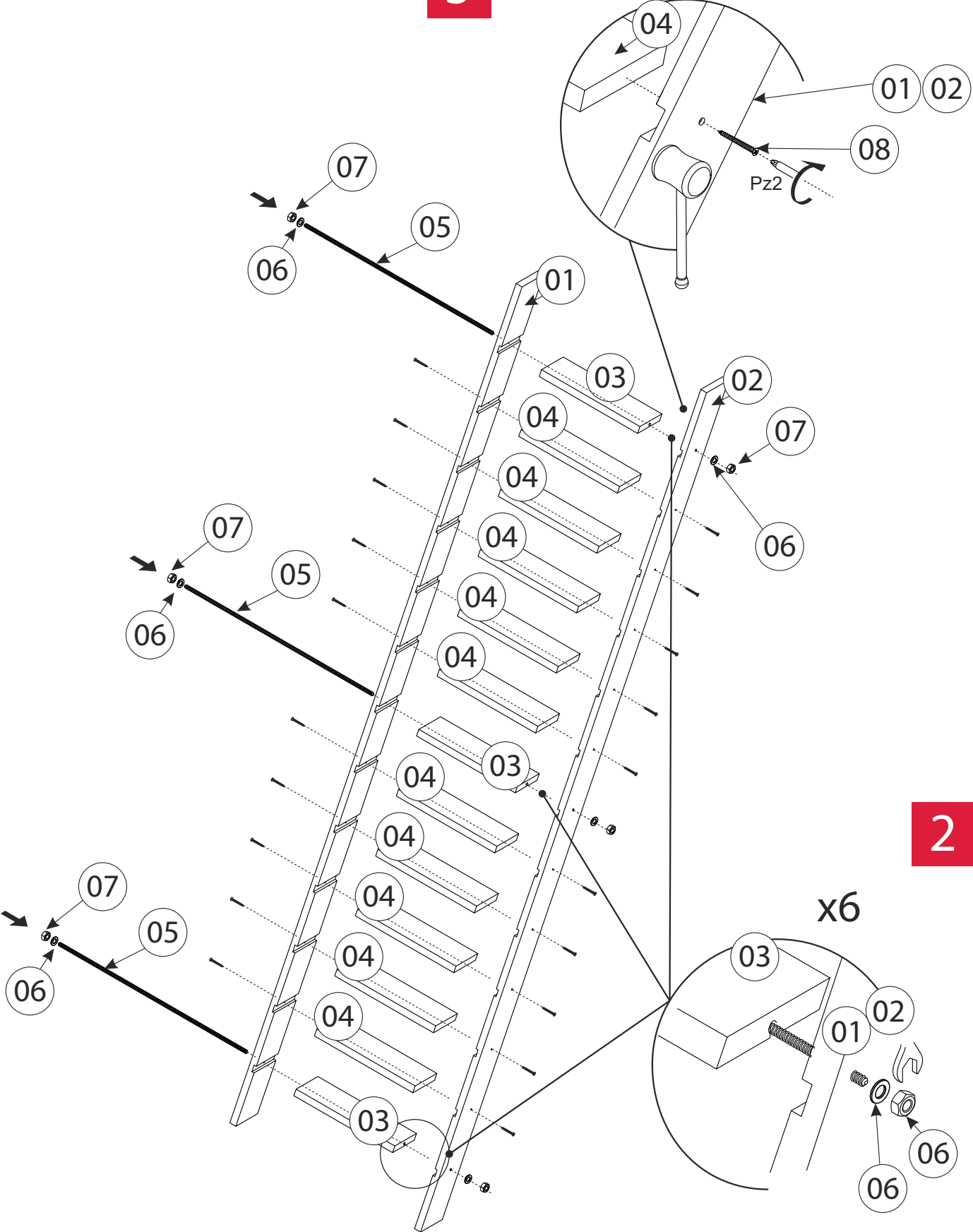


10 Ph2/3 Ø10 Ø4  
Pz2/3 Ø8 Ø12



3

x20

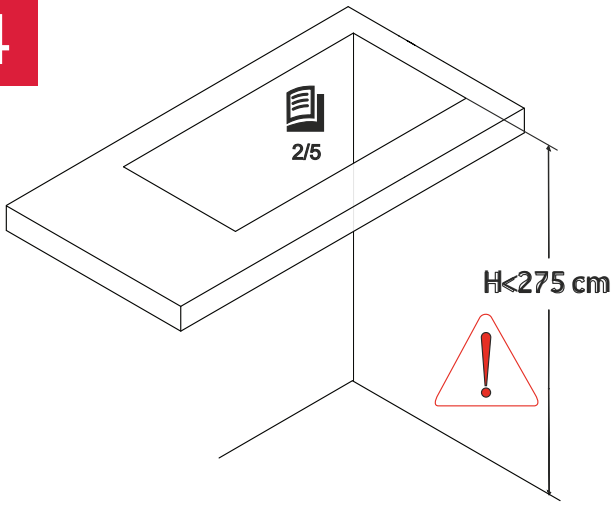


2

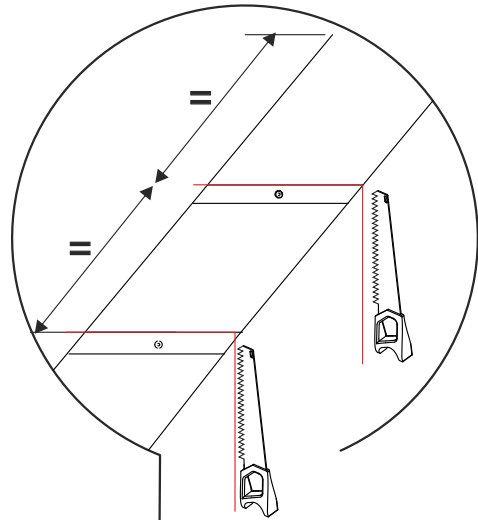
x6

4

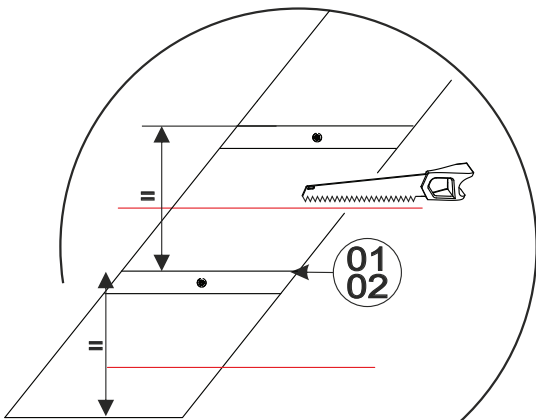
$H < 275 \text{ cm}$



$-1h; -2h$

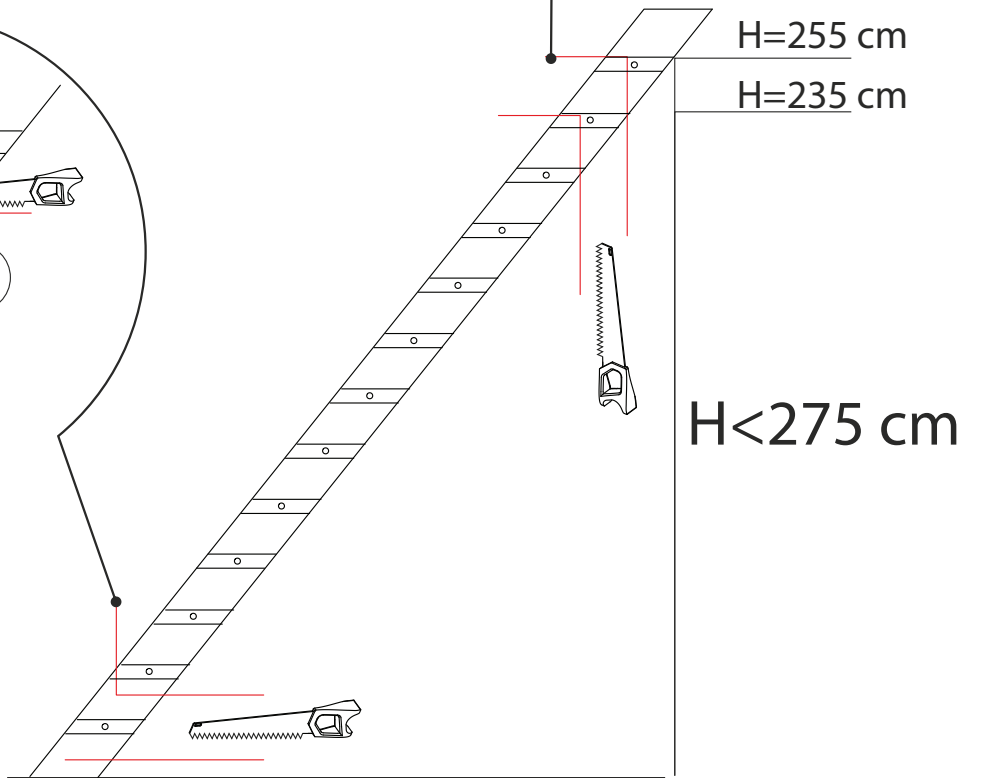


$-0,3h; -1,5h$

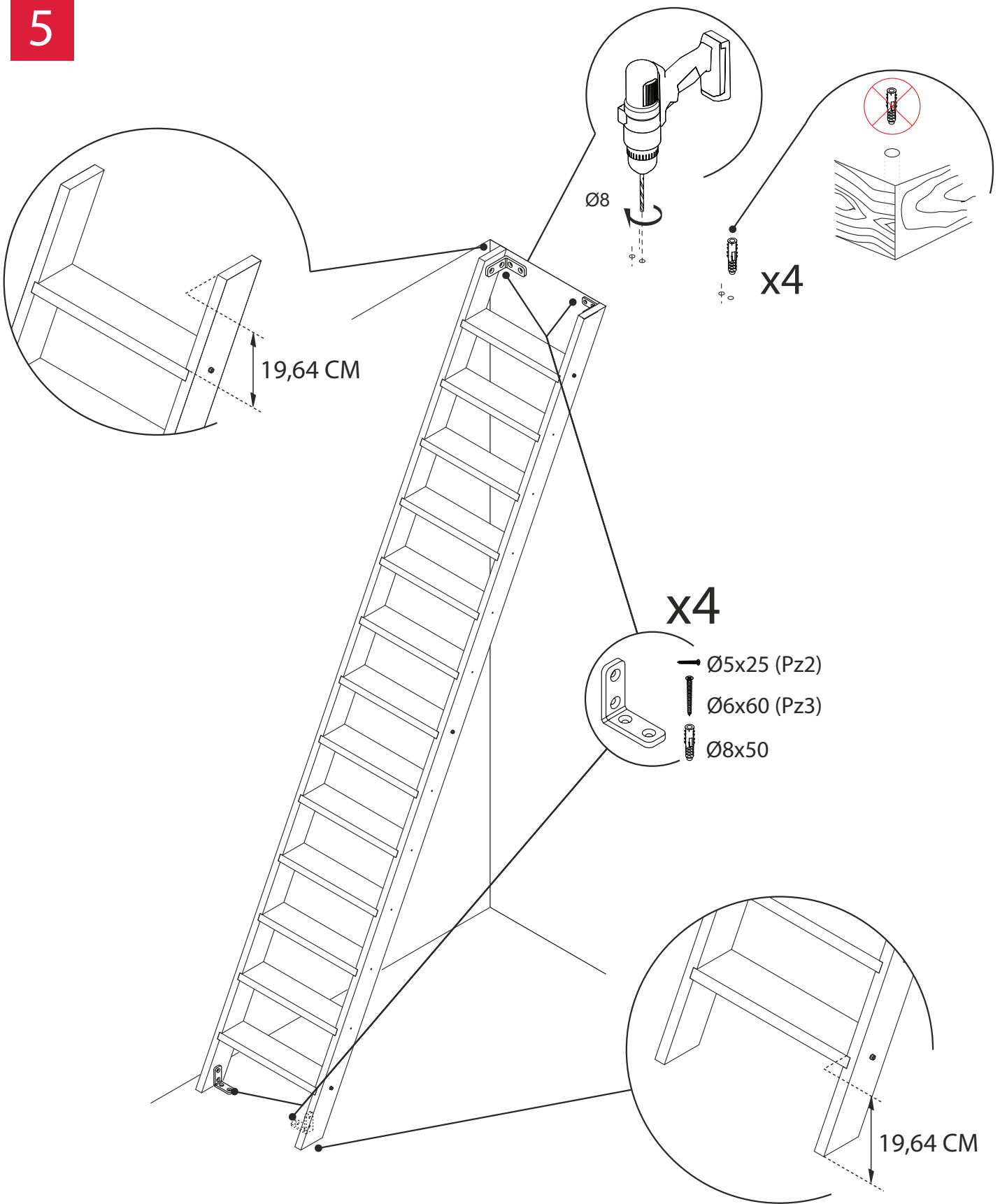


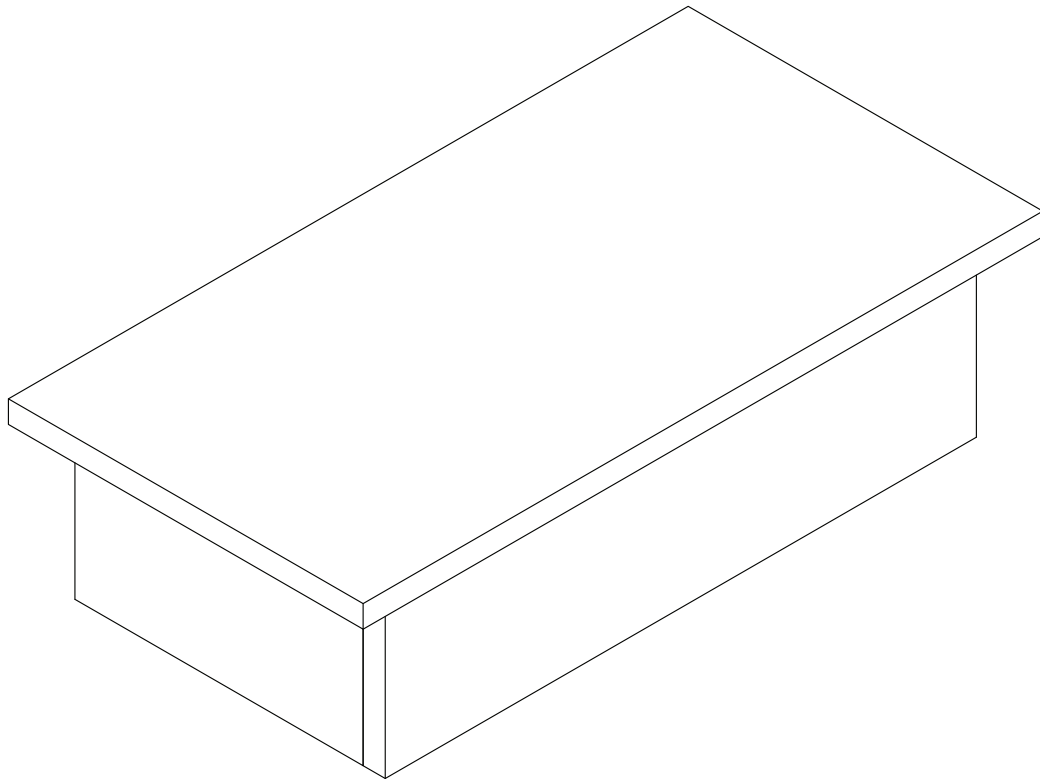
$H = 255 \text{ cm}$

$H = 235 \text{ cm}$



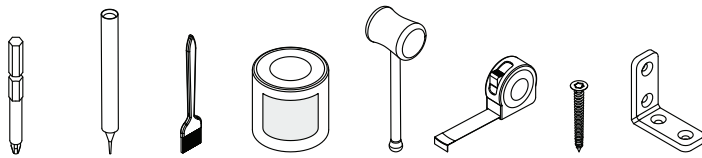
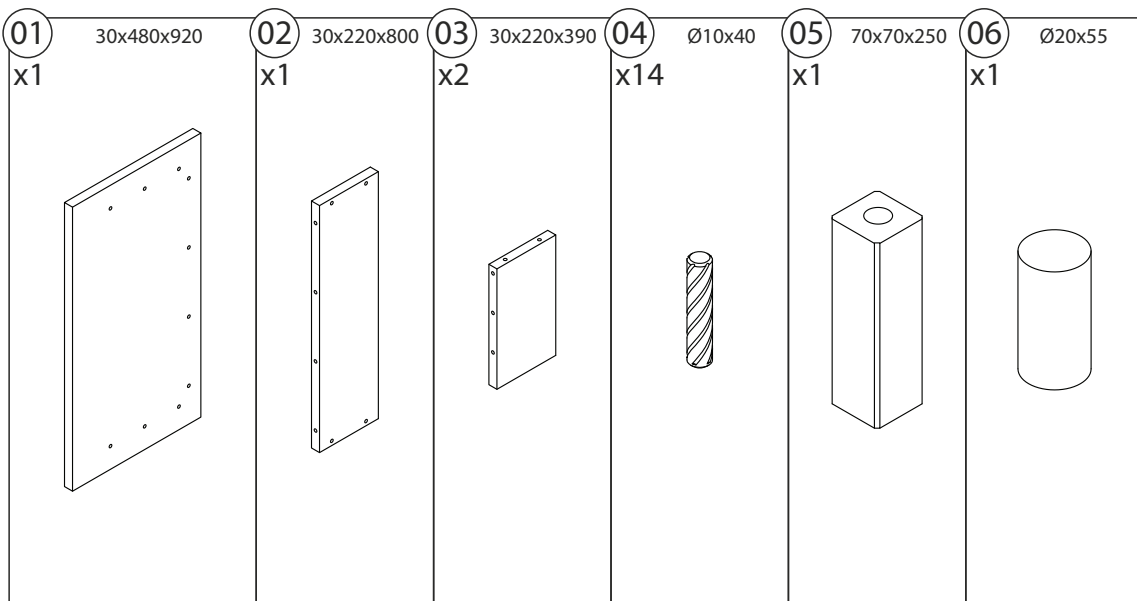
5





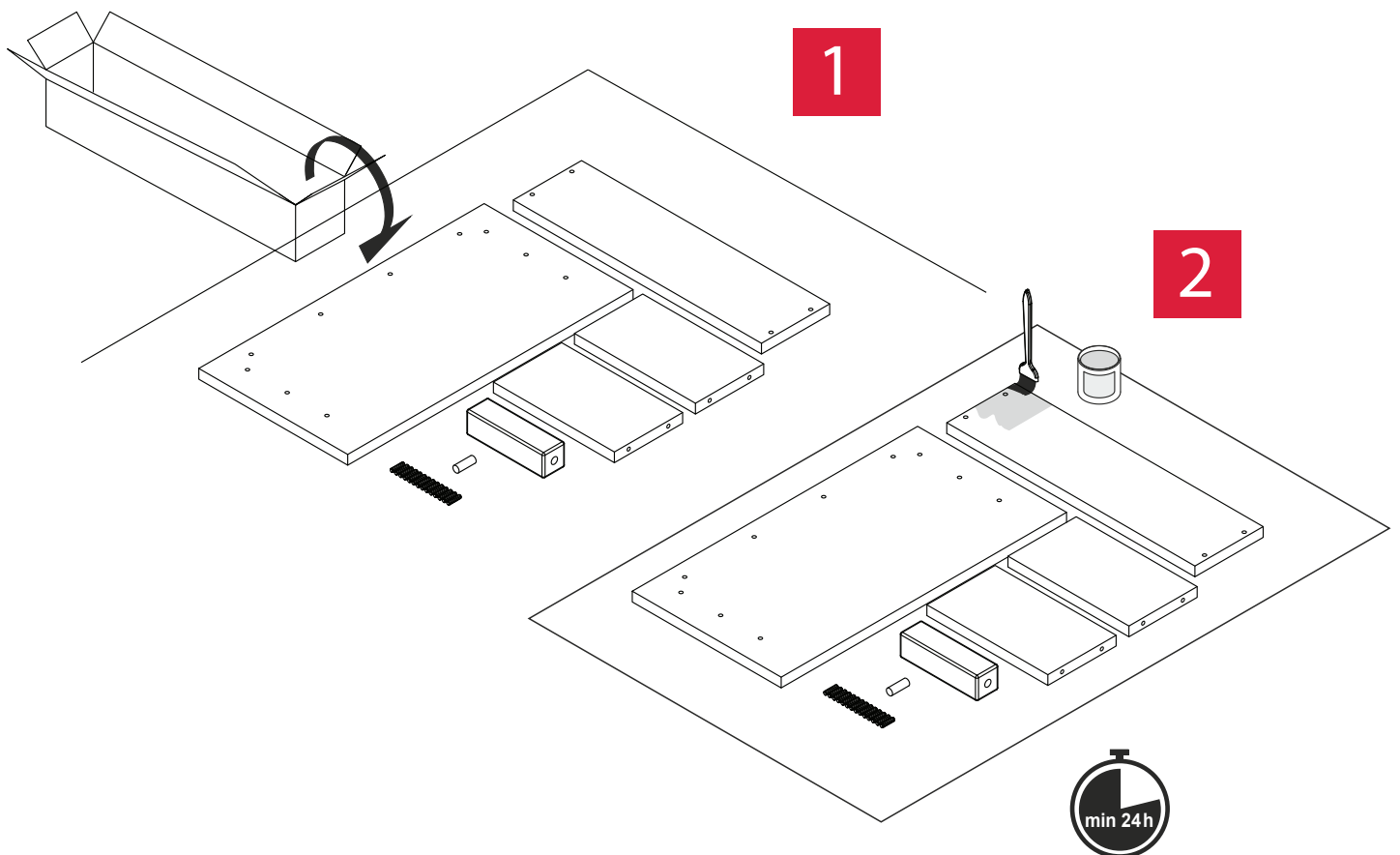
# COTTAGE

BULLNOSE | SOCLE | BLOCKTREDE | ANFANGSSOCKEL  
ZÓCALO | BASE INICIAL | ZOCCOLO | SOCLU

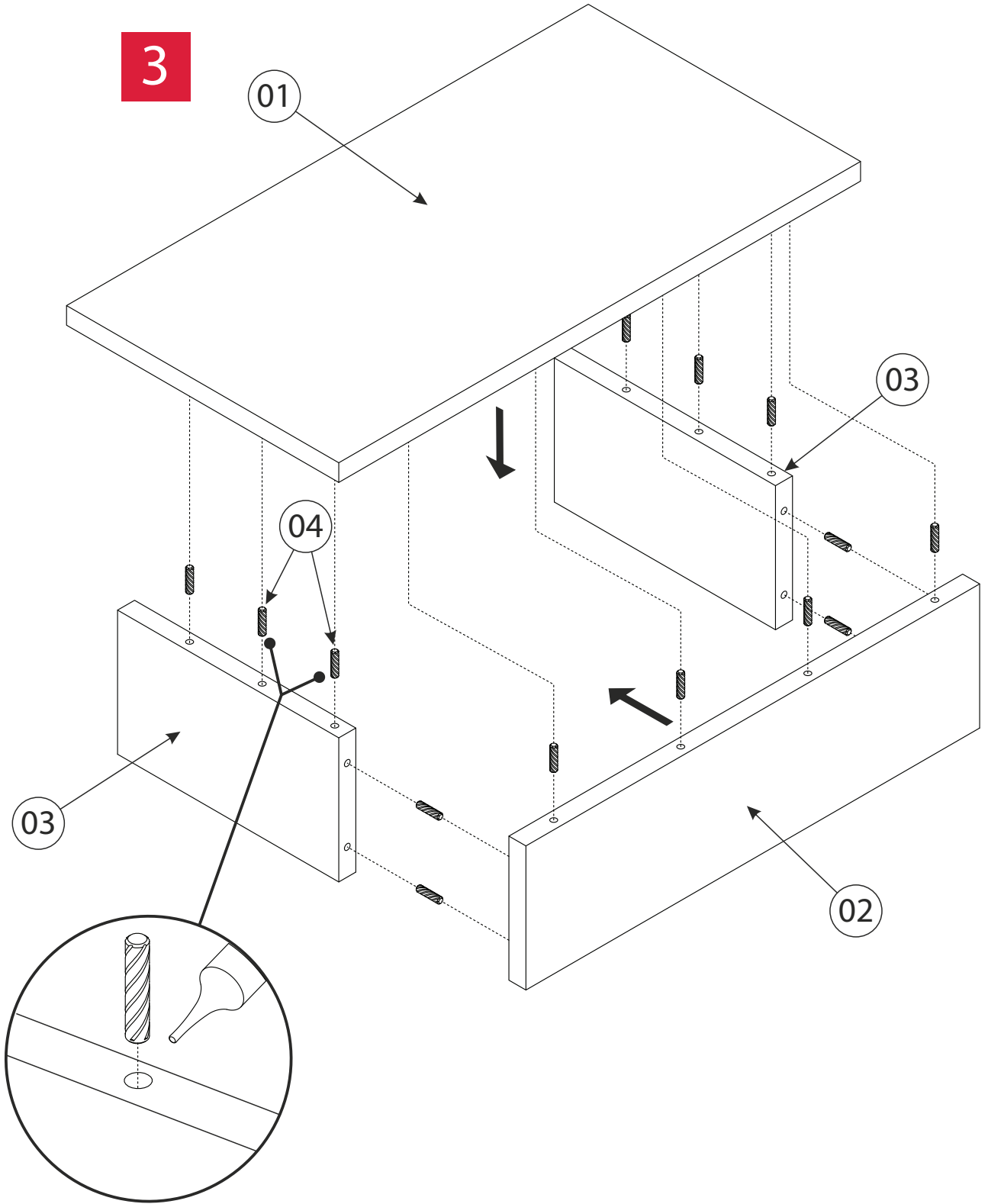


Pz2 silicone/  
la colle à bois

Ø5x25



3



**4 A**

