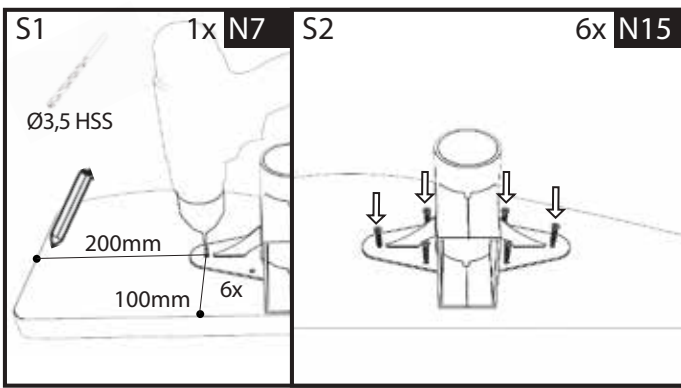


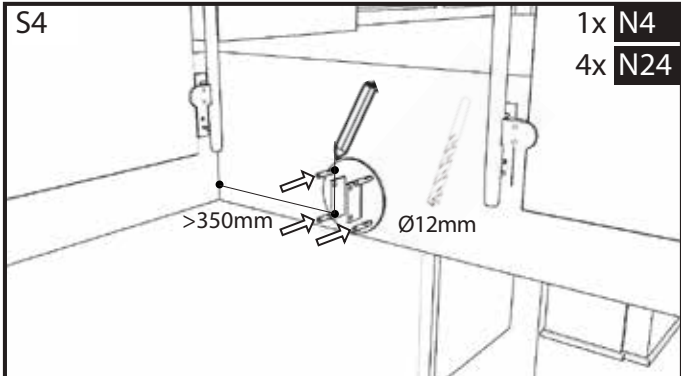
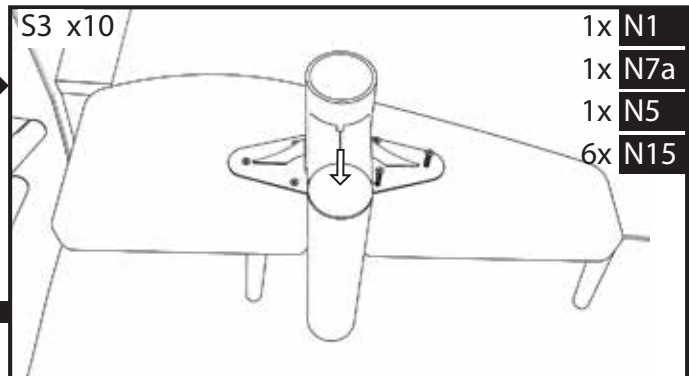
N1	11x	N2	1x	N3	1x	N4	1x	N5	11x	N6	10x				
									ø60mm		ø22mm				
N7	1x	N7a	11x	N8	10x	N9	20x	N10	4x	N11	8x	N12	20x	N13	24x
					ø22x1x1100mm				M10		M8				M10x8mm
N14	2x	N15	72x	N16	60x	N17	10x	N18	20x	N19	10x	N20	10x	N21	20x
	M10x8mm		ø6x30mm		ø5x40mm		ø4x25mm		Ø3,5x25mm		M5x20mm		M5		M6x6mm
N22	8x	N23	2x	N24	8x	N25	1x	N26	2x	N27	10x	N28	10x	N29	6x
	M8x70mm		M10x70mm		M8x55mm		Ø40x3,5x3000mm		ø40mm						ø6x12mm
N30	6x	N31	30x	N32	30x	N33	3x	<p>N1 - N33 OK? ↓ START</p>							
	ø6x1x1200mm				M6x14mm		ø4x40mm								

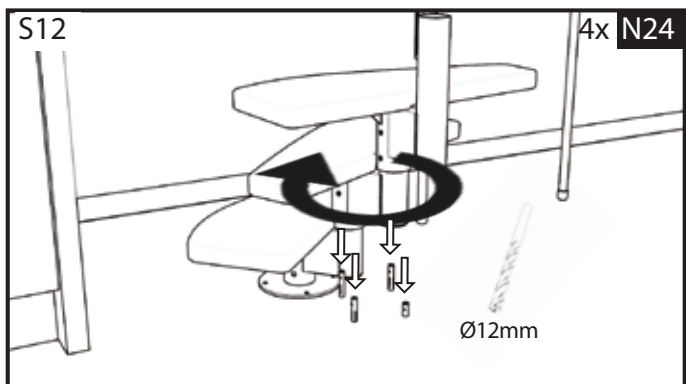
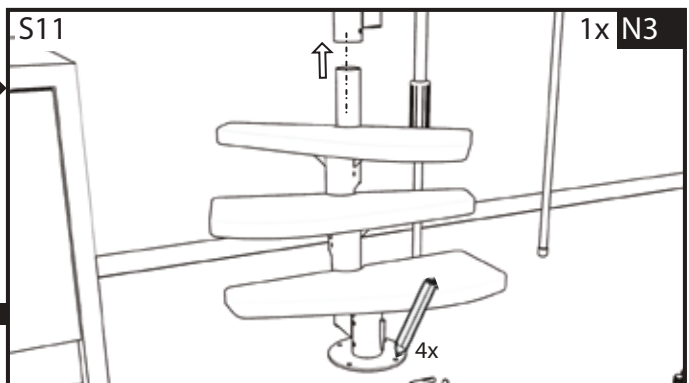
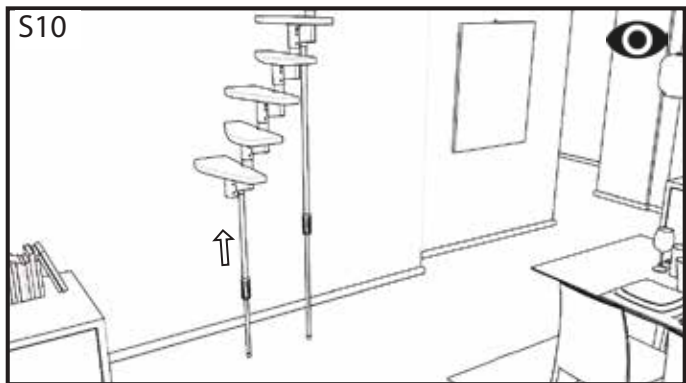
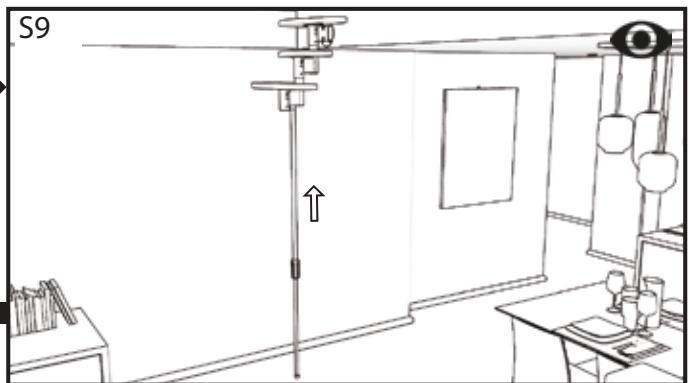
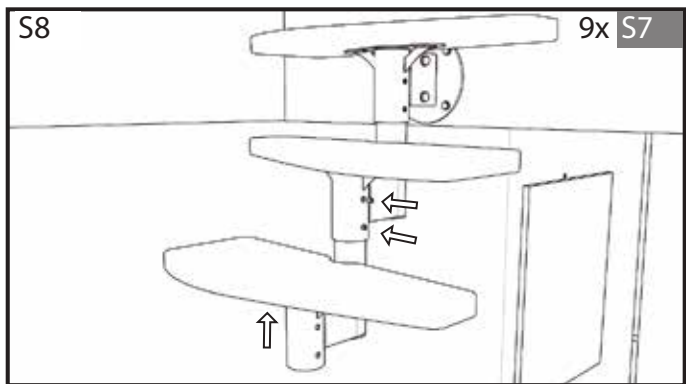
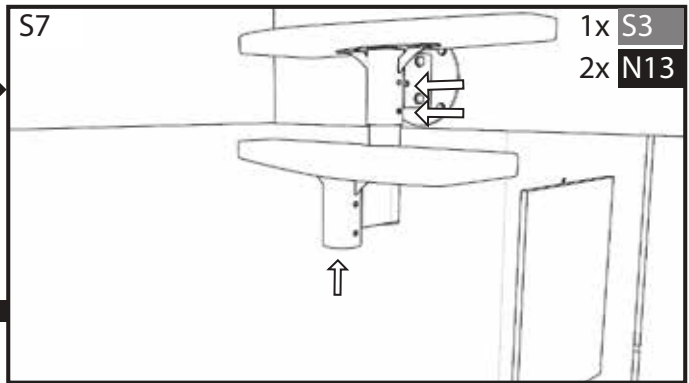
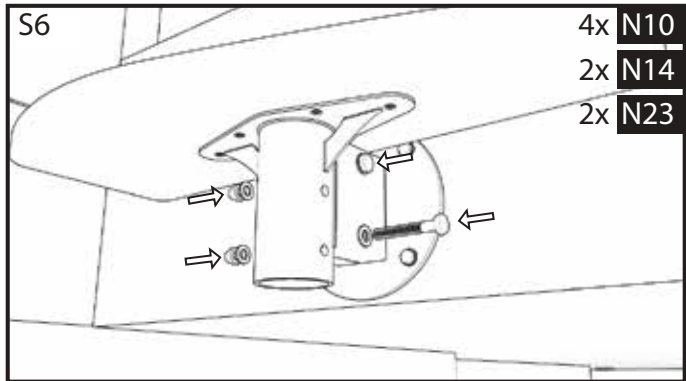
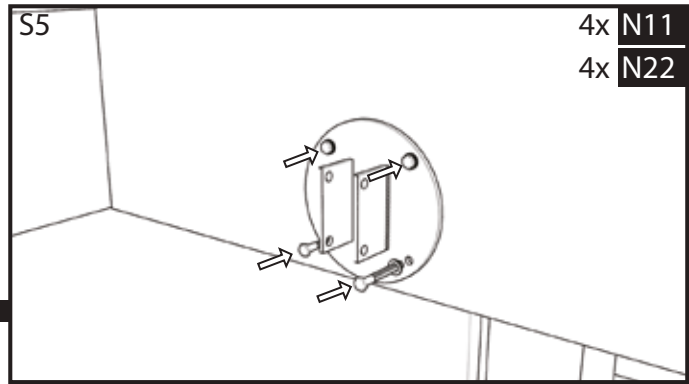


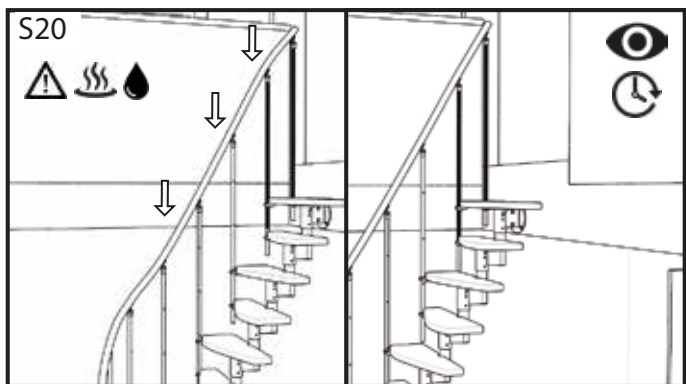
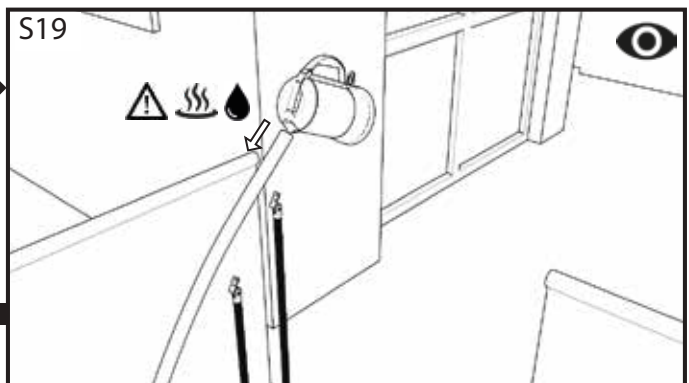
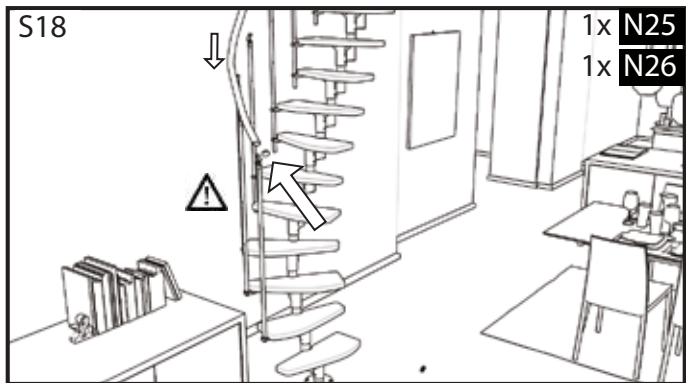
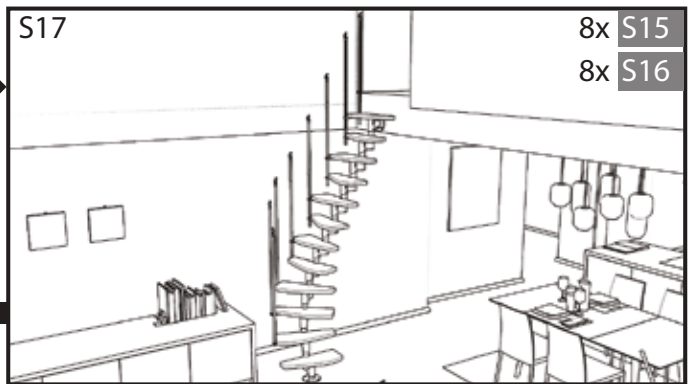
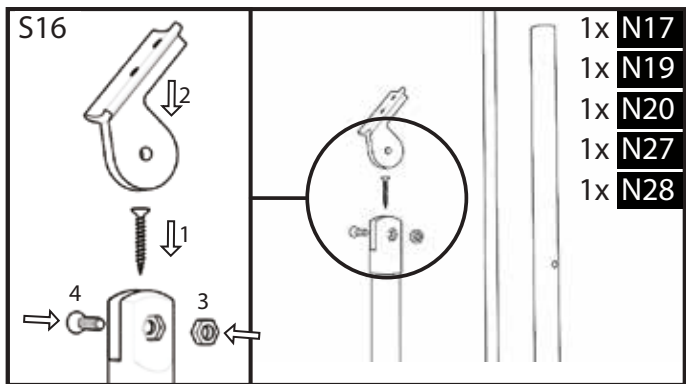
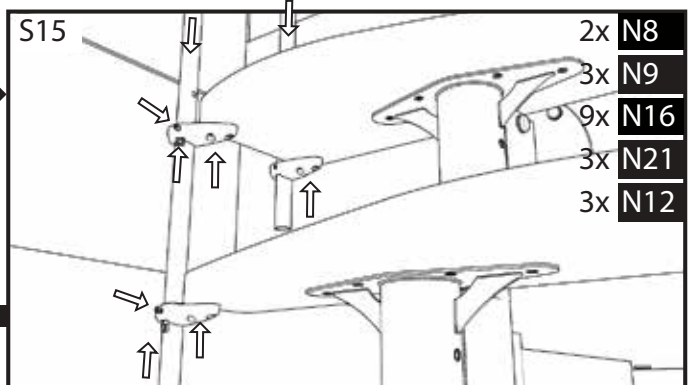
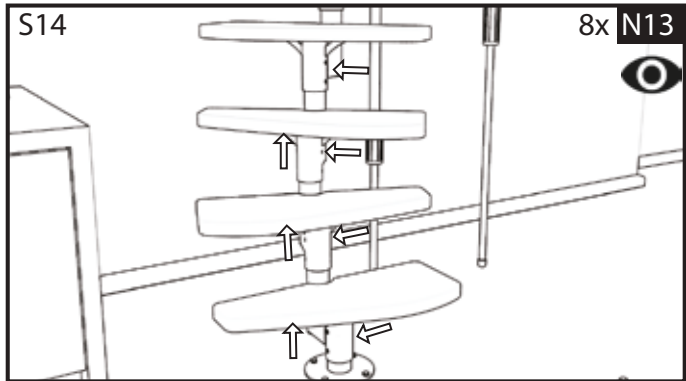
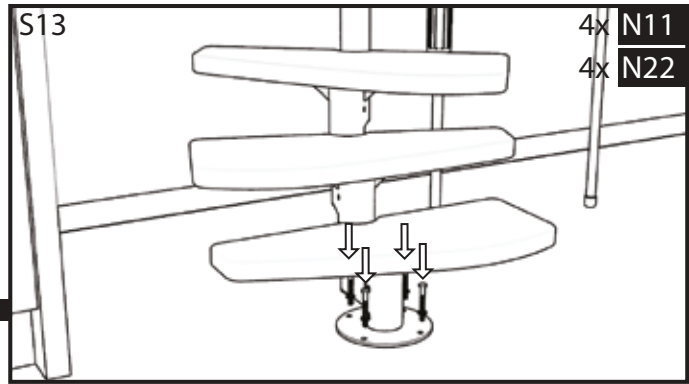
H:h

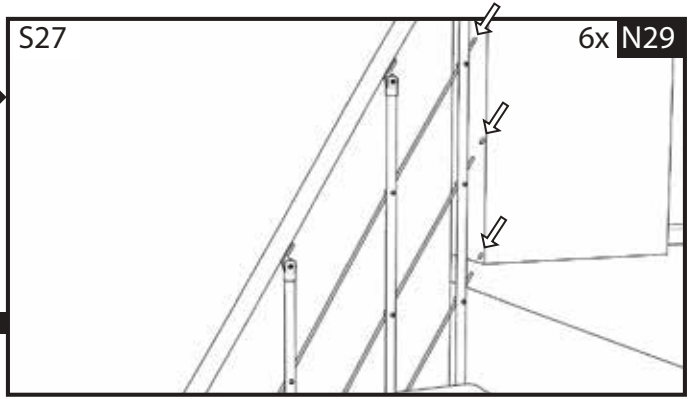
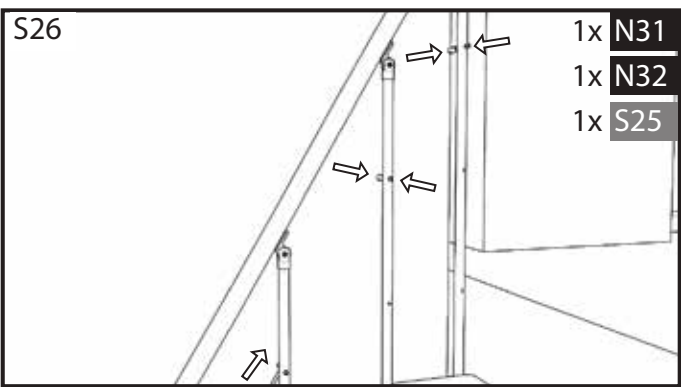
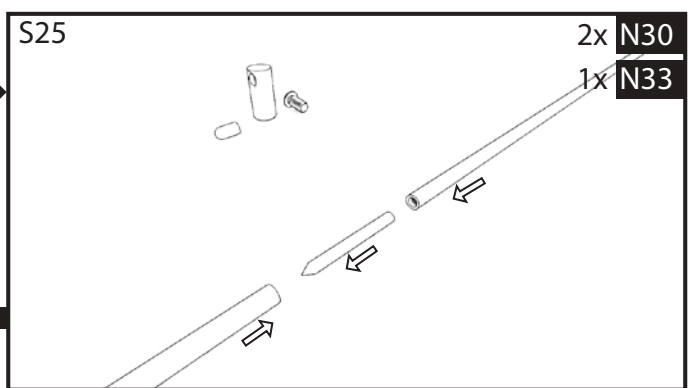
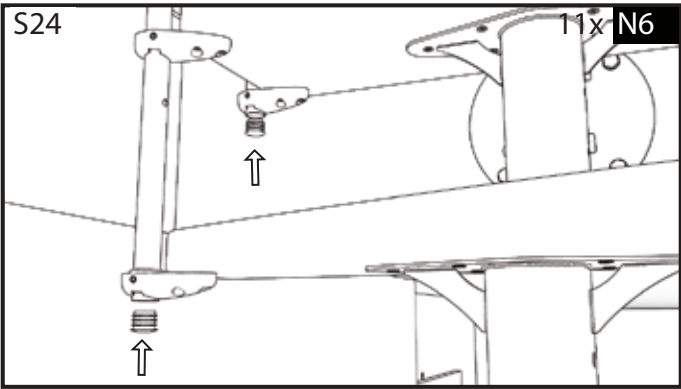
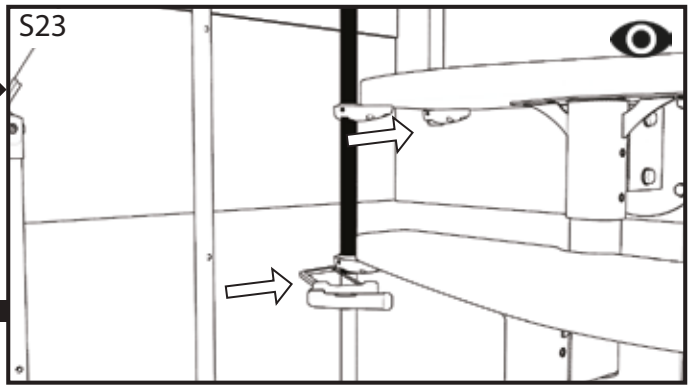
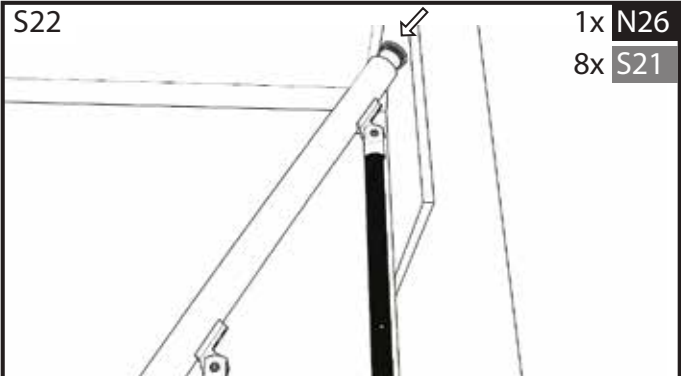
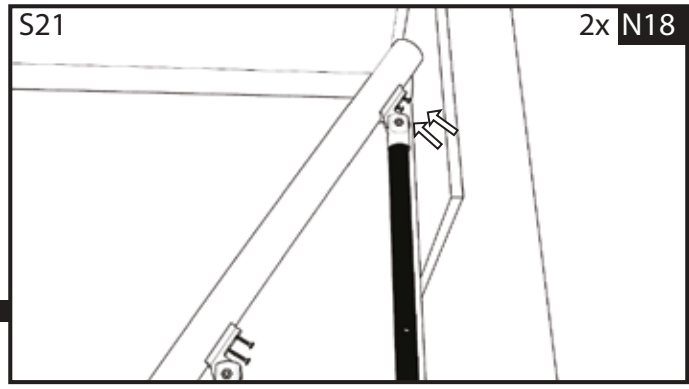
$h_{max} = 226mm$
 $h_{min} = 172mm$

$H_{max} = 2938mm$
(13 x h_{max})
 $H_{min} = 2236mm$
(13 x h_{min})









OK!