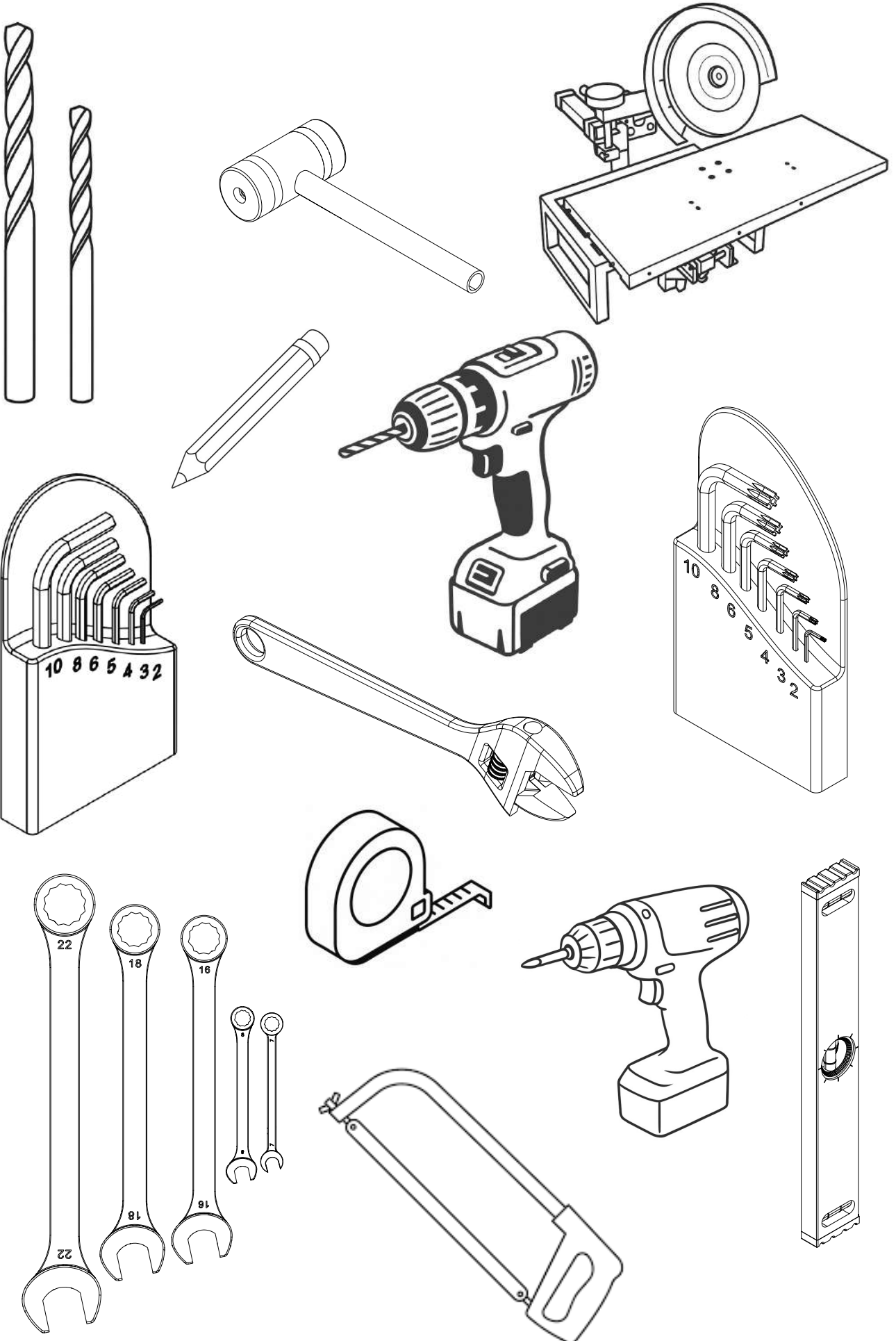
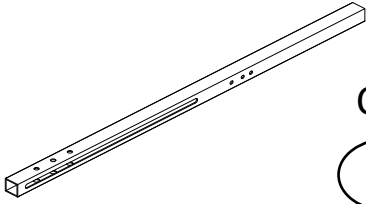
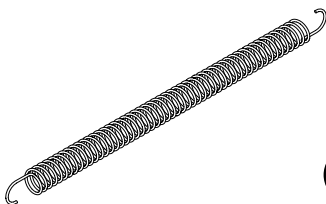
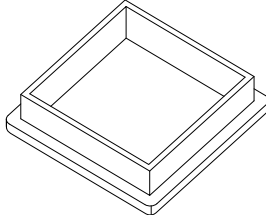
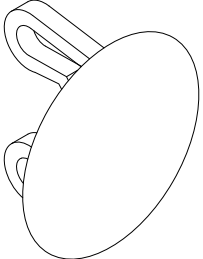
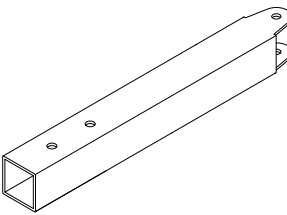
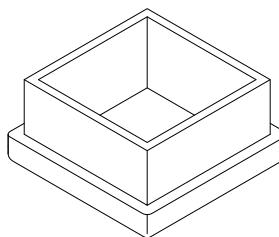
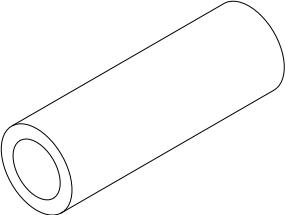
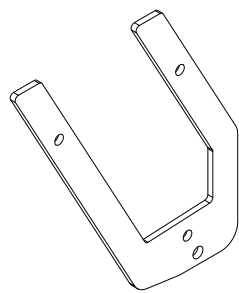
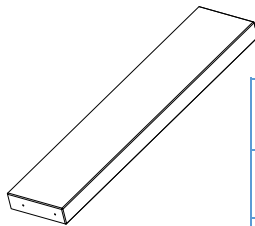

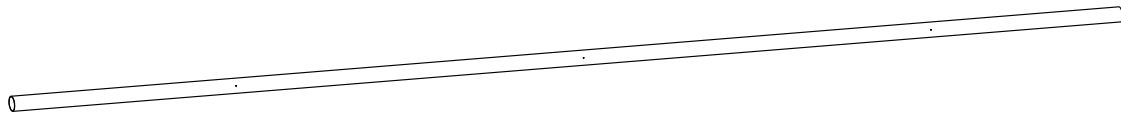




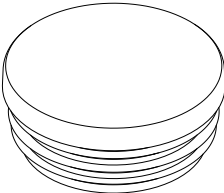
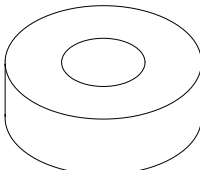
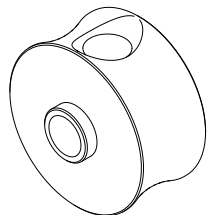
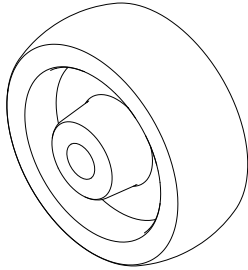
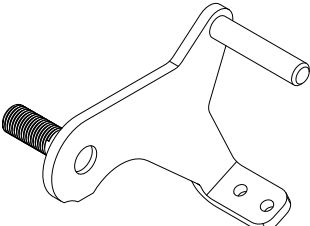
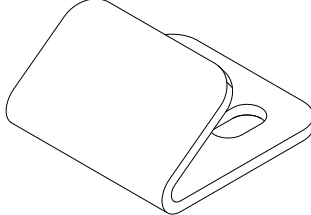
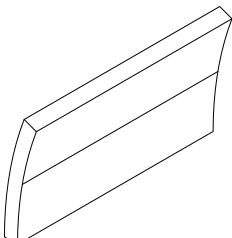
TOOLS:-



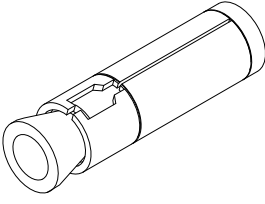
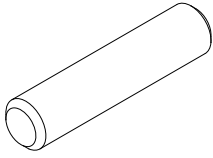
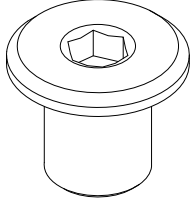
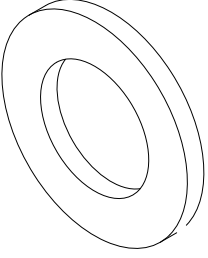
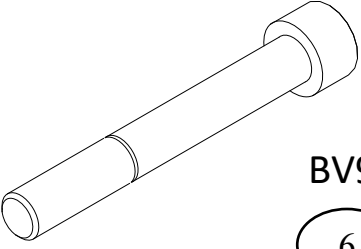
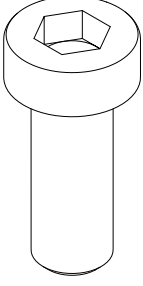
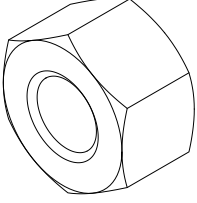
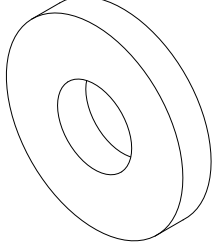
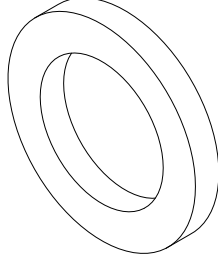
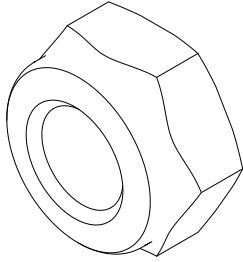
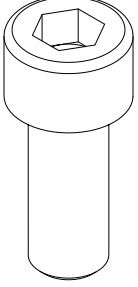
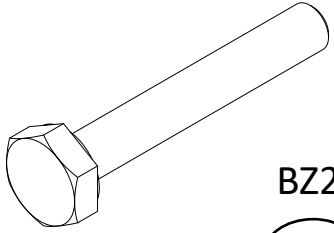
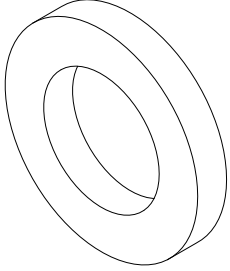
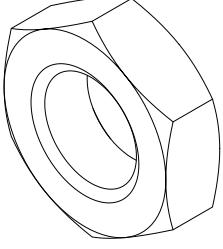
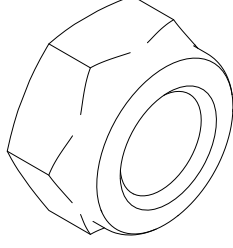
PART LISTS:-

| COMPONENTS | CODES | COMPONENTS | CODES | COMPONENTS | CODES | | | | | | |
|---|-------------|--|------------|---|---|----|----|--------|--------|--------|------------|
| 45mm X 45mm X 1250mm  | CN5 (2) | Ø27.5mm X 234mm  | BZ5 (2) | 45mm X 45mm  | BV8 (4) | | | | | | |
| Ø67.5mm X 14mm  | BP4 (18) | 30mm X 30mm X 245mm  | CN4 (6) | 30mm X 30mm  | BM8 (6) | | | | | | |
| Ø15mm X 45mm  | BZ6 (2) | 325mm X 156mm X 6mm  | N89 (2) | 650mm X 140mm X 40mm  | L83 <table border="1" data-bbox="1300 1108 1476 1321"> <tr><td>10</td><td>9</td></tr> <tr><td>11</td><td>10</td></tr> <tr><td>12</td><td>11</td></tr> </table> | 10 | 9 | 11 | 10 | 12 | 11 |
| 10 | 9 | | | | | | | | | | |
| 11 | 10 | | | | | | | | | | |
| 12 | 11 | | | | | | | | | | |
| 156mm X 6mm  | | | | | | | | | | | |
| <table border="1" data-bbox="199 1556 774 1691"> <tr><td>10</td><td>11</td><td>12</td></tr> <tr><td>2329mm</td><td>2590mm</td><td>2845mm</td></tr> </table> | | | | | 10 | 11 | 12 | 2329mm | 2590mm | 2845mm | N88 (2) |
| 10 | 11 | 12 | | | | | | | | | |
| 2329mm | 2590mm | 2845mm | | | | | | | | | |
| Ø40mm X 2500mm  | | | | | | | | | | | |
| | | | | | A77 (2) | | | | | | |

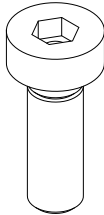
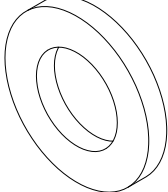
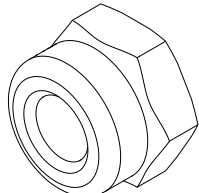
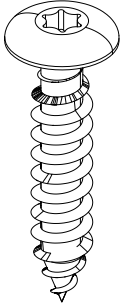
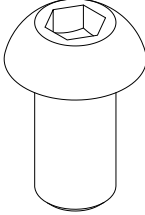
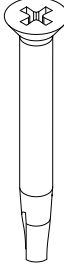
PART LISTS:-

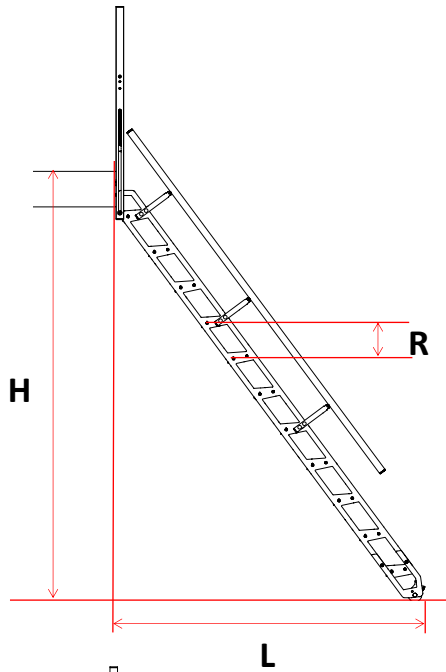
| COMPONENTS | CODES | COMPONENTS | CODES | COMPONENTS | CODES |
|--|---------------------|---|----------------------|---|---------------------|
| <p>Ø40mm X 17mm</p>  | <p>A43</p> <p>4</p> | <p>Ø20mm X Ø8.5mm X 6.9mm</p>  | <p>BP1</p> <p>12</p> | <p>Ø25mm X 16mm</p>  | <p>BP2</p> <p>6</p> |
| <p>Ø80mm X 40mm</p>  | <p>D95</p> <p>2</p> | <p>85mm X 80mm X 4mm</p>  | <p>N90</p> <p>1</p> | <p>26.5mm X 13.5mm X 25mm</p>  | <p>D96</p> <p>1</p> |
| <p>18mm X 36mm X 2mm</p>  | <p>L80</p> <p>1</p> | | | | |
| | | | | | |
| | | | | | |

FASTENERS:-

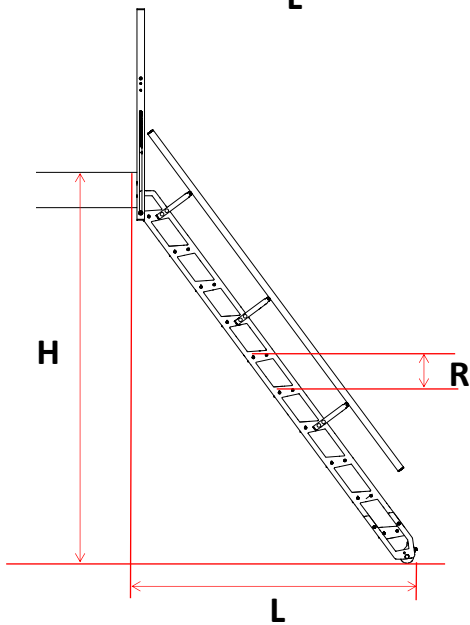
| COMPONENTS | CODES | COMPONENTS | CODES | COMPONENTS | CODES |
|--|----------------------|--|---------------------|--|---------------------|
| <p>Ø16mm X 60mm</p>  | <p>B85</p> <p>4</p> | <p>M8 X 35mm</p>  | <p>BV7</p> <p>2</p> | <p>M8mm X 14mm</p>  | <p>BC1</p> <p>4</p> |
| <p>Ø18mm X Ø10.5mm X 1.6mm</p>  | <p>B30</p> <p>12</p> | <p>M10 X 75mm</p>  | <p>BV9</p> <p>6</p> | <p>M6 X 16mm</p>  | <p>BS7</p> <p>6</p> |
| <p>M6</p>  | <p>BT1</p> <p>6</p> | <p>Ø25mm X Ø10.5mm X 4mm</p>  | <p>BZ0</p> <p>4</p> | <p>Ø16mm X Ø10.5mm X 2mm</p>  | <p>BZ1</p> <p>4</p> |
| <p>M10</p>  | <p>BZ3</p> <p>7</p> | <p>M10 X 25mm</p>  | <p>BV6</p> <p>4</p> | <p>M12 X 80mm</p>  | <p>BZ2</p> <p>2</p> |
| <p>Ø20mm X Ø12.5mm X 3mm</p>  | <p>B75</p> <p>8</p> | <p>M12</p>  | <p>B71</p> <p>2</p> | <p>M12</p>  | <p>BZ4</p> <p>2</p> |

FASTENERS:-

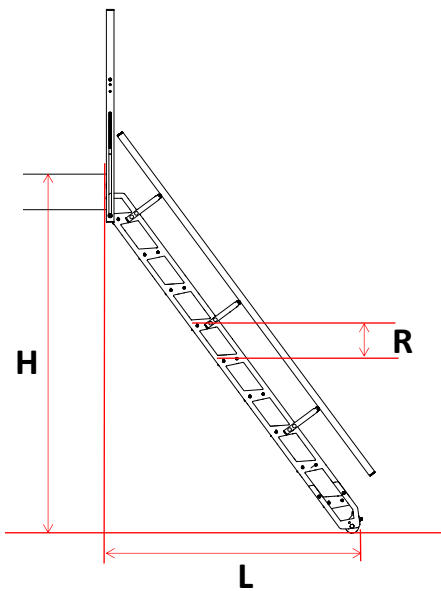
| COMPONENTS | CODES | COMPONENTS | CODES | COMPONENTS | CODES | | | | | | |
|--|---|--|-----------------------|---|-----------------------|----|----|--|------------------------|--|-----------------------|
| <p>M4 X 12mm</p>  | <p>C44</p> <p>(2)</p> | <p>Ø8mm X Ø4.5mm X 1mm</p>  | <p>BS8</p> <p>(6)</p> | <p>M4</p>  | <p>BZ8</p> <p>(2)</p> | | | | | | |
| <p>Ø8mm X 40mm</p>  | <p>L28</p> <table border="1" data-bbox="367 683 542 896"> <tr> <td>10</td> <td>36</td> </tr> <tr> <td>11</td> <td>40</td> </tr> <tr> <td>12</td> <td>44</td> </tr> </table> | 10 | 36 | 11 | 40 | 12 | 44 | <p>M6mm X 12mm</p>  | <p>BP7</p> <p>(12)</p> | <p>M4 X 30MM</p>  | <p>BP3</p> <p>(6)</p> |
| 10 | 36 | | | | | | | | | | |
| 11 | 40 | | | | | | | | | | |
| 12 | 44 | | | | | | | | | | |
| | | | | | | | | | | | |
| | | | | | | | | | | | |
| | | | | | | | | | | | |



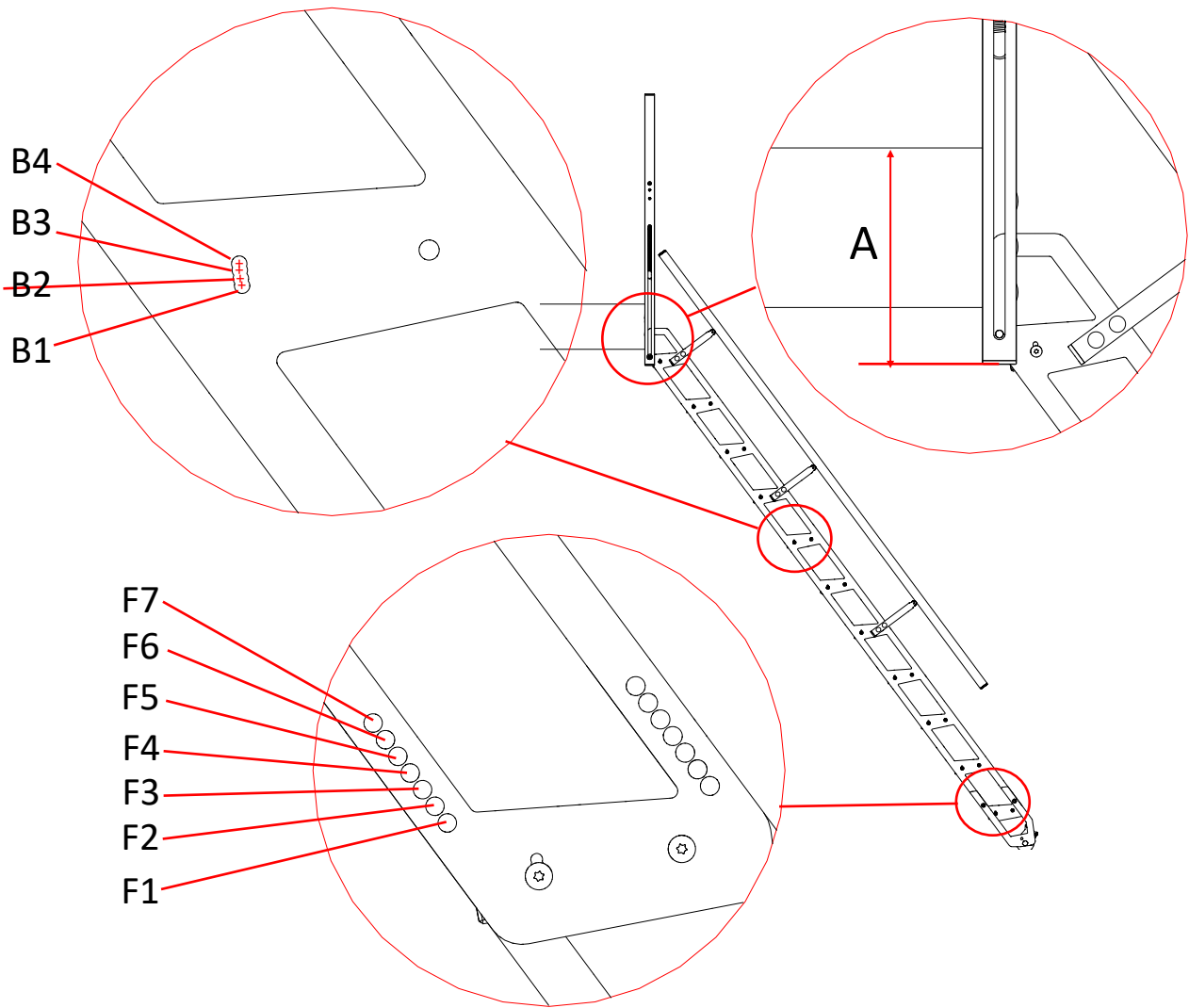
| 12 | | |
|------------|------|-----|
| H | R | L |
| cm | cm | cm |
| 277 to 282 | 23.5 | 138 |
| 271 to 276 | 23 | 147 |
| 265 to 270 | 22.5 | 155 |
| 259 to 264 | 22 | 165 |



| 11 | | |
|------------|------|-----|
| H | R | L |
| cm | cm | cm |
| 253 to 258 | 23.5 | 126 |
| 247 to 252 | 23 | 134 |
| 241 to 246 | 22.5 | 142 |
| 236 to 240 | 22 | 150 |



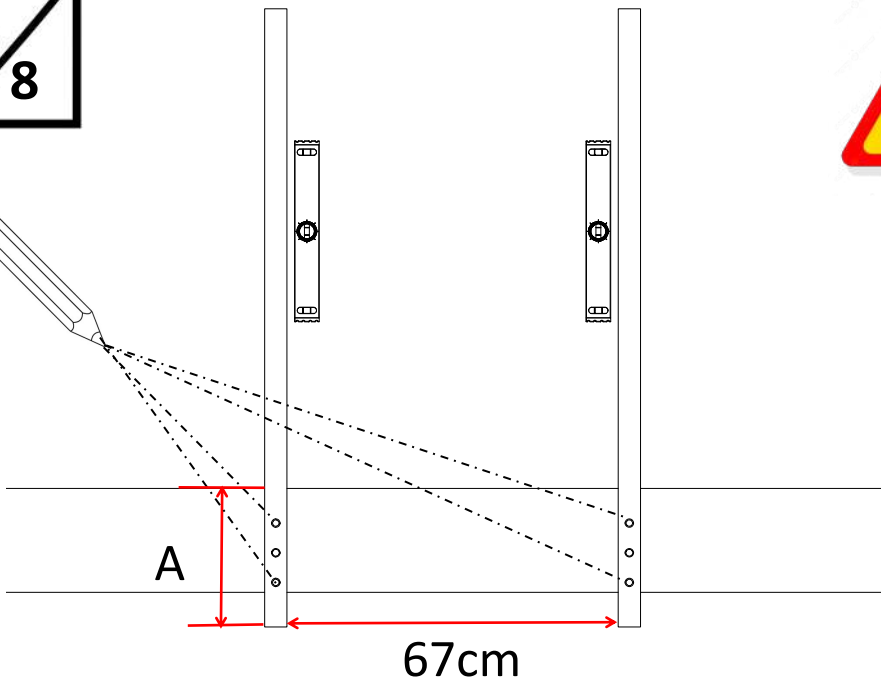
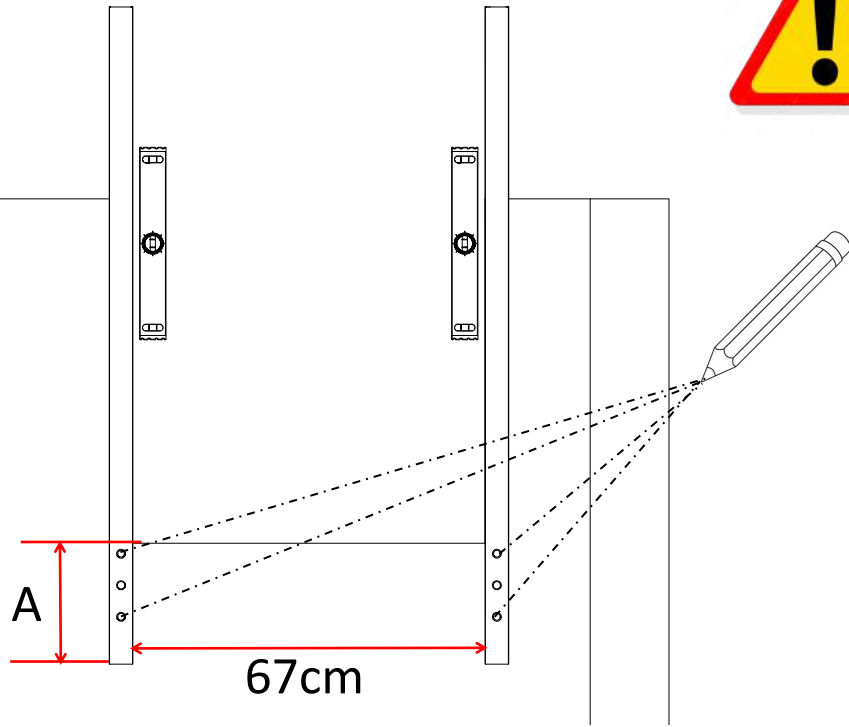
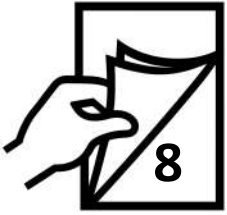
| 10 | | |
|------------|------|-----|
| H | R | L |
| cm | cm | cm |
| 230 to 235 | 23.5 | 114 |
| 224 to 229 | 23 | 121 |
| 218 to 223 | 22.5 | 128 |
| 214 to 217 | 22 | 136 |

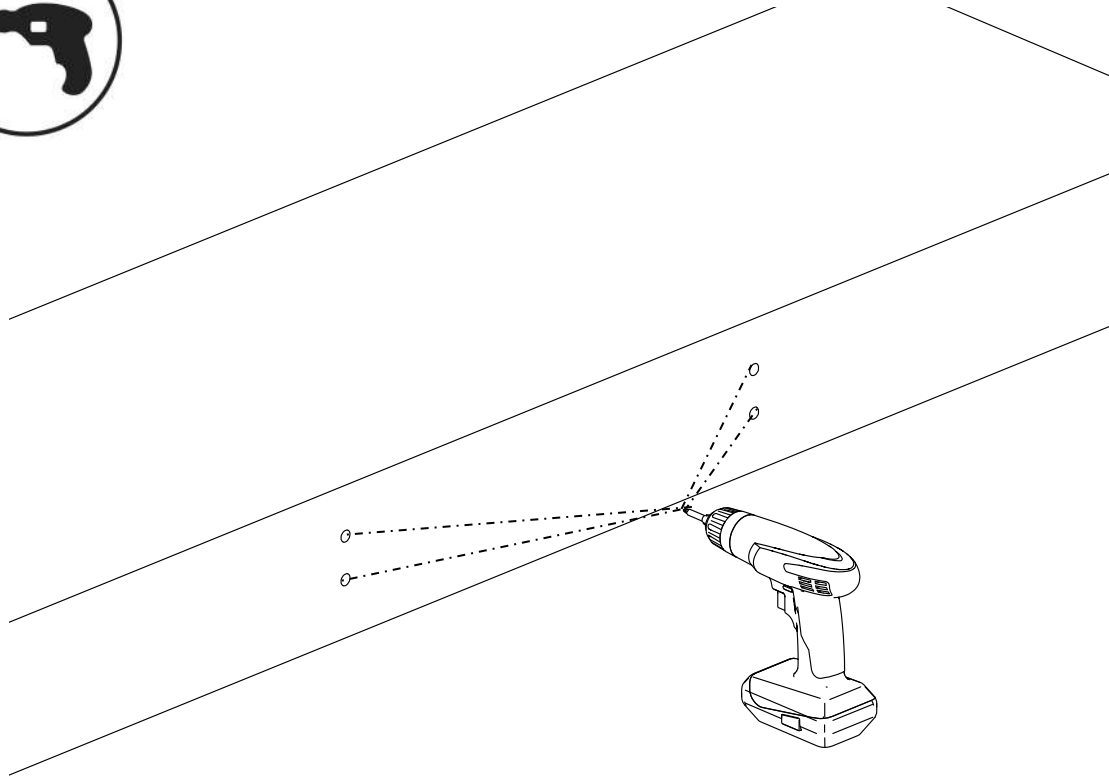
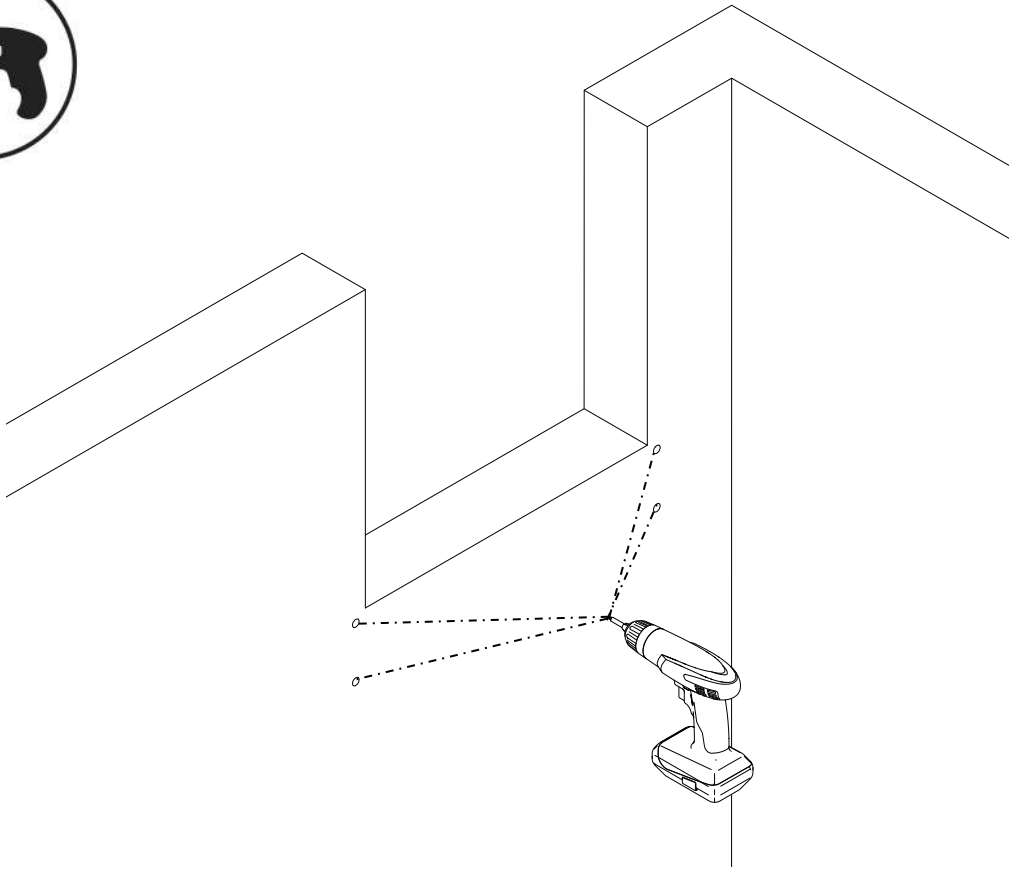


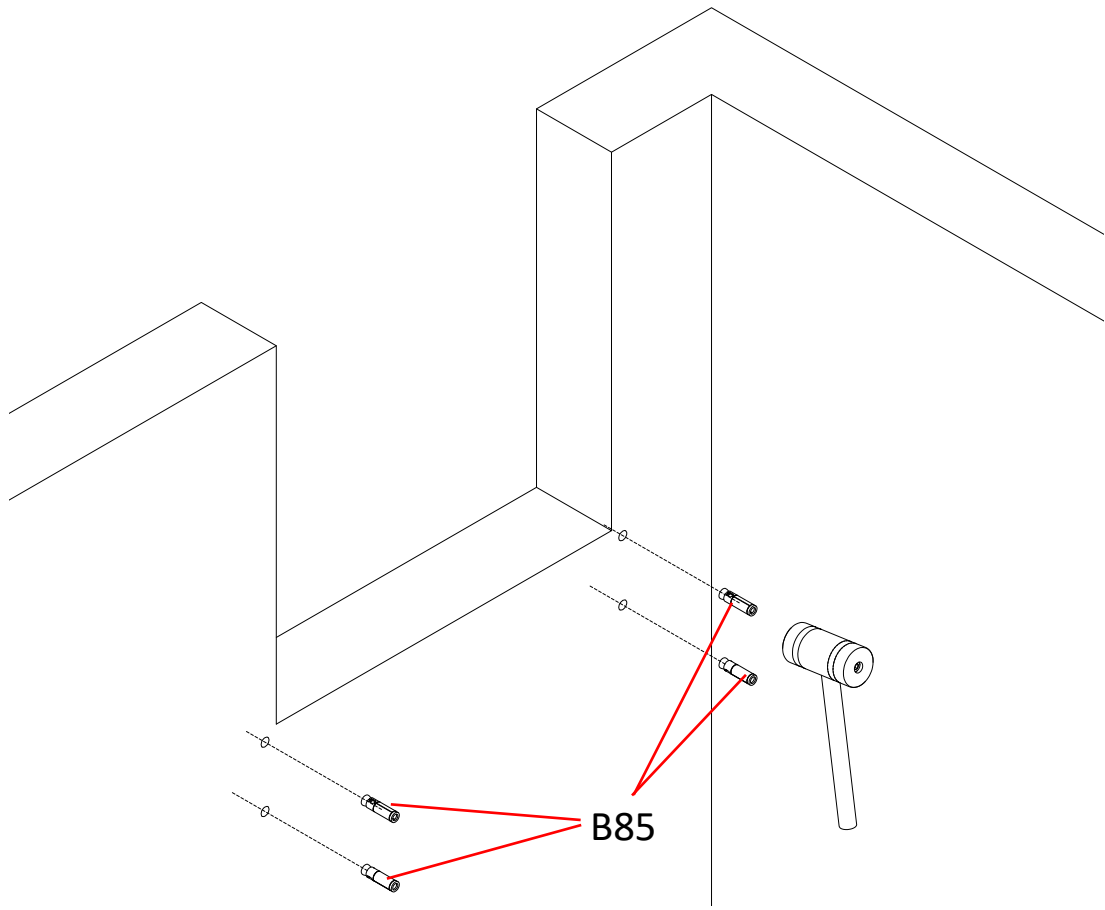
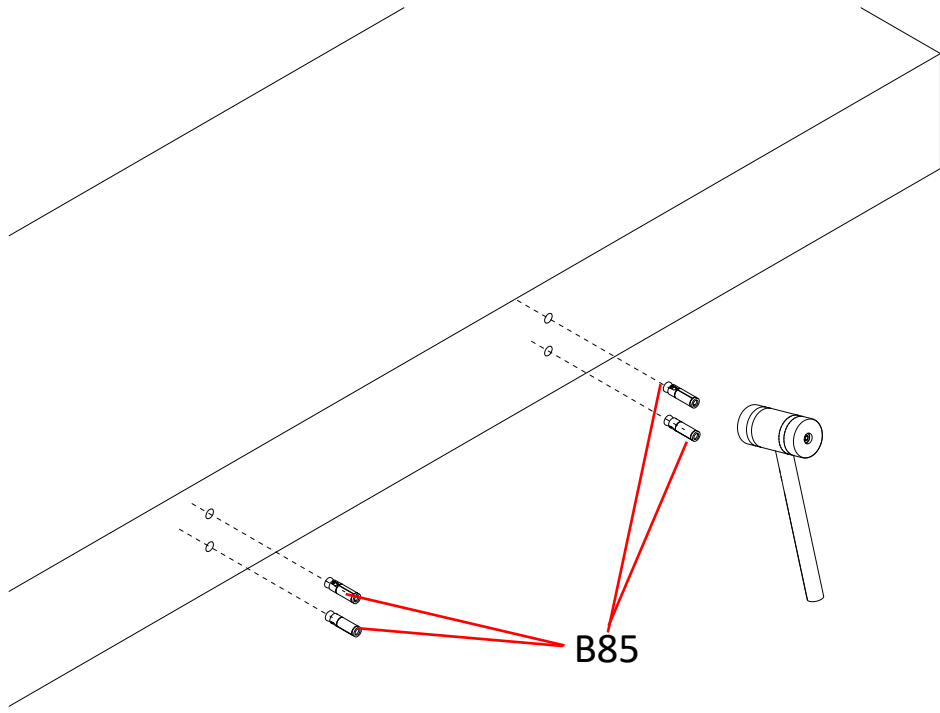
| 10 | | | |
|-----|------|----|----|
| H | A | B | F |
| cm | cm | | |
| 235 | 26 | B1 | F1 |
| 234 | 26 | B1 | F2 |
| 233 | 25 | B1 | F2 |
| 232 | 25 | B1 | F3 |
| 231 | 24 | B1 | F3 |
| 230 | 23 | B1 | F3 |
| 229 | 25.5 | B2 | F2 |
| 228 | 25.5 | B2 | F3 |
| 227 | 24.5 | B2 | F3 |
| 226 | 24.5 | B2 | F4 |
| 225 | 23.5 | B2 | F4 |
| 224 | 23.5 | B2 | F5 |
| 223 | 25 | B3 | F3 |
| 222 | 25 | B3 | F4 |
| 221 | 24 | B3 | F4 |
| 220 | 24 | B3 | F5 |
| 219 | 23 | B3 | F5 |
| 218 | 22 | B3 | F5 |
| 217 | 23.5 | B3 | F3 |
| 216 | 23.5 | B4 | F4 |
| 215 | 22.5 | B4 | F4 |
| 214 | 22.5 | B4 | F5 |

| 11 | | | |
|-----|------|----|----|
| H | A | B | F |
| cm | cm | | |
| 258 | 25.5 | B1 | F1 |
| 257 | 25.5 | B1 | F2 |
| 256 | 24.5 | B1 | F3 |
| 255 | 24.5 | B1 | F3 |
| 254 | 23.5 | B1 | F3 |
| 253 | 22.5 | B1 | F3 |
| 252 | 25 | B2 | F2 |
| 251 | 25 | B2 | F3 |
| 250 | 24 | B2 | F3 |
| 249 | 24 | B2 | F4 |
| 248 | 23 | B2 | F4 |
| 247 | 23 | B2 | F5 |
| 246 | 25 | B3 | F3 |
| 245 | 25 | B3 | F4 |
| 244 | 24 | B3 | F4 |
| 243 | 24 | B3 | F5 |
| 242 | 23 | B3 | F5 |
| 241 | 22 | B3 | F5 |
| 240 | 24.5 | B4 | F3 |
| 239 | 24.5 | B4 | F4 |
| 238 | 23.5 | B4 | F4 |
| 237 | 23.5 | B4 | F5 |
| 236 | 22.5 | B4 | F5 |

| 12 | | | |
|-----|------|----|----|
| H | A | B | F |
| cm | cm | | |
| 282 | 26 | B1 | F1 |
| 281 | 26 | B1 | F2 |
| 280 | 25 | B1 | F3 |
| 279 | 25 | B1 | F3 |
| 278 | 24 | B1 | F3 |
| 277 | 23 | B1 | F3 |
| 276 | 25.5 | B2 | F1 |
| 275 | 25.5 | B2 | F2 |
| 274 | 24.5 | B2 | F2 |
| 273 | 24.5 | B2 | F3 |
| 272 | 23.5 | B2 | F3 |
| 271 | 23 | B2 | F4 |
| 270 | 25.5 | B3 | F2 |
| 269 | 25.5 | B3 | F3 |
| 268 | 24.5 | B3 | F3 |
| 267 | 24.5 | B3 | F4 |
| 266 | 23.5 | B3 | F4 |
| 265 | 23 | B3 | F4 |
| 264 | 25.5 | B4 | F2 |
| 263 | 25.5 | B4 | F3 |
| 262 | 24.5 | B4 | F4 |
| 261 | 24.5 | B4 | F4 |
| 260 | 23.5 | B4 | F4 |
| 259 | 23.5 | B4 | F5 |

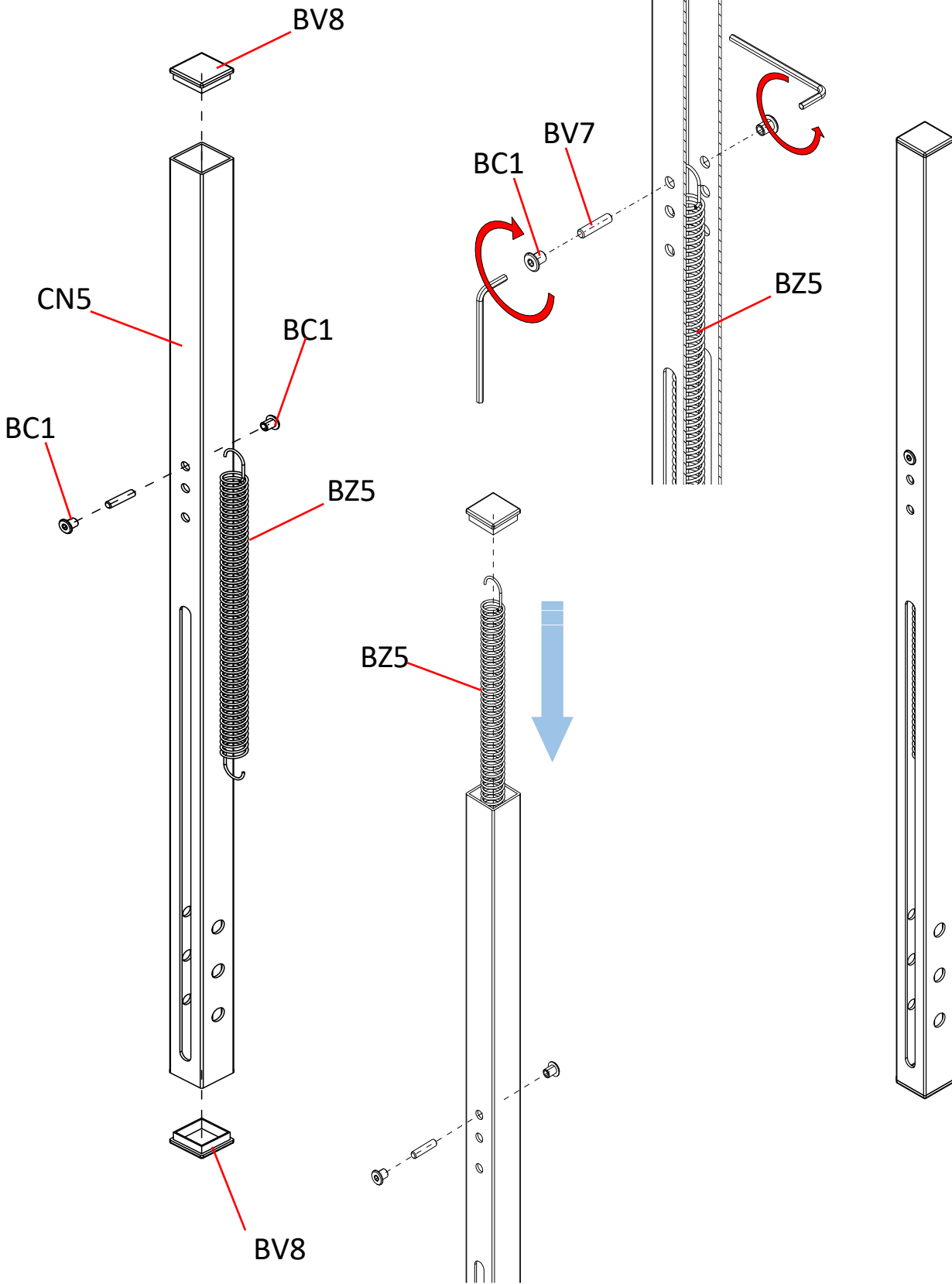






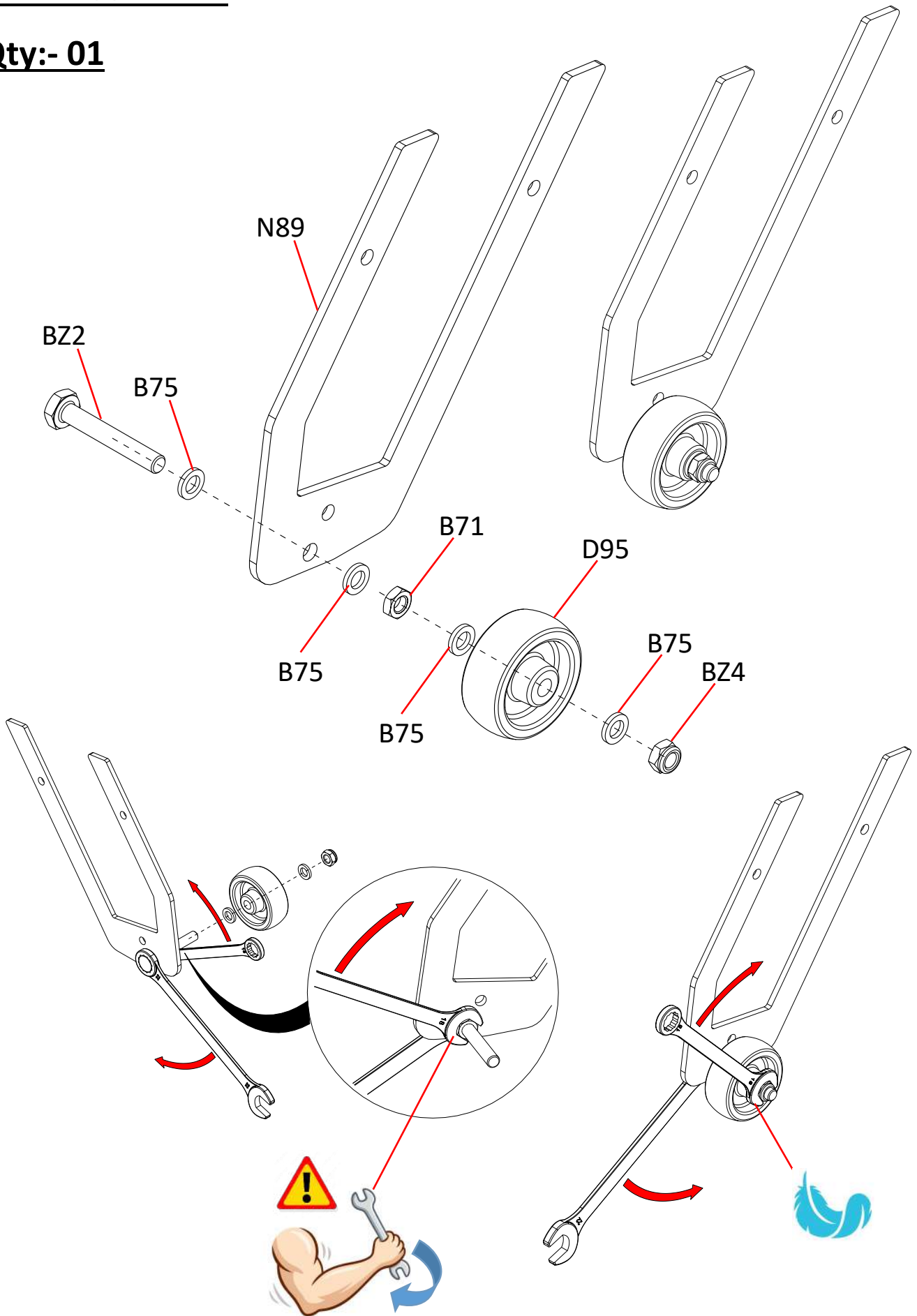
PRE -ASSEMBLY

QTY:- 02



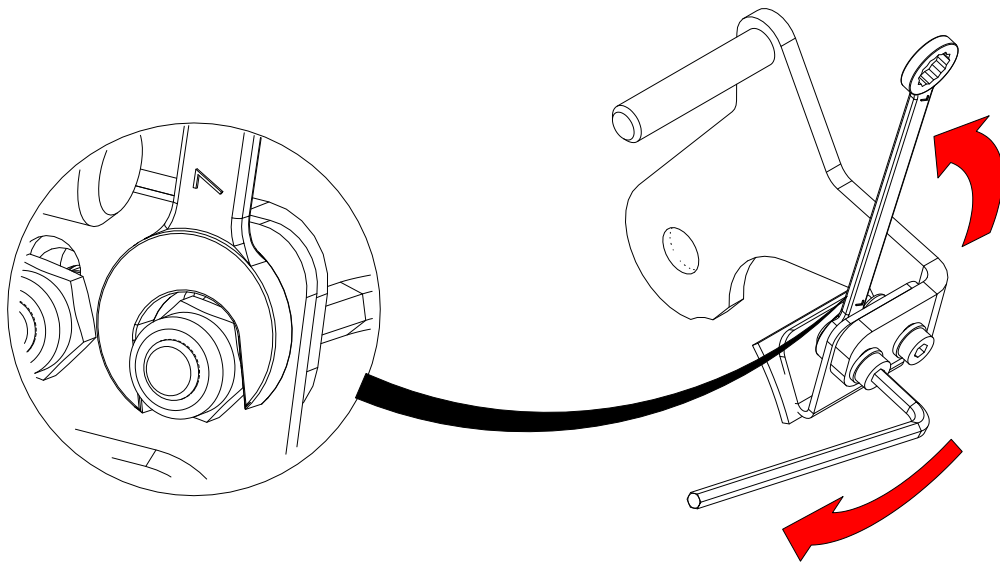
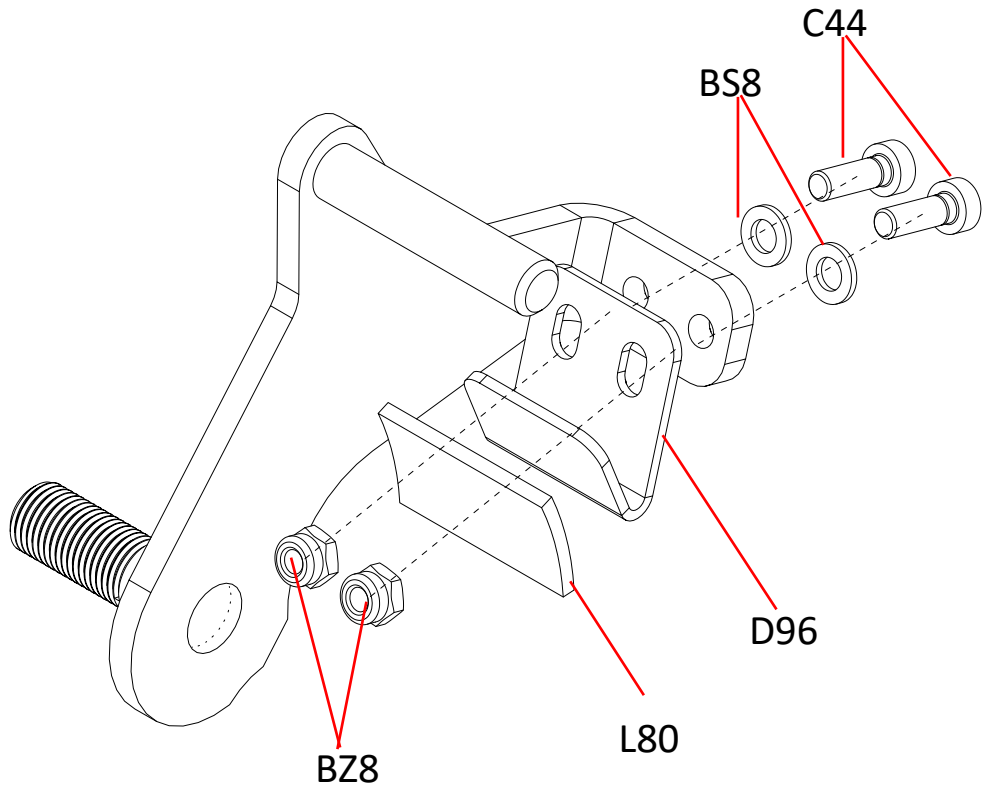
PRE -ASSEMBLY

Qty:- 01



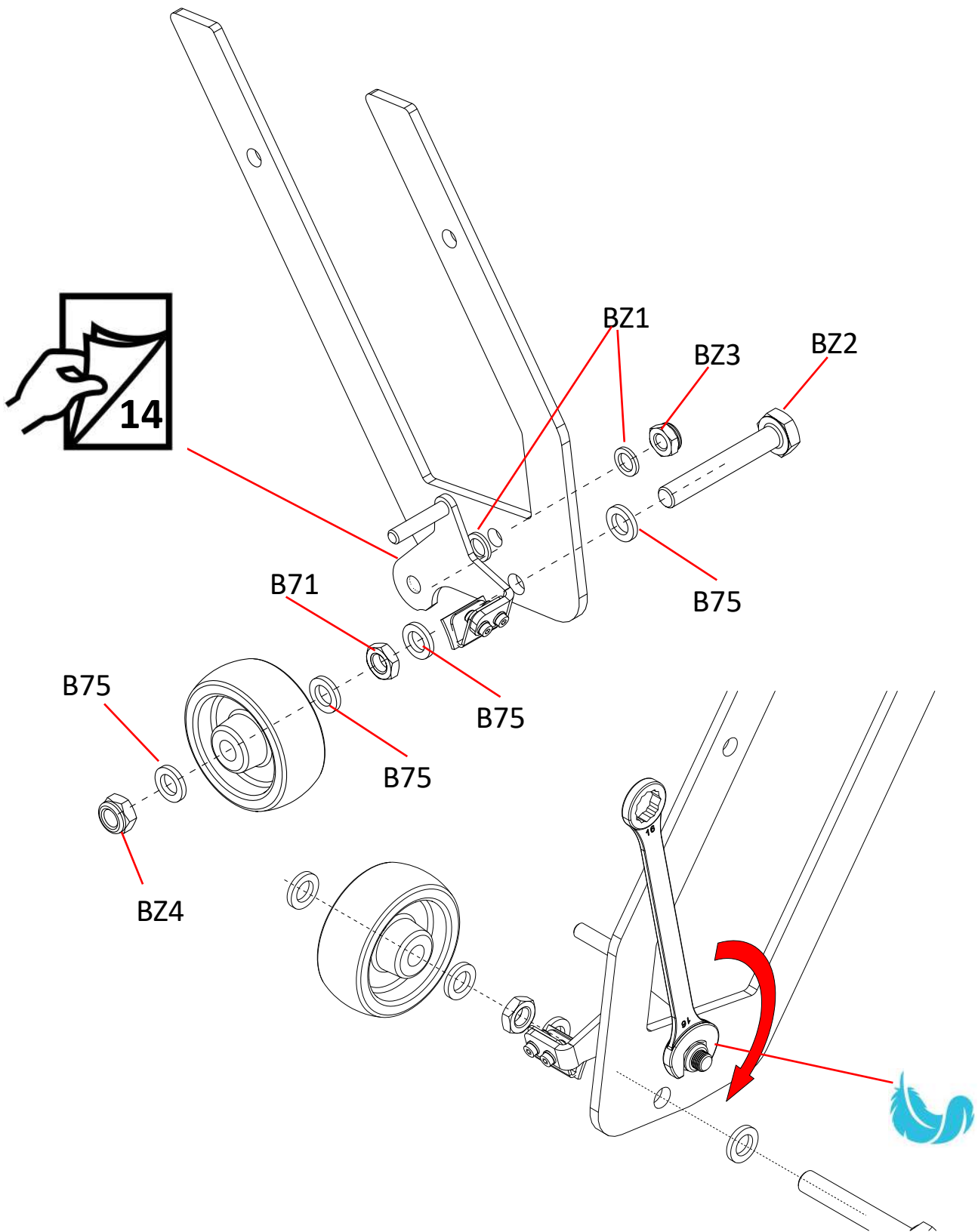
PRE -ASSEMBLY

Qty:- 01



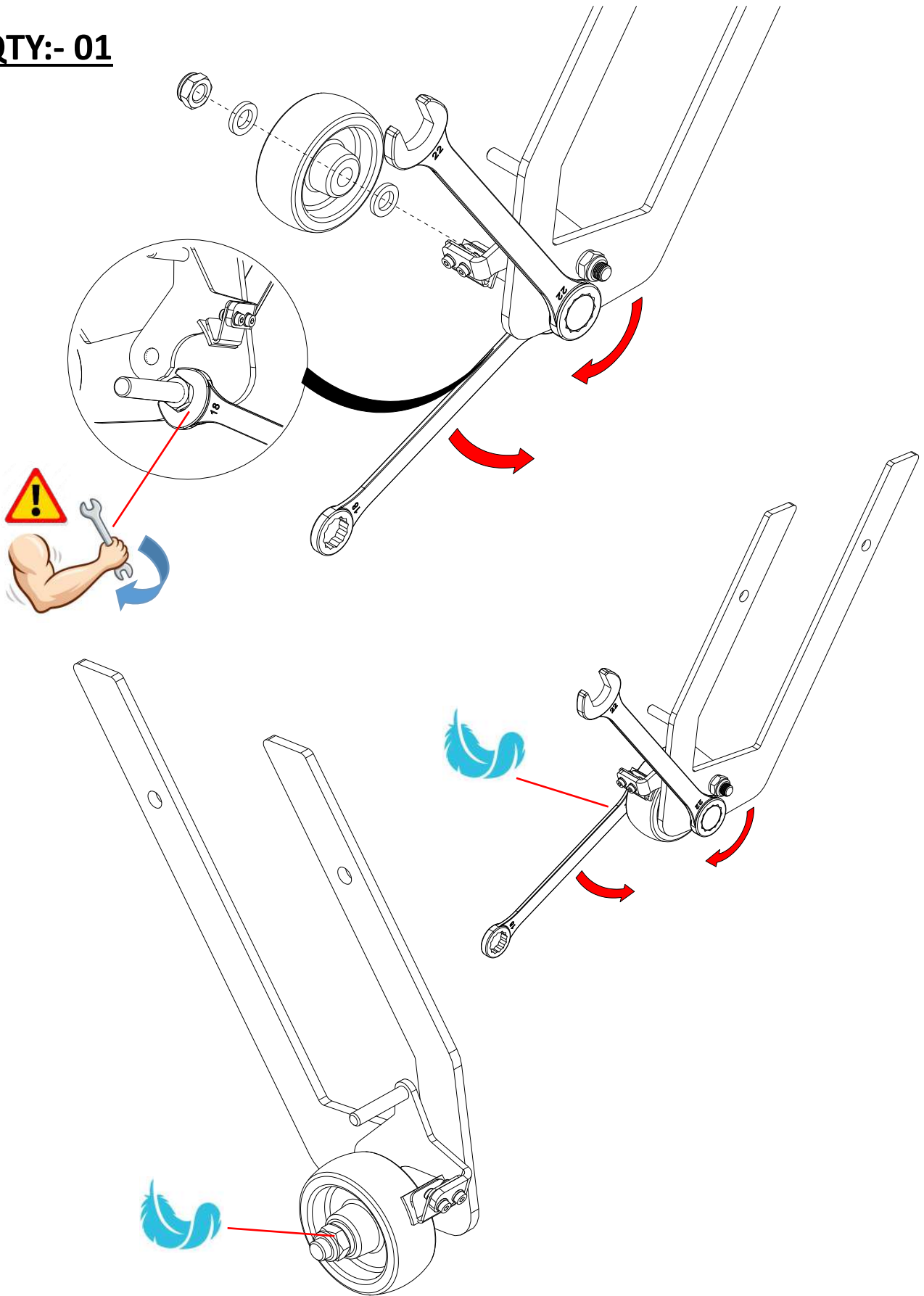
PRE -ASSEMBLY

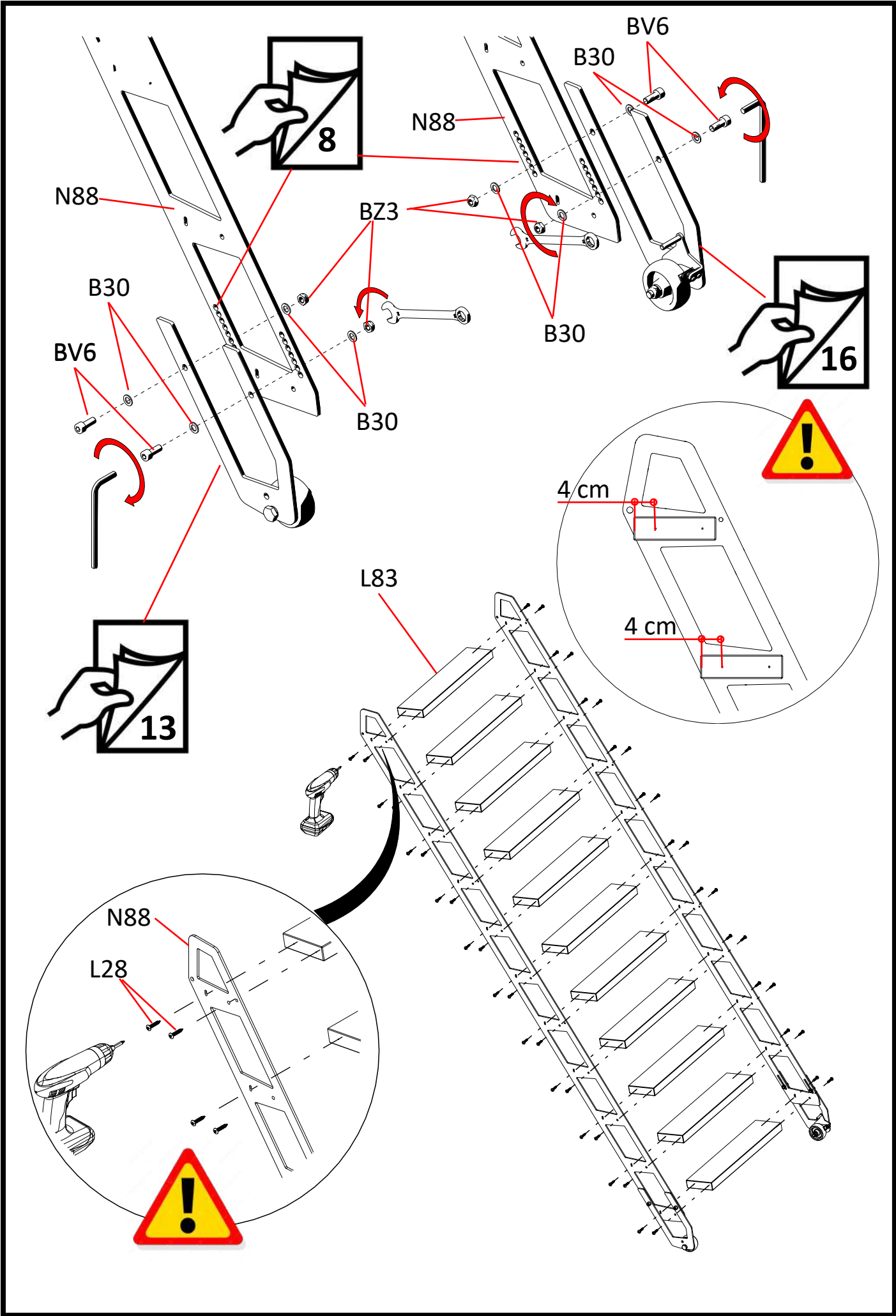
QTY:- 01

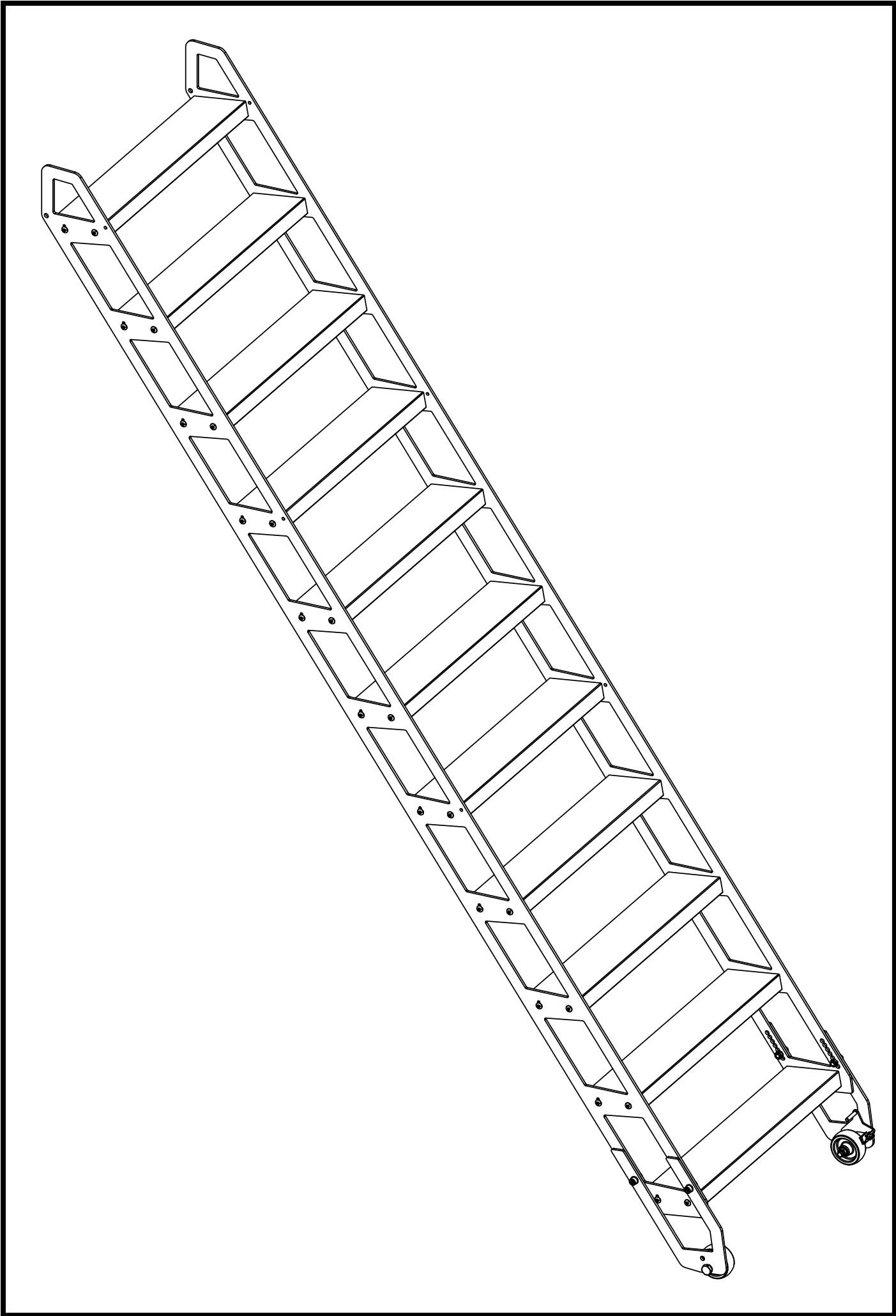


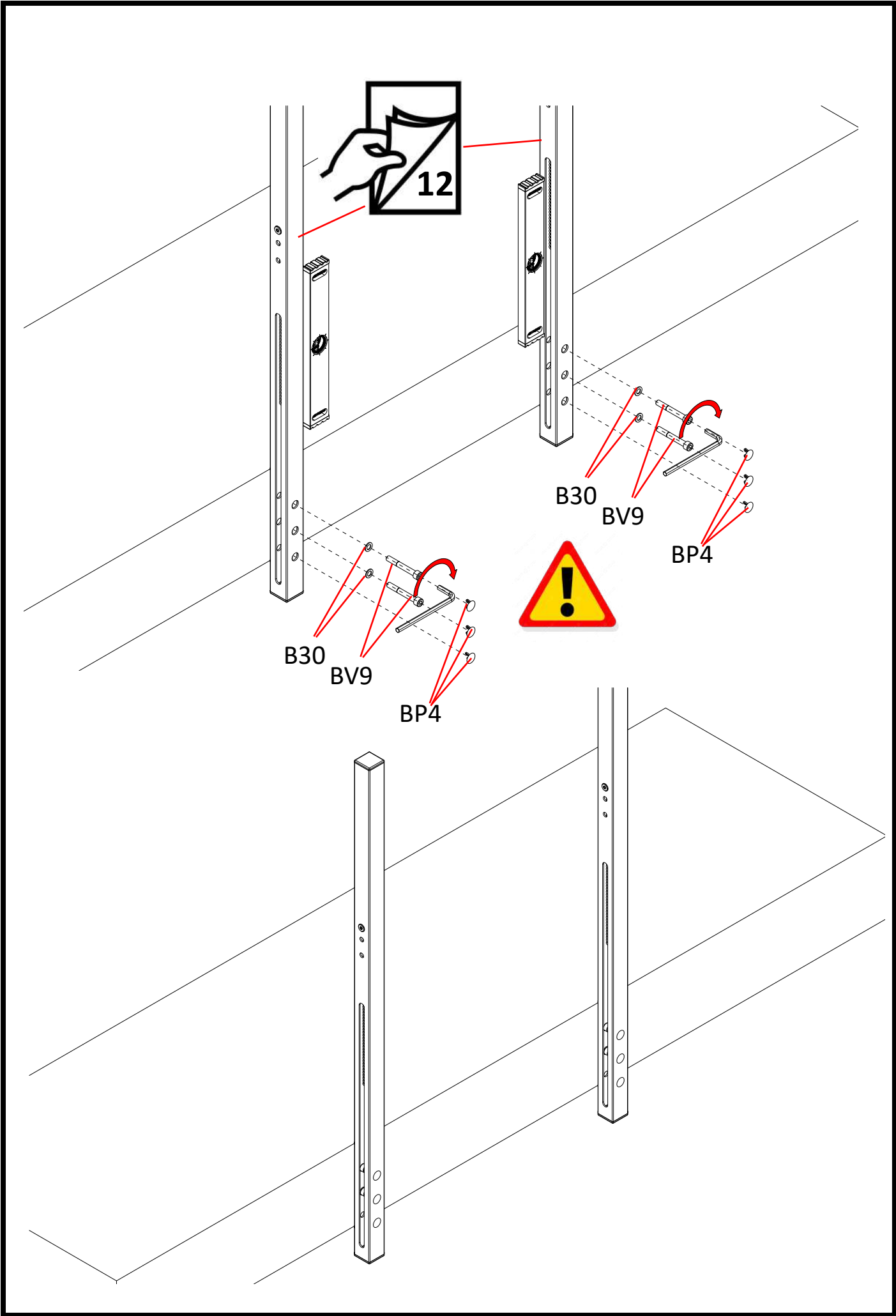
PRE -ASSEMBLY

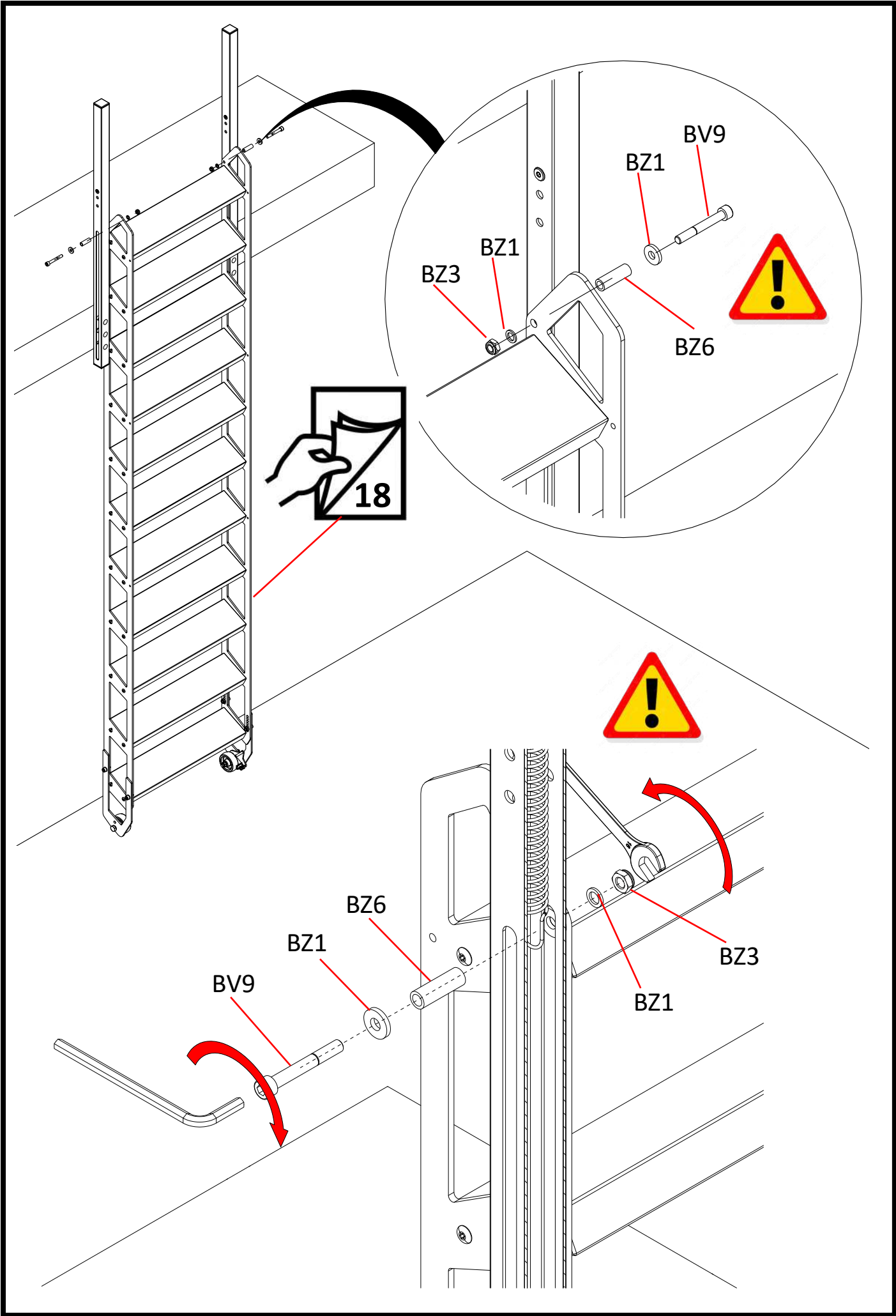
QTY:- 01

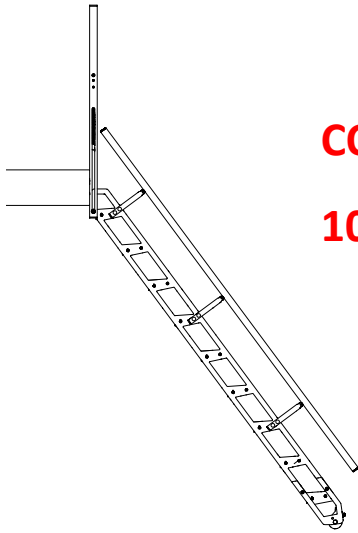






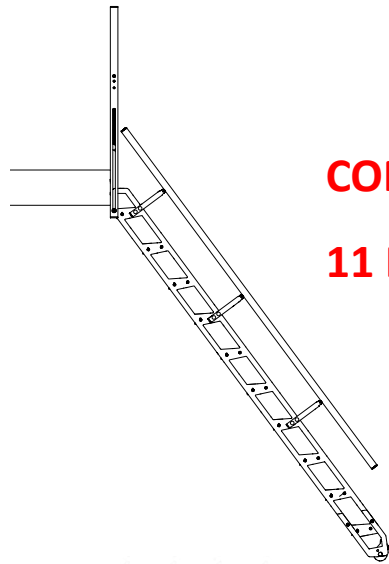






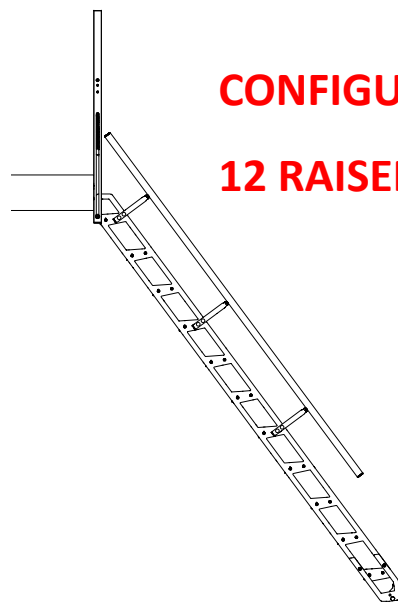
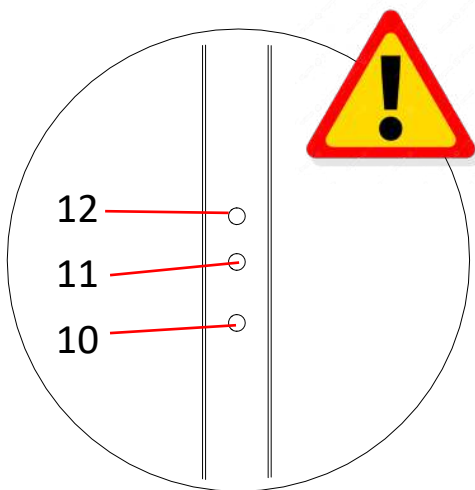
CONFIGURATION 1

10 RAISERS



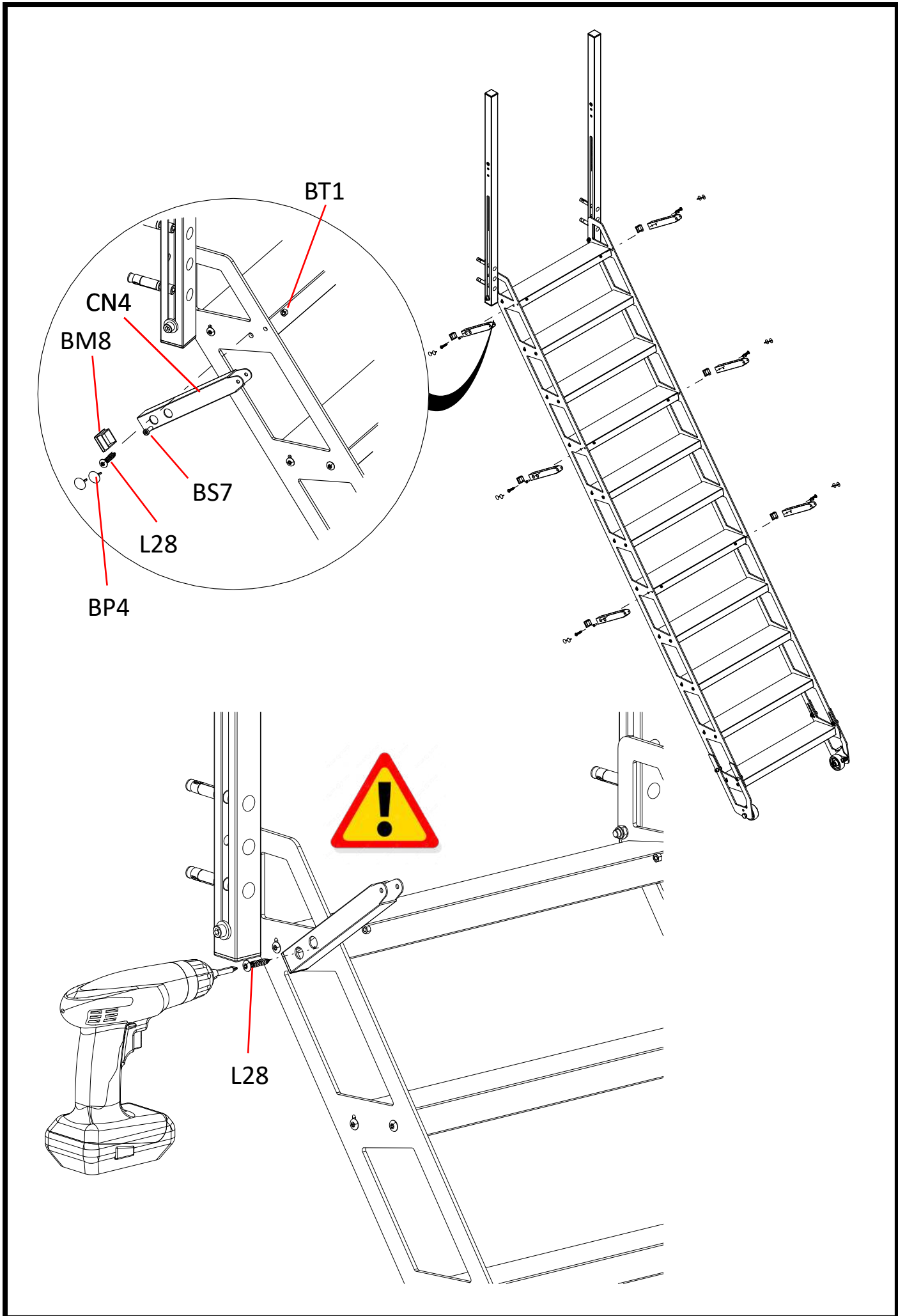
CONFIGURATION 2

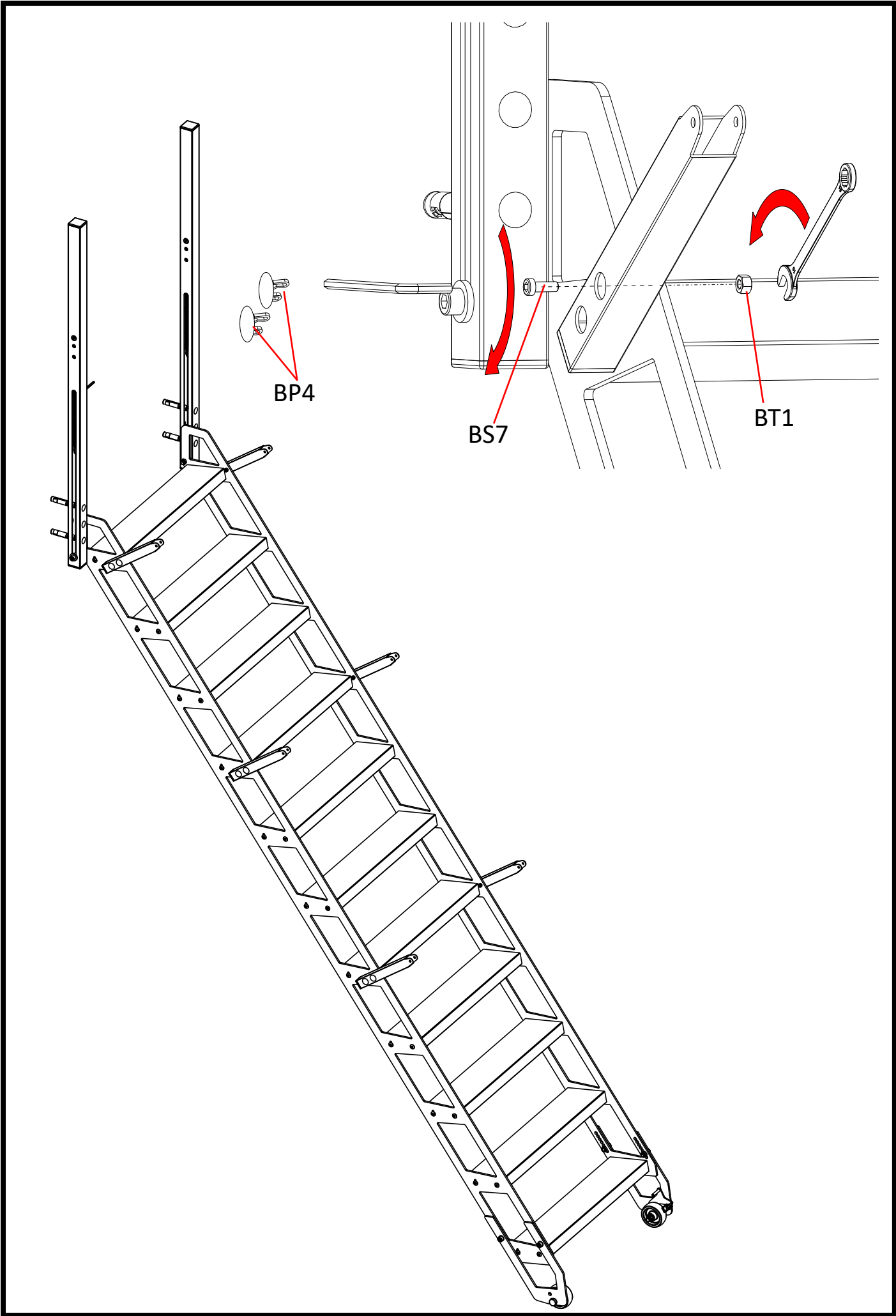
11 RAISERS



CONFIGURATION 3

12 RAISERS





PRE -ASSEMBLY

QTY:- 02

